



Installation Instructions

Soft-Close Comfort accessory

For pocket door kit VARIOpocket

Product description

The Soft-Close accessory is for use with the compatible pocket door framing and hardware kit VARIOpocket only. In case of uncertainty, please contact your supplier. It is suitable for wood or glass doors up to 176 lb (80 kg).

Safety notes

Before assembly, please read the assembly instructions carefully. In case of difficulties in understanding, contact the customer service or your supplier. In order to assemble the purchased product properly, please use the tools indicated on the following page. Since some sheets may have sharp edges, also be sure to protect your hands and work surfaces from cuts or scratches. During assembly, always ensure that you work ergonomically and only assemble alone if you can rule out any risk to your health or other persons. All components were checked for integrity before delivery. No liability is accepted for damage caused by improper assembly or transport.

Required tools

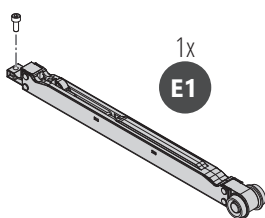


Minimum door widths

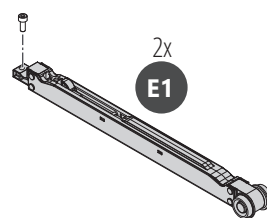
Single side Soft-Close:	24" (610 mm)
Single side Soft-Close + Push-To-Open:	26" (660 mm)
Double side Soft-Close:	34" (860 mm)

Soft-Close accessory for doors up to 176 lb

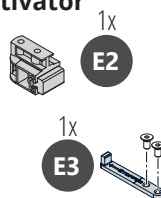
Single side Soft-Close



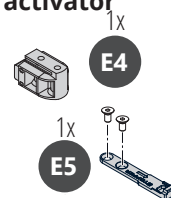
Double side Soft-Close



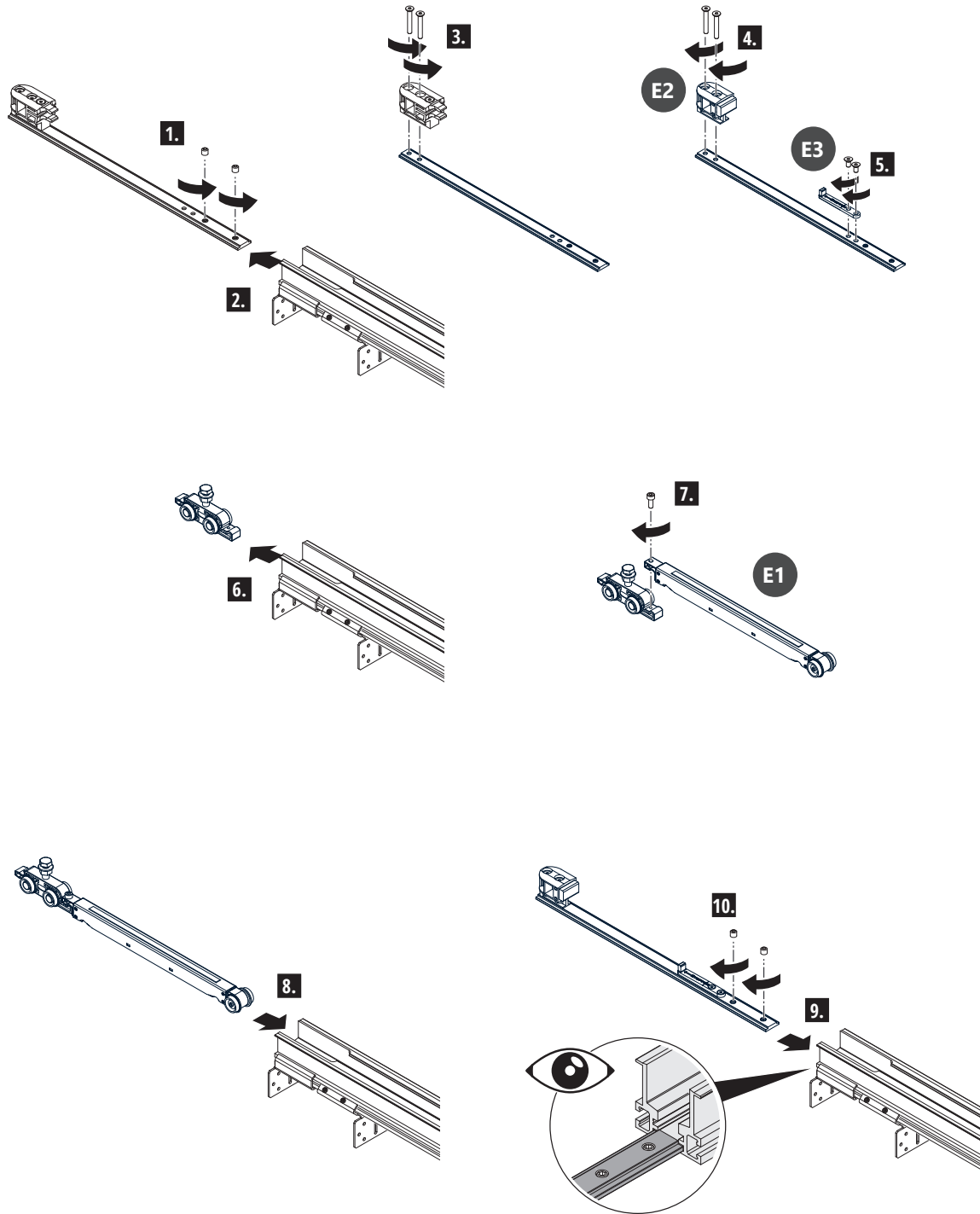
Passage side stopper and activator



Pocket side stopper and activator



1. Passage side



2. Pocket side

