



Installation Instructions
VARIOpocket
Sliding Hardware

With framing kit for pocket doors

Page index

| | |
|---|------|
| Preparation | P.3 |
| Scope of delivery | P.4 |
| Dimensions | P.6 |
| Installation - Track and framing | P.13 |
| Installation - Wood floor guide | P.21 |
| Installation - Standard wood mounts | P.22 |
| Installation - Recessed wood mounts | P.25 |
| Installation - Frameless glass door | P.28 |
| Track-in-Track door stop adjustment | P.32 |

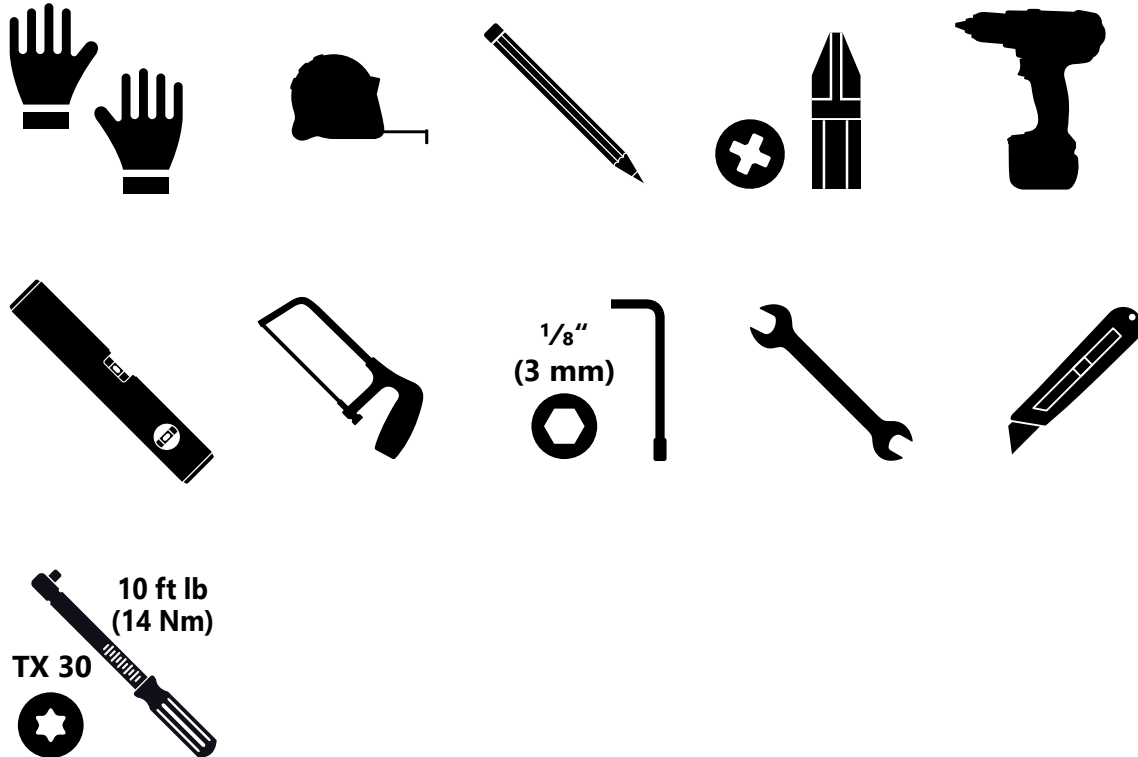
Product description

The pocket door and framing hardware kit VARIOpocket is made for pocket sliding doors in 2x4 stud framing. Depending on accessories and kit, it is suitable for wood or glass doors up to 176 lb (80 kg) or 265 lb (120 kg) with door dimensions up to 40" x 96" (1016 mm x 2438 mm) or 48" x 96" (1220 mm x 2438 mm). In case of uncertainty, please contact your supplier.

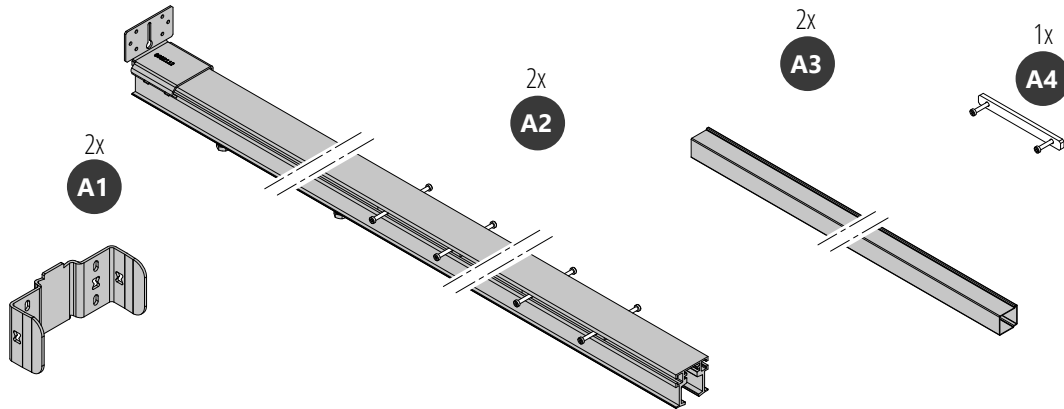
Safety notes

Before assembly, please read the installation instructions carefully. In case of difficulties in understanding, contact the customer service or your supplier. In order to assemble the purchased product properly, please use the tools indicated on the following page. Since some parts may have sharp edges, also be sure to protect your hands and work surfaces from cuts or scratches. During assembly, always ensure that you work ergonomically and only assemble alone if you can rule out any risk to your health or other persons. All components were checked for integrity before delivery. No liability is accepted for damage caused by improper

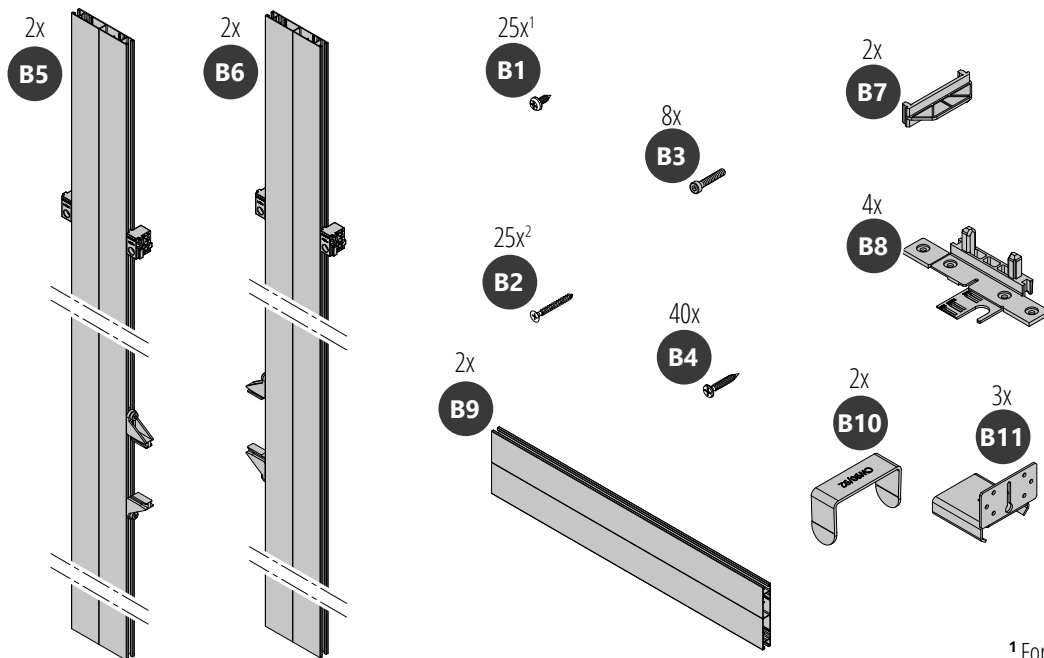
Required tools



Track incl. wheels, track-in-track and hold-in-place stoppers



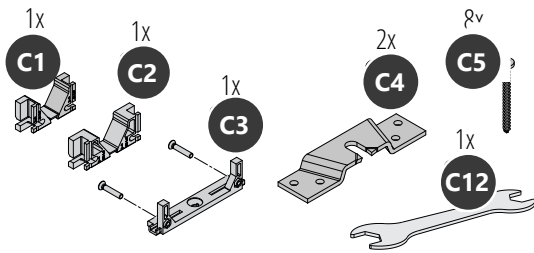
Framing kit



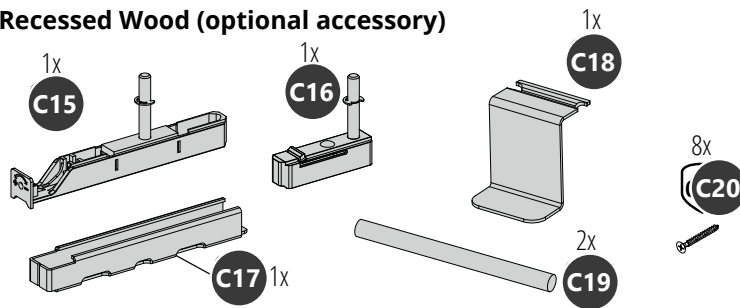
¹ For metal studs
² For 2x4 wood studs

Door hardware

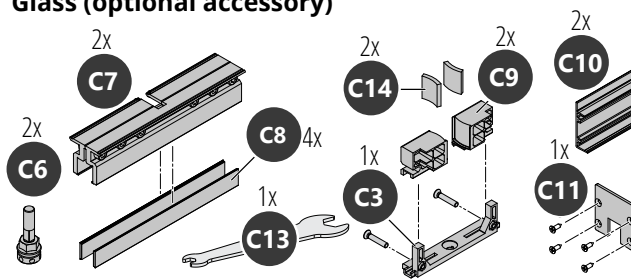
Standard Wood



Recessed Wood (optional accessory)

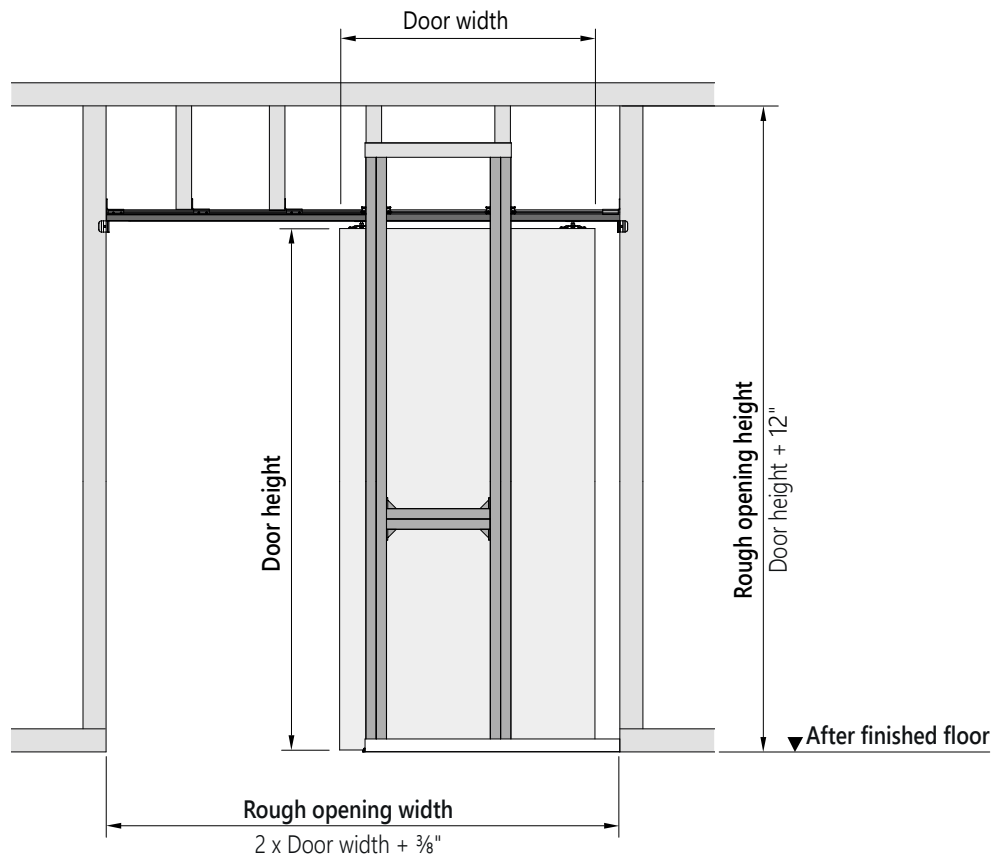


Glass (optional accessory)



Rough opening

One side

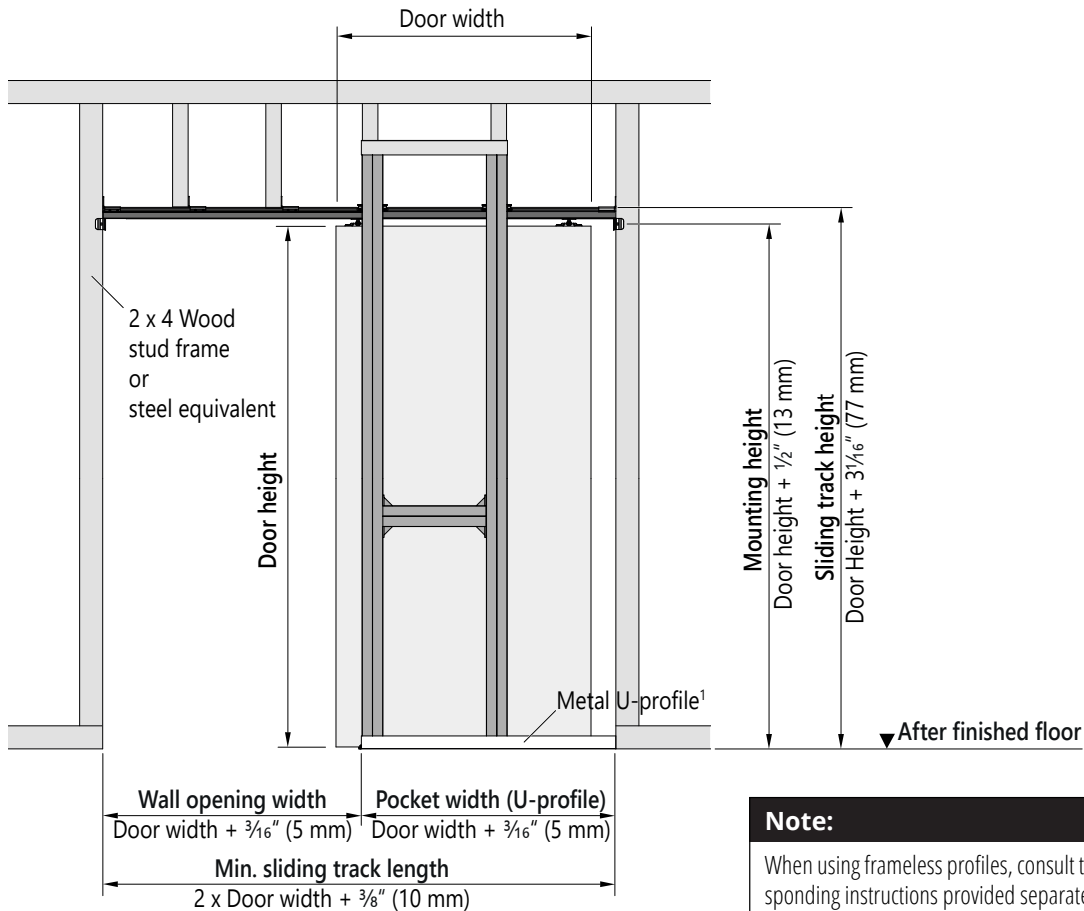


| Door width | Door height | | | | | | | |
|------------|-------------|-----------|----------|-----------|----------|-----------|----------|-----------|
| | 80" | | 82" | | 84" | | 96" | |
| | RO width | RO height | RO width | RO height | RO width | RO height | RO width | RO height |
| 24" | 48 3/8" | 92"* | 48 3/8" | 94"* | 48 3/8" | 96"* | 48 3/8" | 108" |
| 26" | 52 3/8" | 92"* | 52 3/8" | 94"* | 52 3/8" | 96"* | 52 3/8" | 108" |
| 28" | 56 3/8" | 92"* | 56 3/8" | 94"* | 56 3/8" | 96"* | 56 3/8" | 108" |
| 30" | 60 3/8" | 92"* | 60 3/8" | 94"* | 60 3/8" | 96"* | 60 3/8" | 108" |
| 32" | 64 3/8" | 92"* | 64 3/8" | 94"* | 64 3/8" | 96"* | 64 3/8" | 108" |
| 34" | 68 3/8" | 92"* | 68 3/8" | 94"* | 68 3/8" | 96"* | 68 3/8" | 108" |
| 36" | 72 3/8" | 92"* | 72 3/8" | 94"* | 72 3/8" | 96"* | 72 3/8" | 108" |
| 38" | 76 3/8" | 92"* | 76 3/8" | 94"* | 76 3/8" | 96"* | 76 3/8" | 108" |
| 40" | 80 3/8" | 92"* | 80 3/8" | 94"* | 80 3/8" | 96"* | 80 3/8" | 108" |
| 42" | 84 3/8" | 92"* | 84 3/8" | 94"* | 84 3/8" | 96"* | 84 3/8" | 108" |
| 44" | 88 3/8" | 92"* | 88 3/8" | 94"* | 88 3/8" | 96"* | 88 3/8" | 108" |
| 46" | 92 3/8" | 92"* | 92 3/8" | 94"* | 92 3/8" | 96"* | 92 3/8" | 108" |
| 48" | 96 3/8" | 92"* | 96 3/8" | 94"* | 96 3/8" | 96"* | 96 3/8" | 108" |

* Minimum required rough opening height. If you have enough headroom, you can install the pocket hardware without cutting the vertical pocket profiles. This requires a rough opening height of 108" or more.

Front view - Standard wood mounts

Standard wood mounts with jamb kit or casing

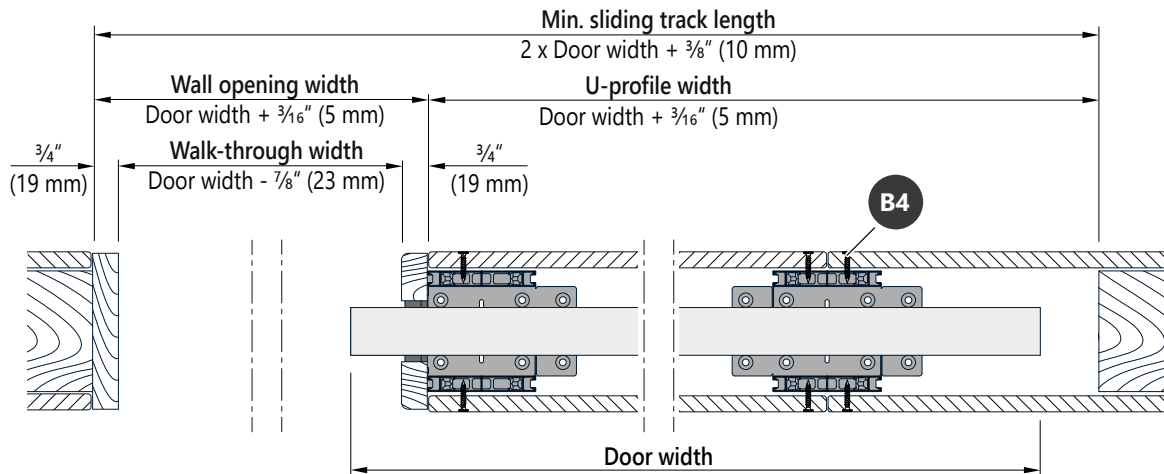


Note:

When using frameless profiles, consult the corresponding instructions provided separately!

Top view - Standard wood mounts

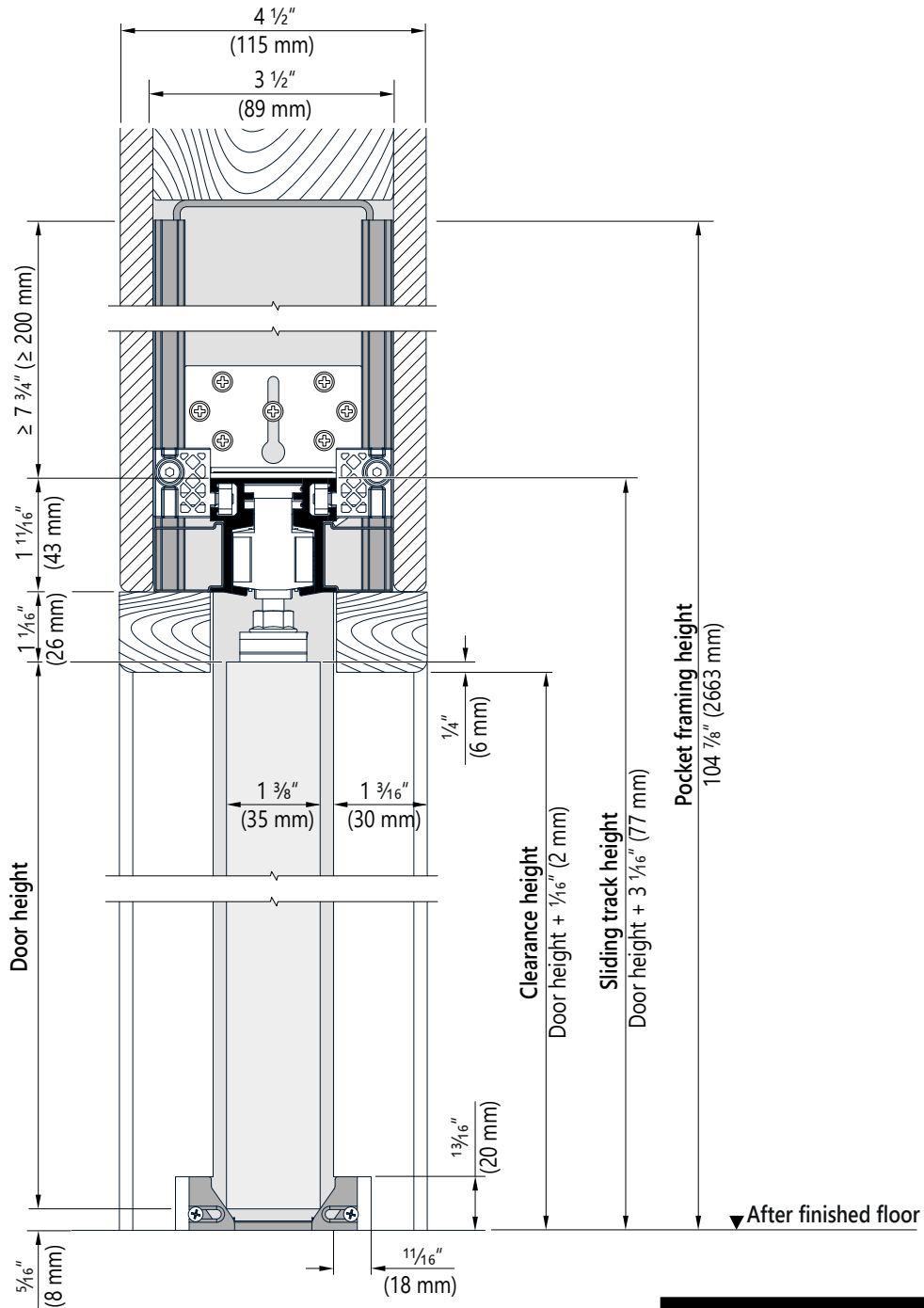
Standard wood mounts with jamb kit or casing



¹ U-profile is not included. Use U-shaped metal stud with correct dimensions. The profile is recommended but not needed.

Side view - Standard wood mounts

Standard wood mounts with jamb kit or casing

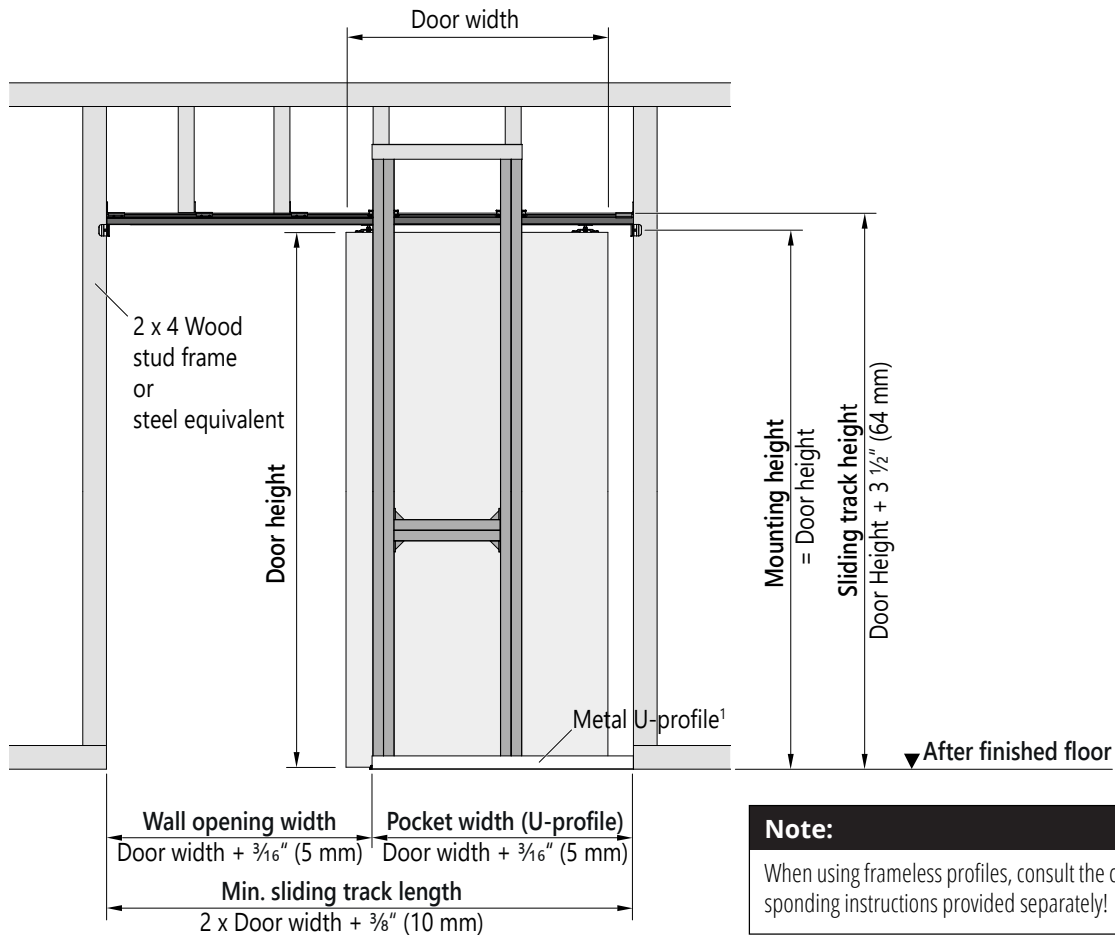


Note:

When using frameless profiles, consult the corresponding instructions provided separately!

Front view - Recessed wood mounts

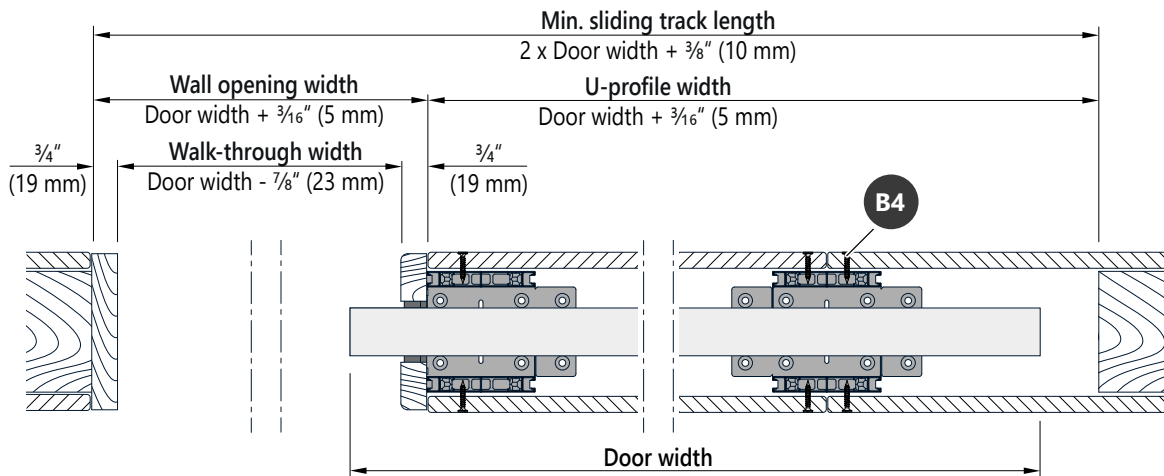
Recessed wood mounts with jamb kit or casing



Note:
When using frameless profiles, consult the corresponding instructions provided separately!

Top view - Recessed wood mounts

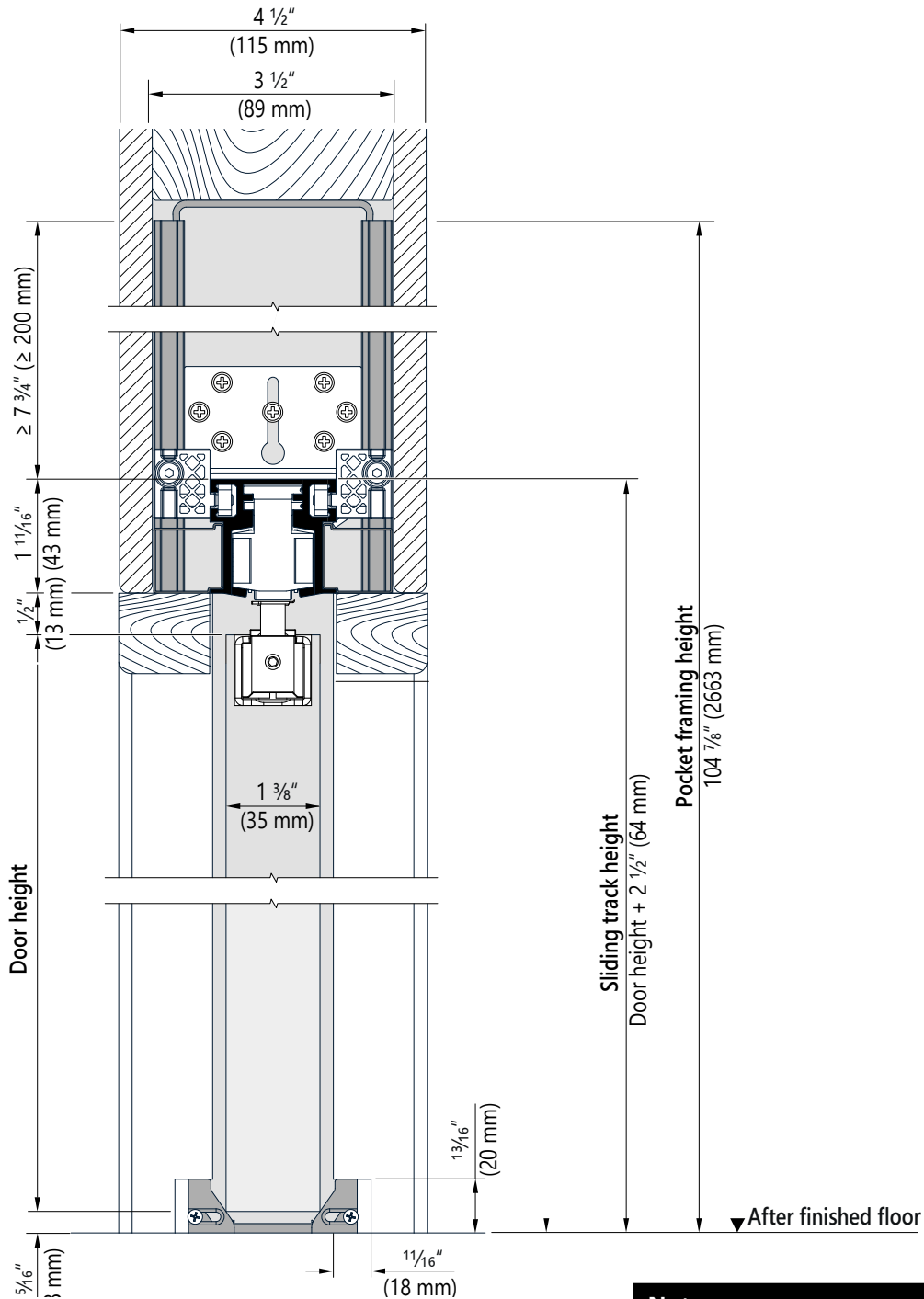
Recessed wood mounts with jamb kit or casing



¹ U-profile is not included. Use U-shaped metal stud with correct dimensions. The profile is recommended but not needed.

Side view - Recessed wood mounts

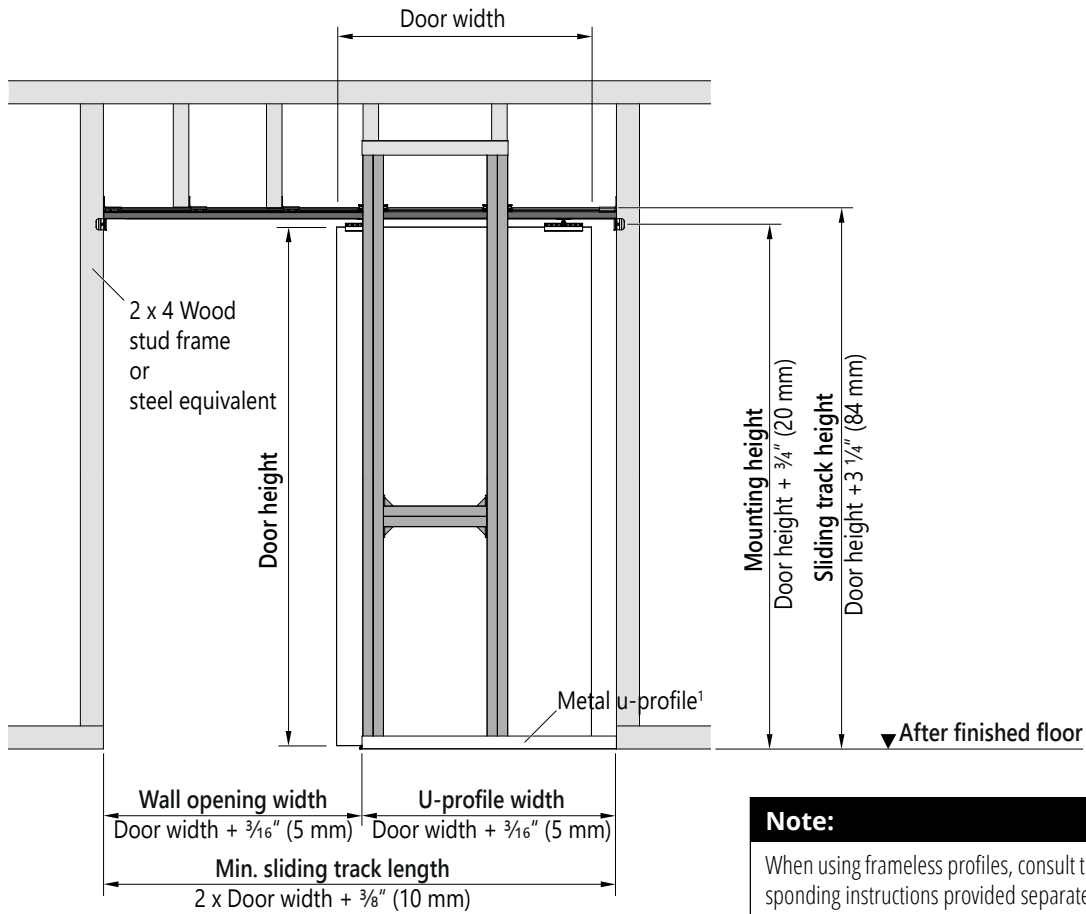
Recessed wood mounts with jamb kit or casing



Note:
When using frameless profiles, consult the corresponding instructions provided separately!

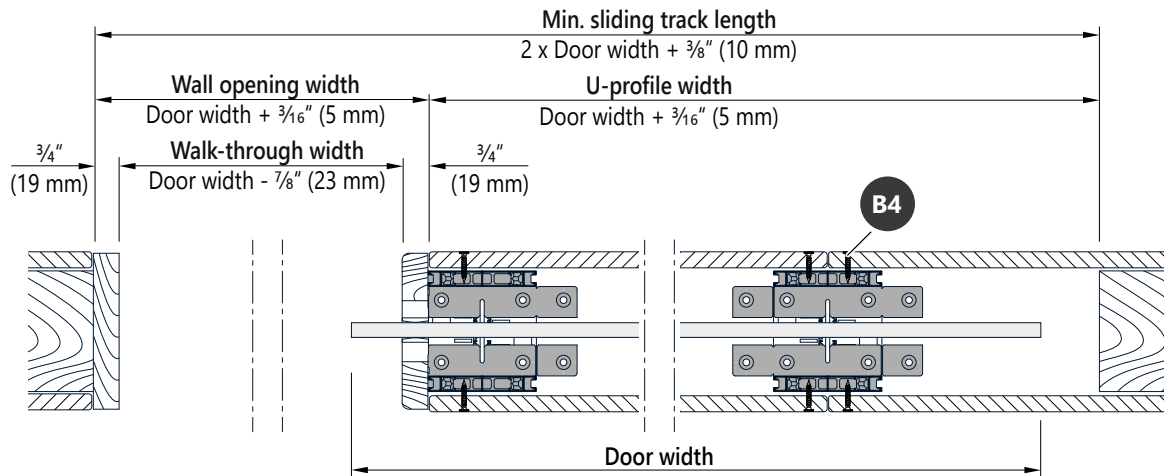
Front view - Glass clamps

Glass door with jamb kit or casing



Top view - Glass clamps

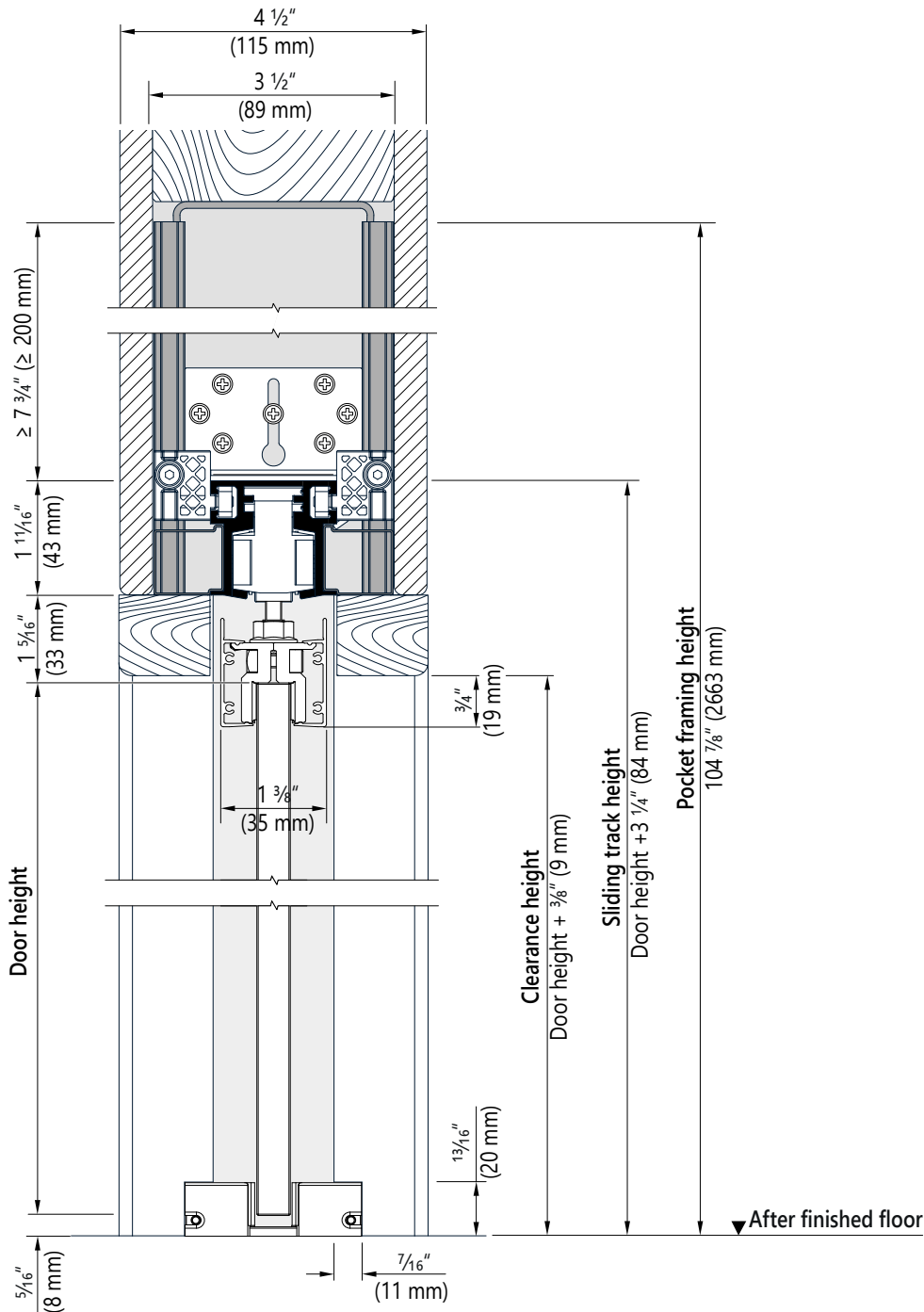
Glass door with jamb kit or casing



¹ U-profile is not included. Use U-shaped metal stud with correct dimensions. The profile is recommended but not needed.

Side view - Glass clamps

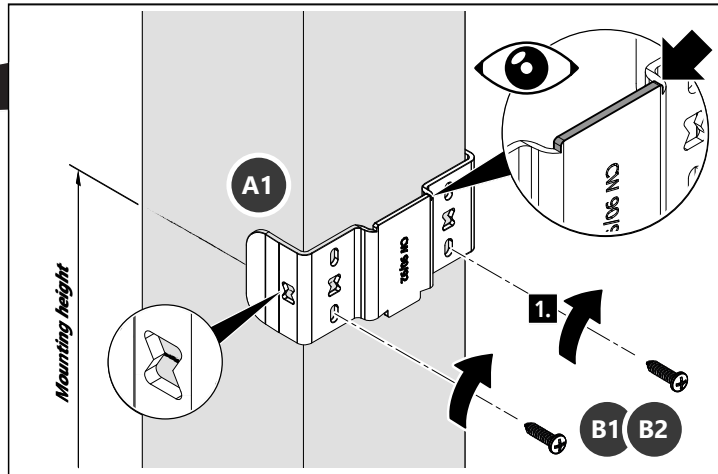
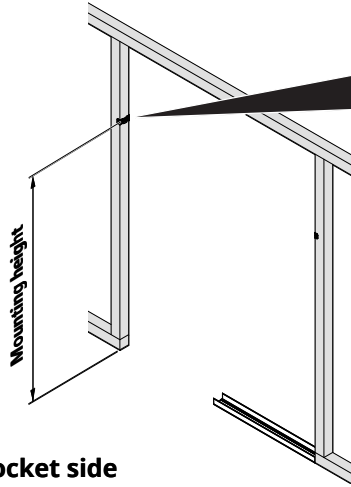
Glass door with jamb kit or casing



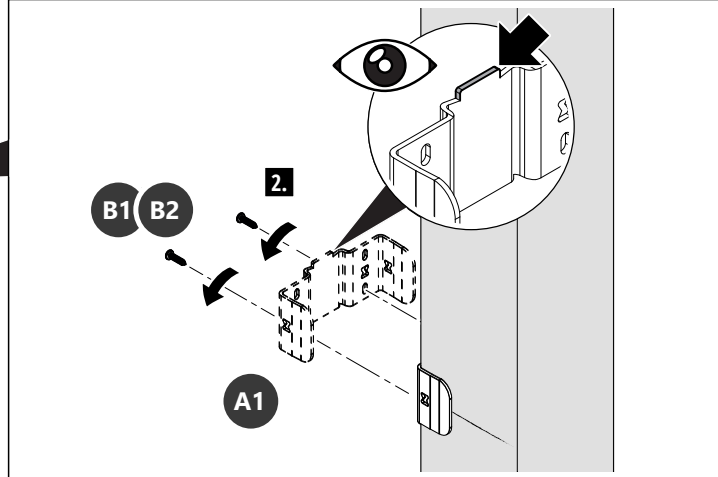
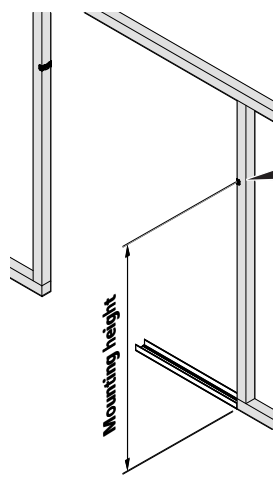
Note:
When using frameless profiles, consult the corresponding instructions provided separately!

1.

Door stop side



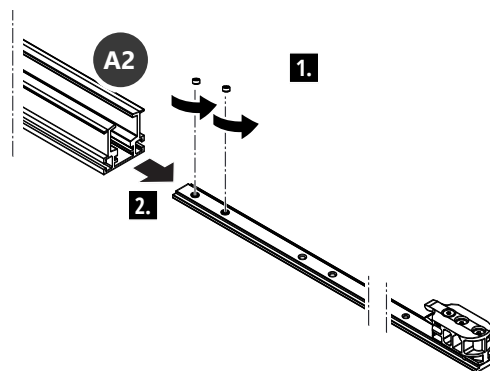
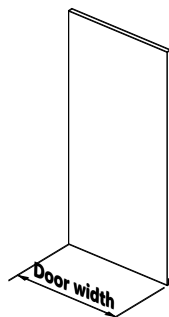
Pocket side



Note:

For mounting height, see pages 7 (standard wood mounts), 9 (recessed wood mounts) and 11 (glass clamps).

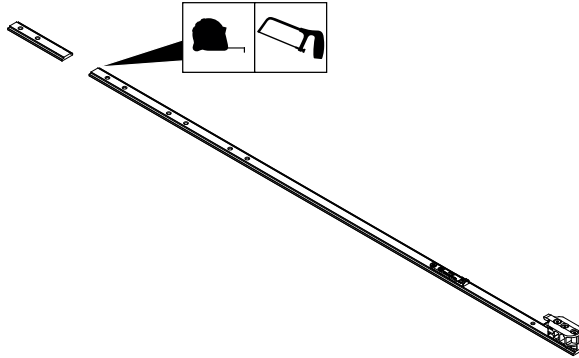
2.



3.

Note:

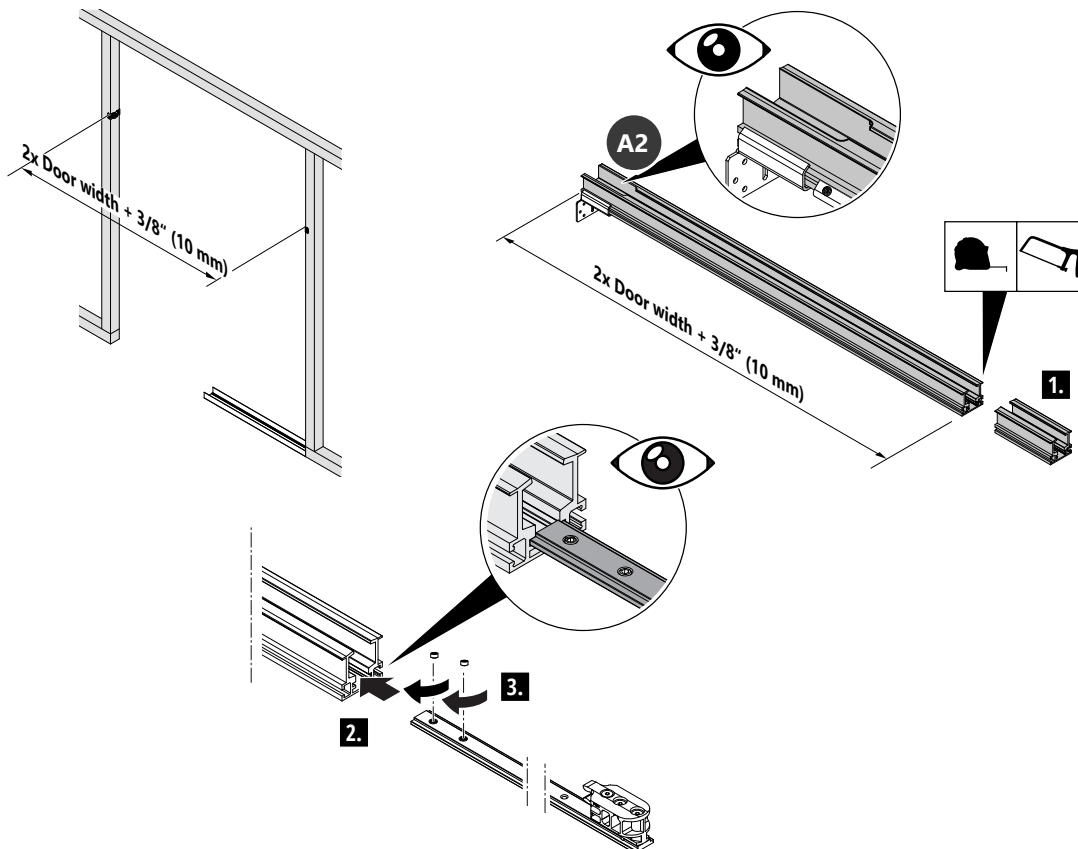
Cut track-in-track according to the markings for different door sizes.



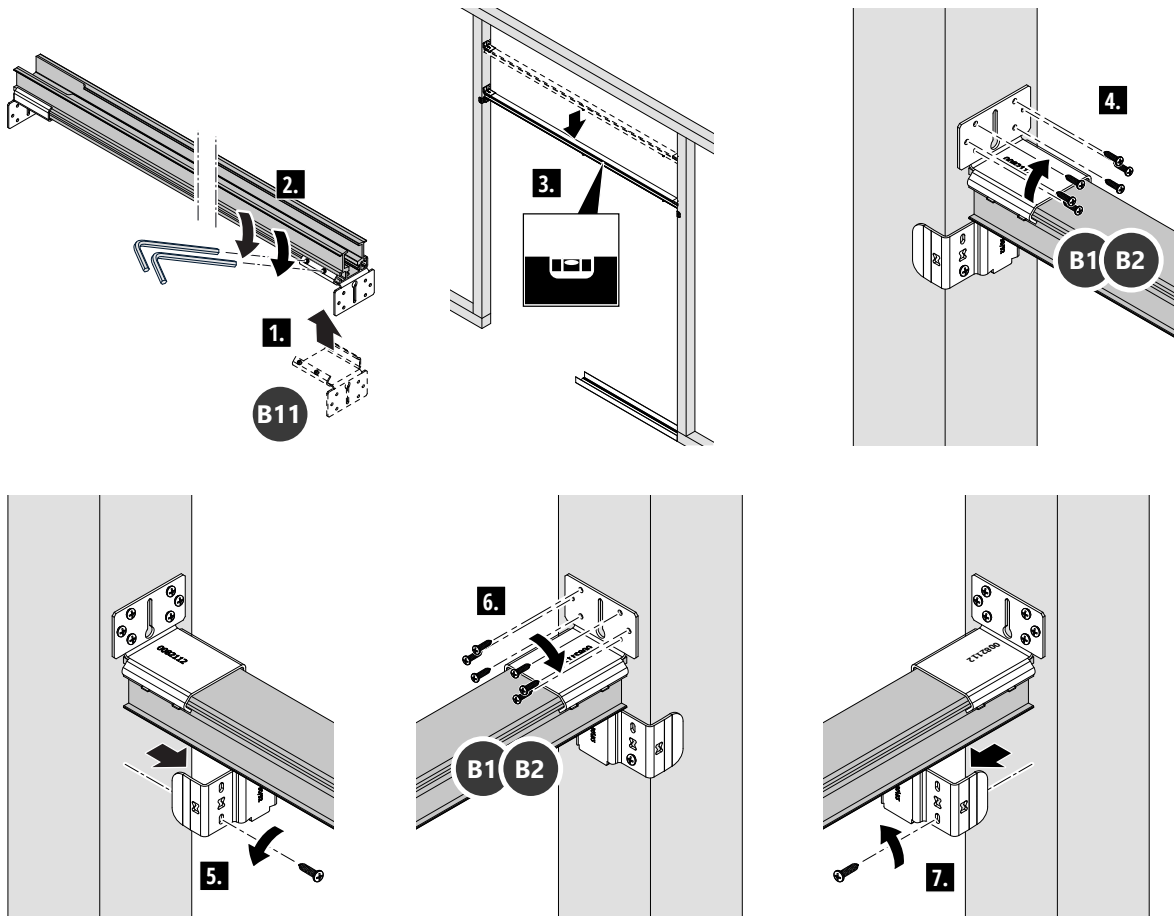
4.

Note:

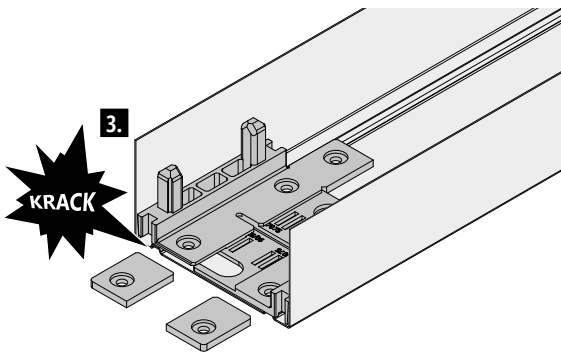
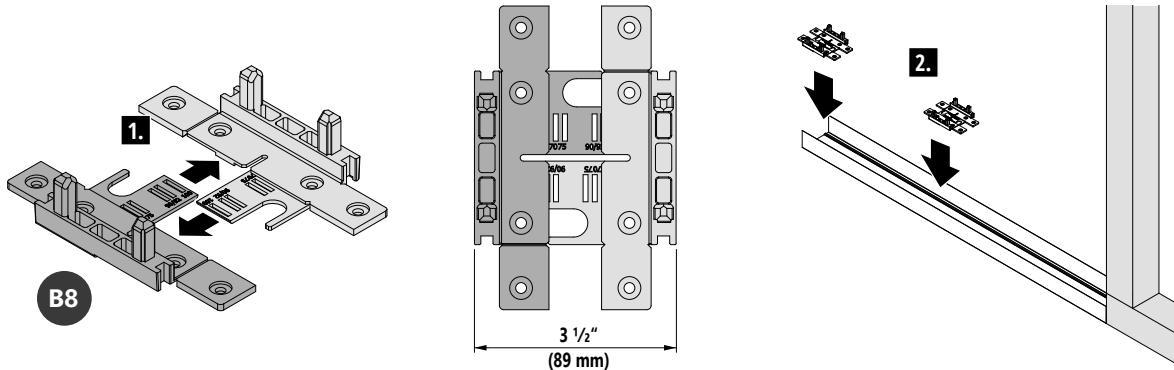
Should you plan to use Soft-Close, Push-To-Open, heavy duty wheels or Sync, install them before attaching the track. Follow the steps of the separate installation instructions and then come back to this page.



5.



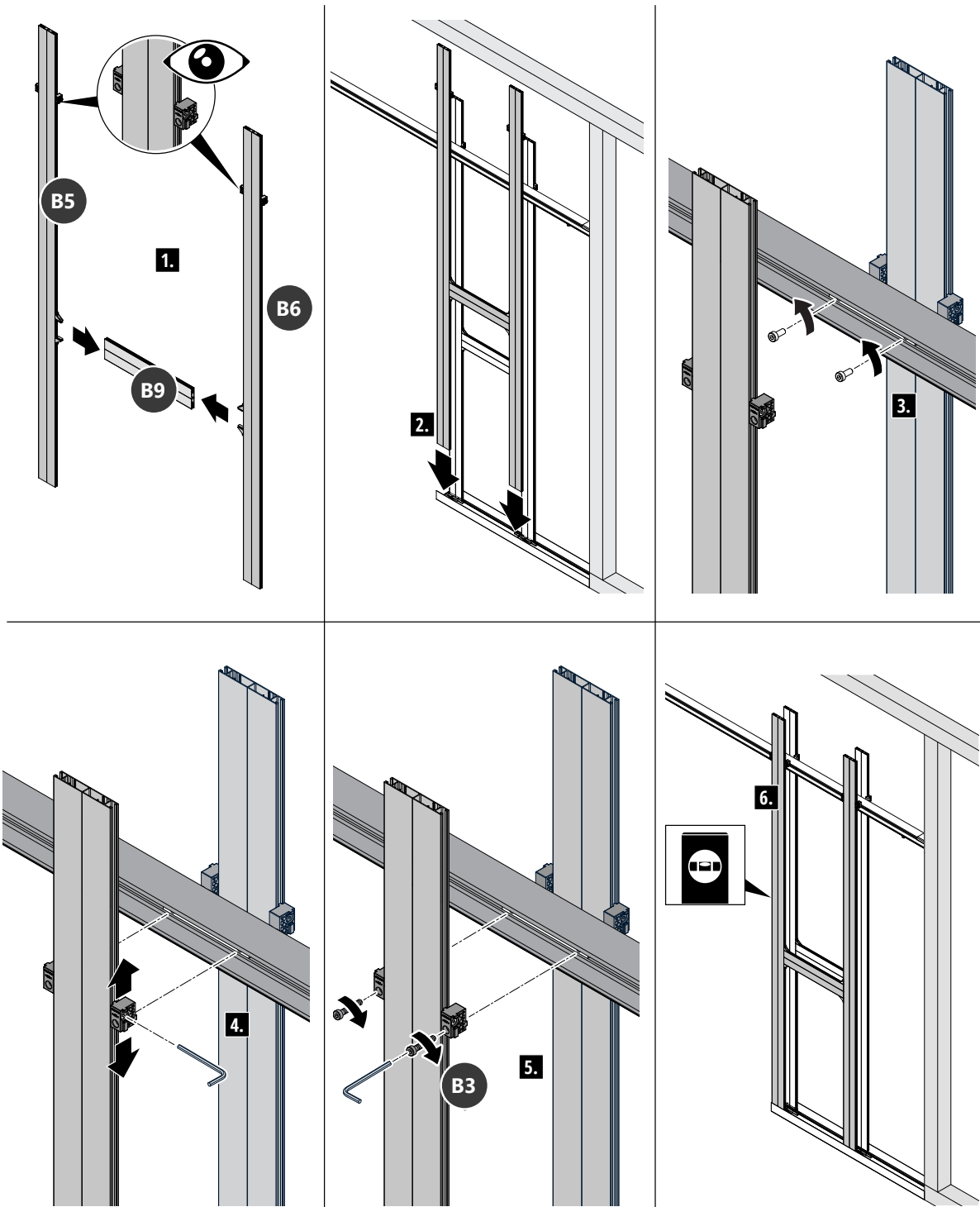
6.



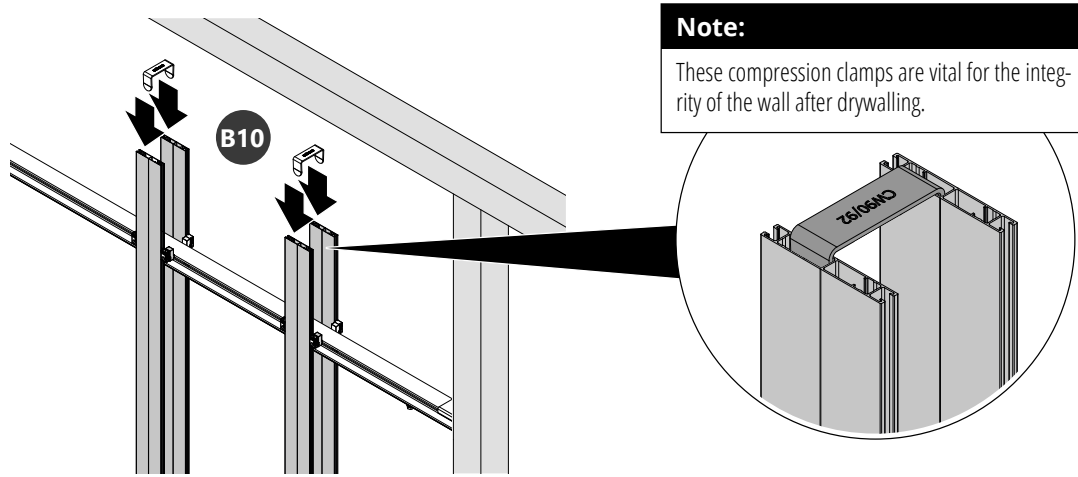
Note:

The fastening material must be adapted to the local conditions. The feet may be either screwed or glued. The use of a metal U-profile is recommended but not needed.

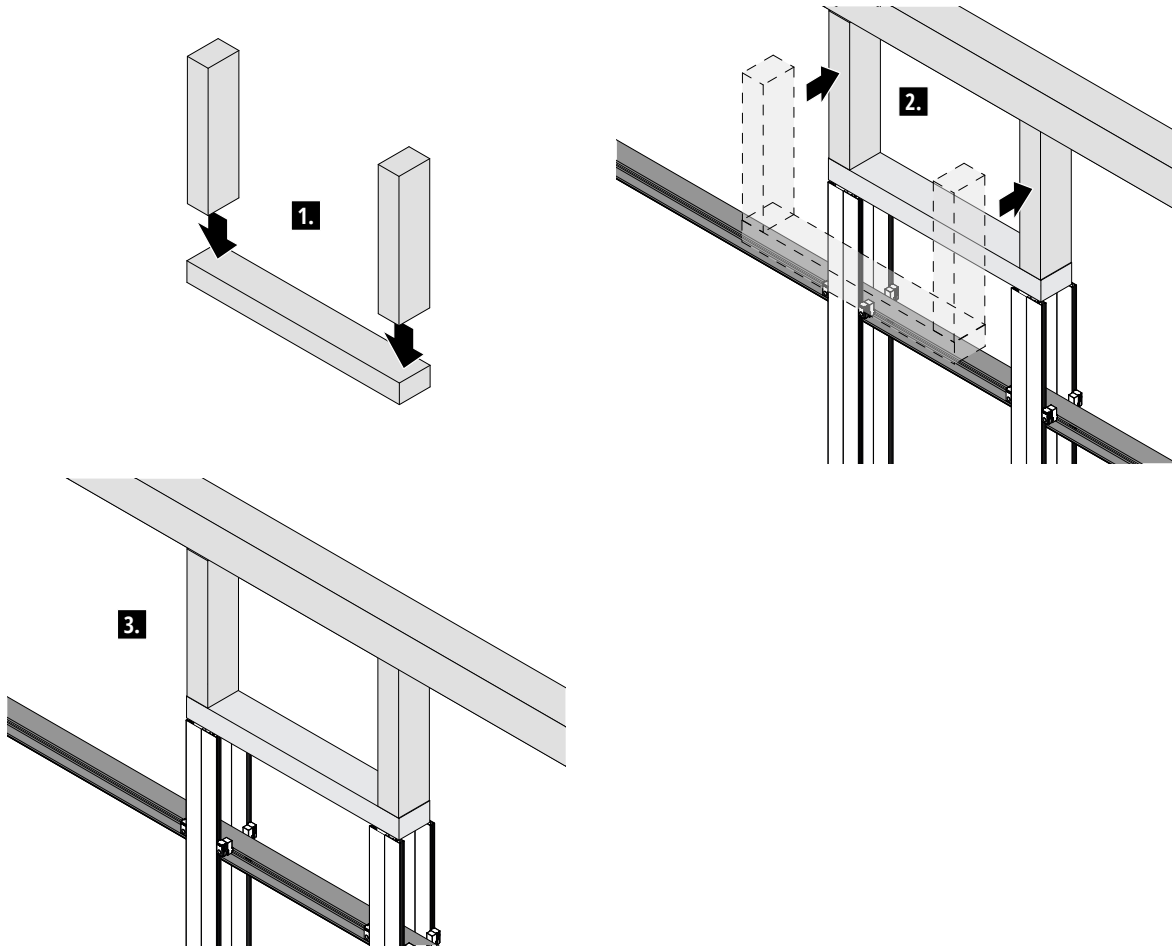
7.



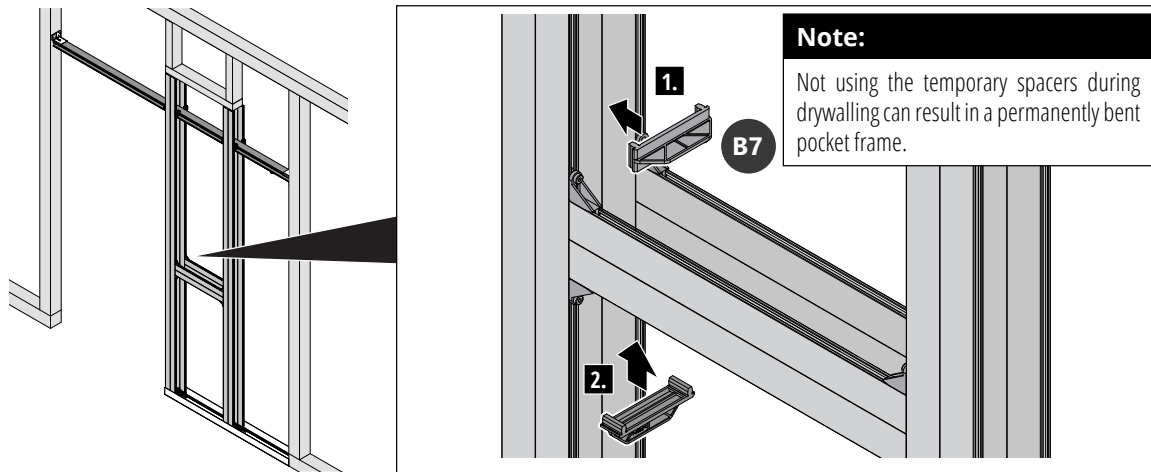
8.



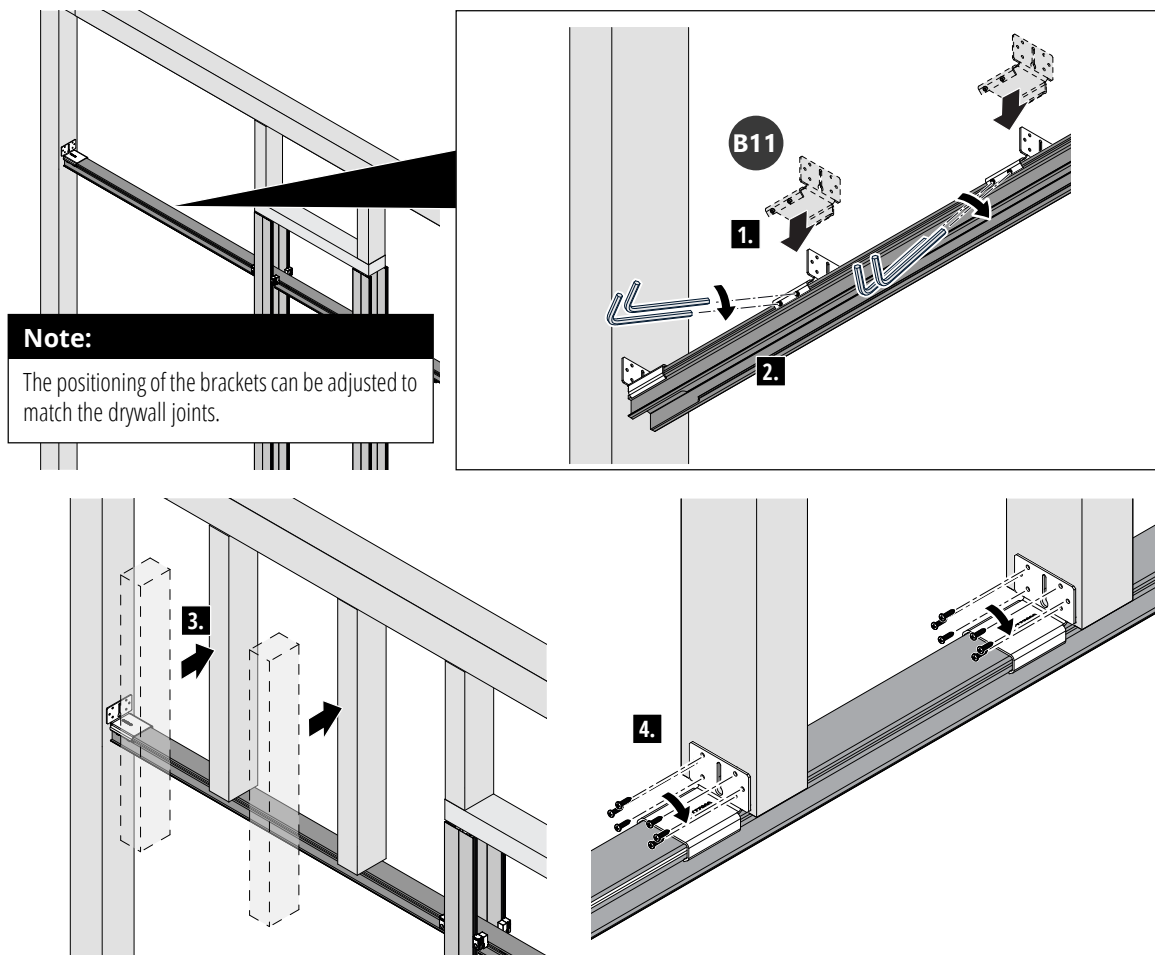
9.



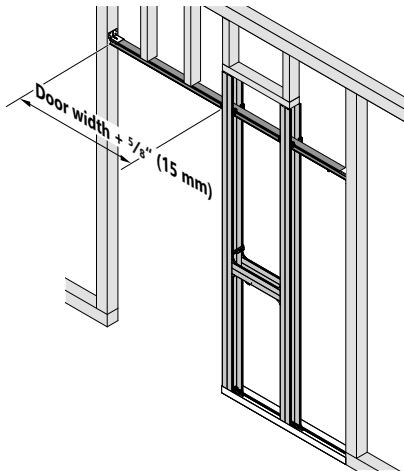
10.



11.

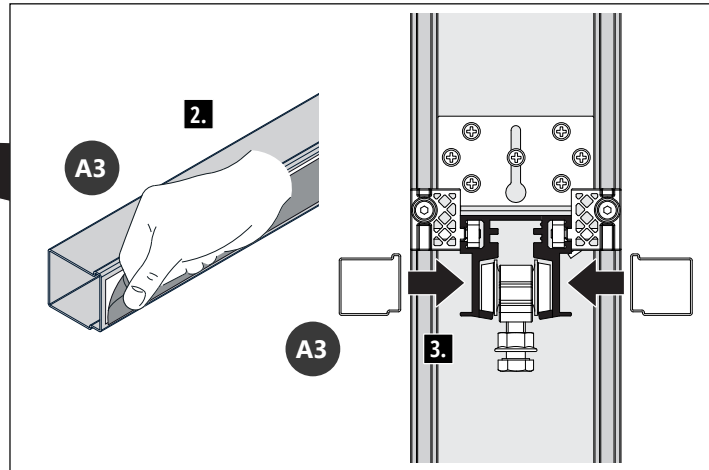
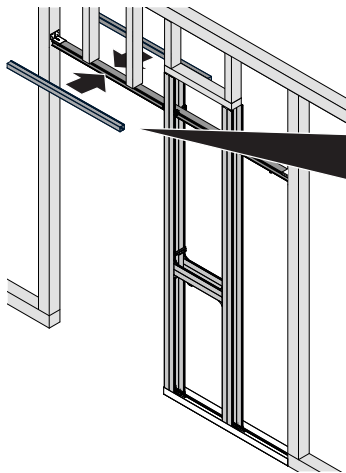
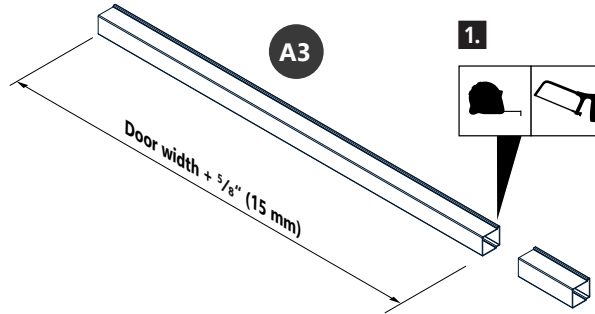


12.

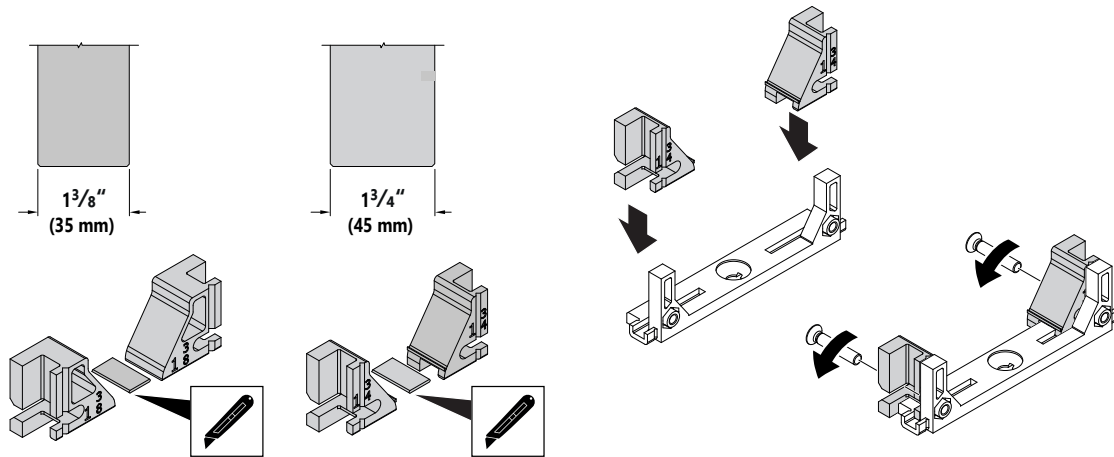


Note:

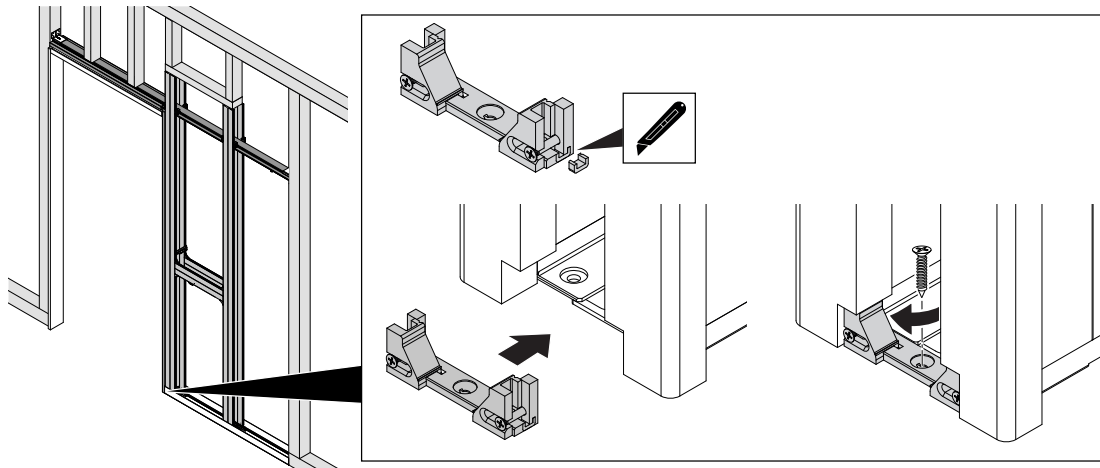
This step is needed if you are installing a jamb kit, casing or if you will be finishing the opening yourself. When using frameless profiles, follow the steps of the separate installation instructions!



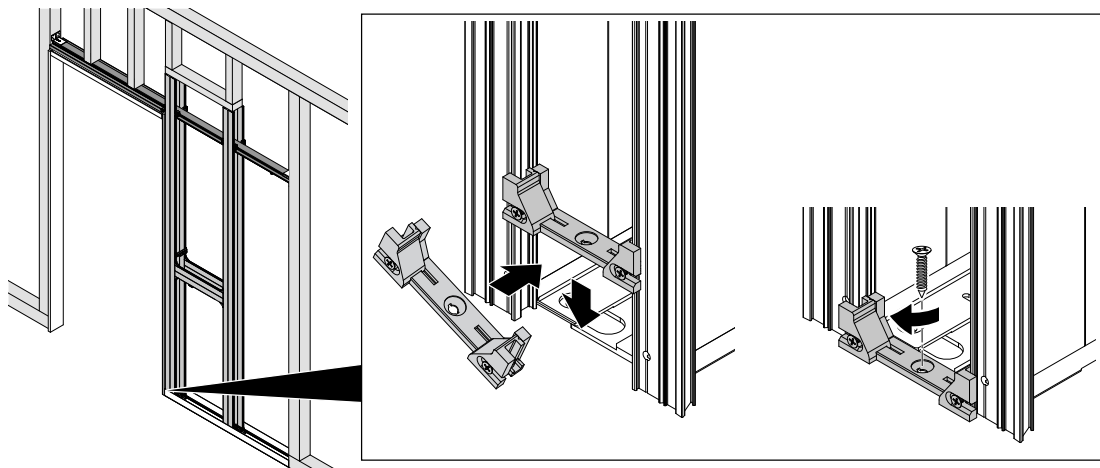
Wood 13.



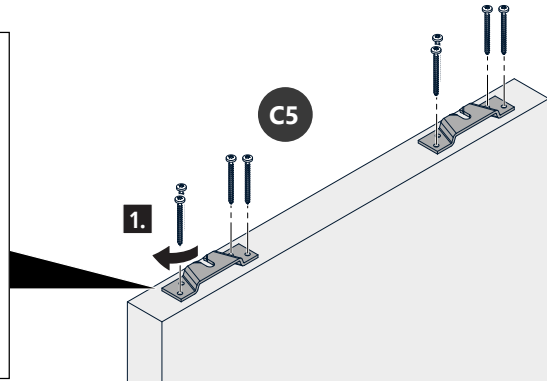
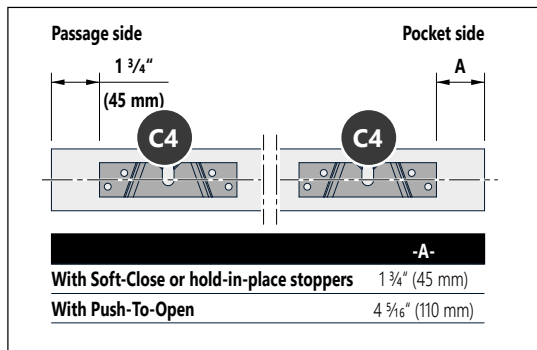
With jamb kit or casing



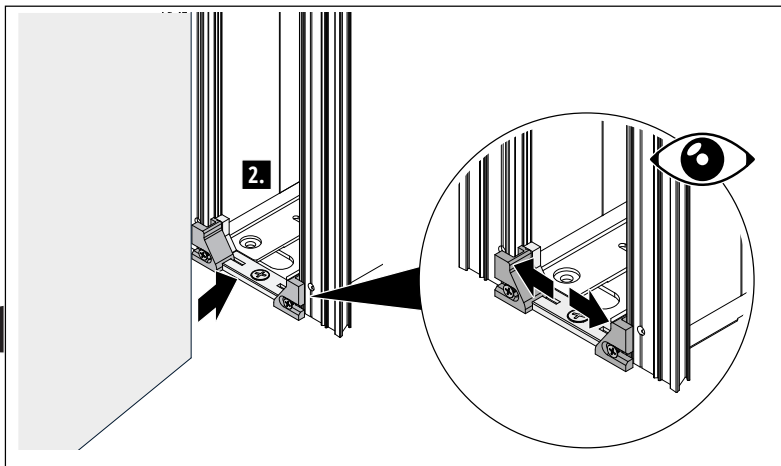
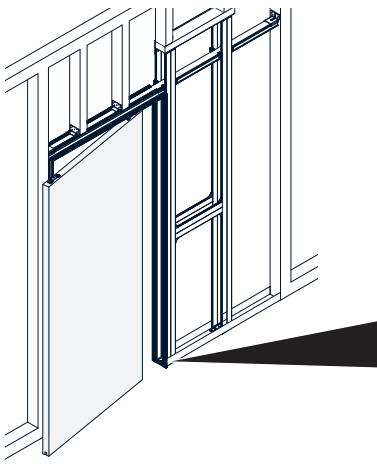
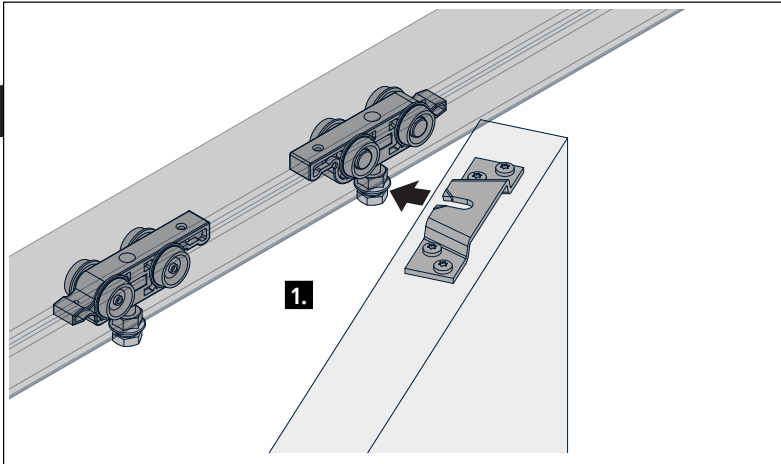
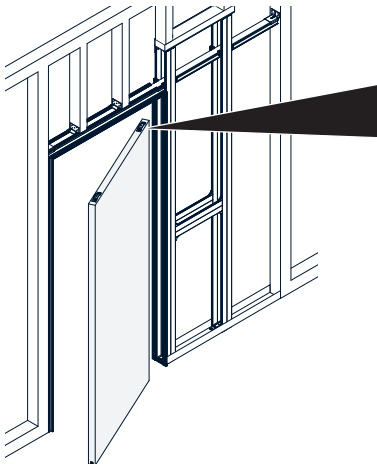
With frameless profiles

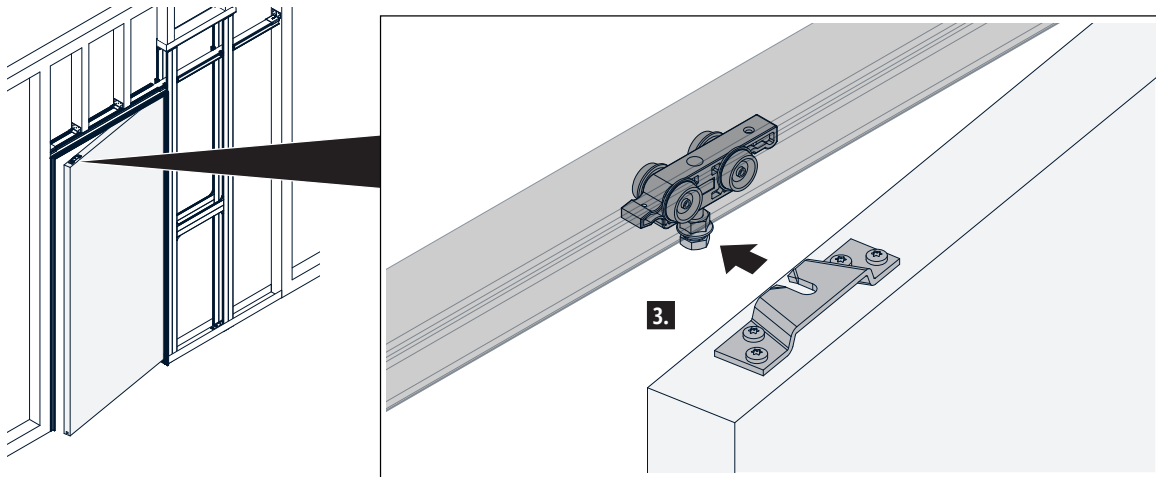


Wood Standard 14.

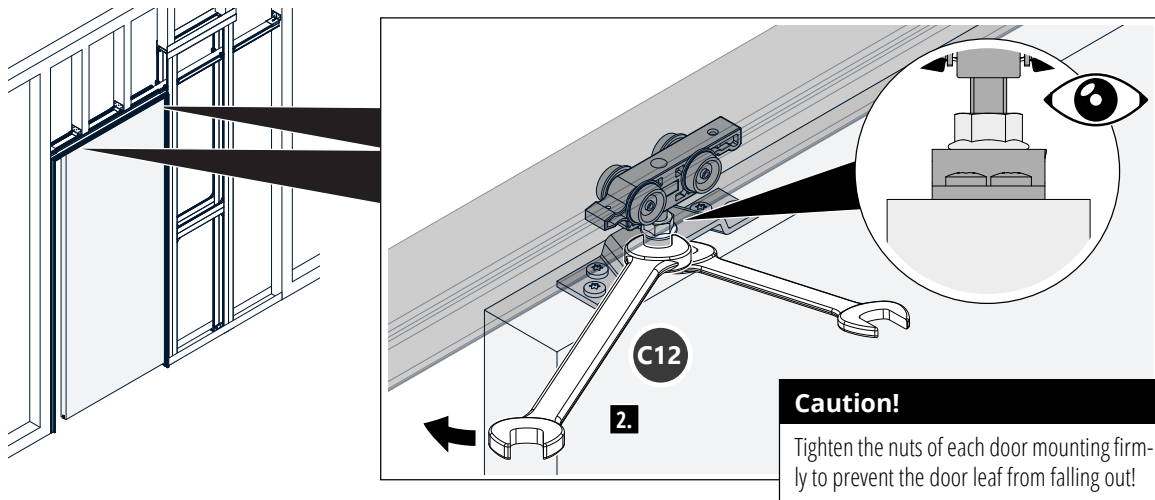
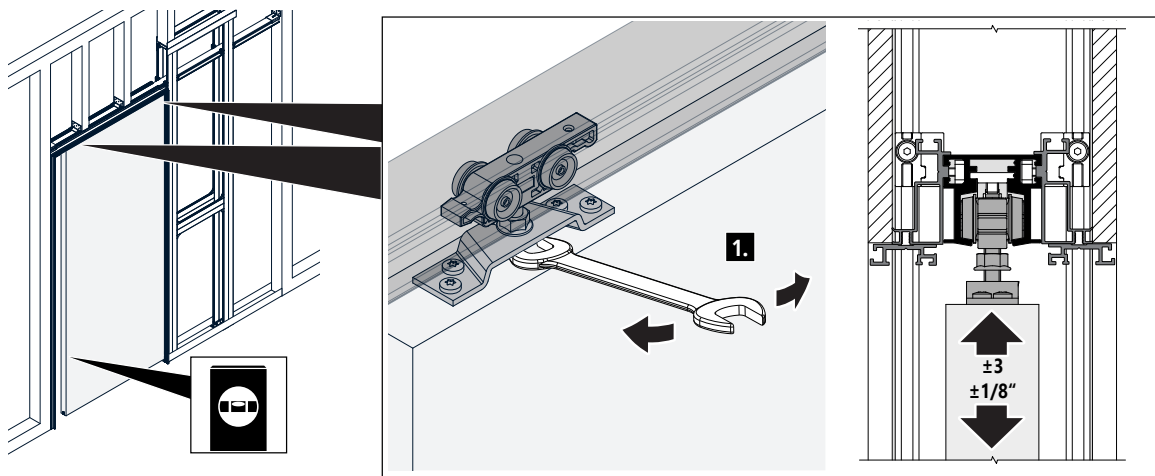


Wood Standard 15.

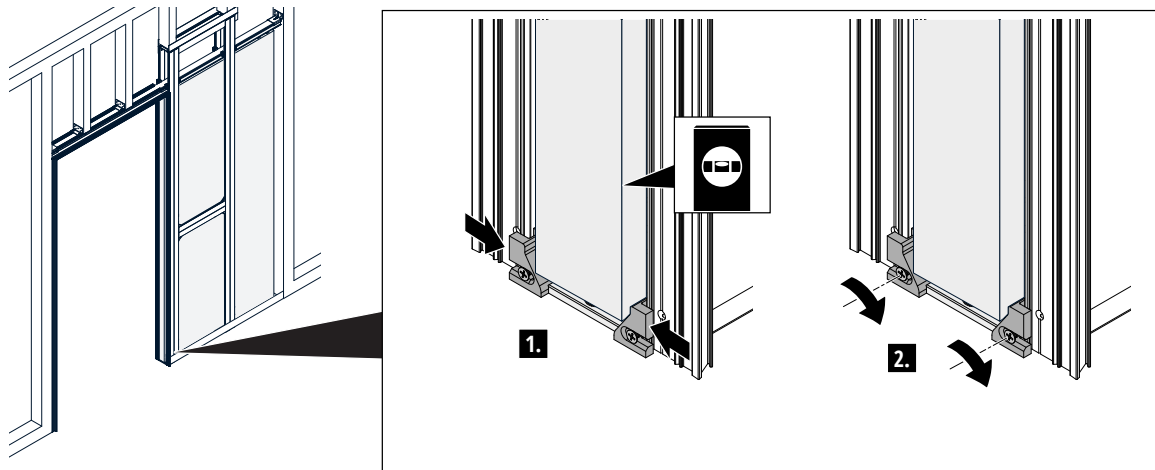




Wood Standard 16.



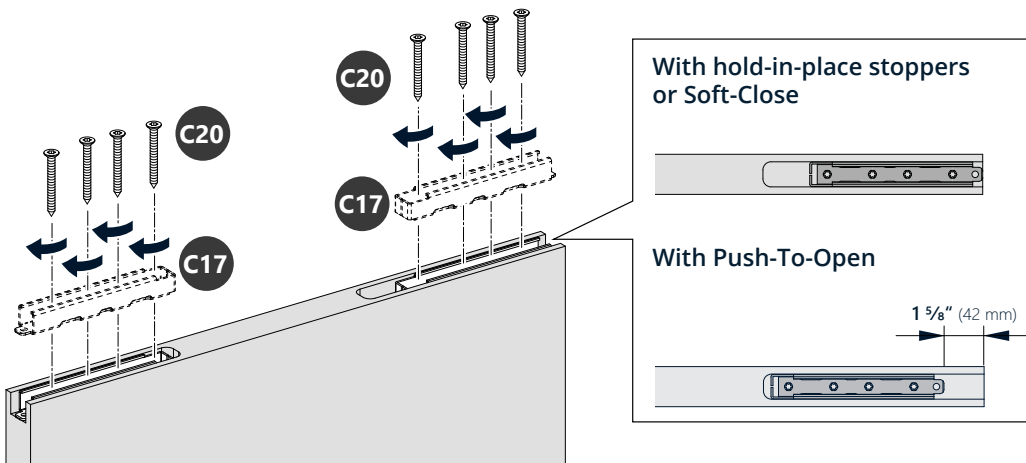
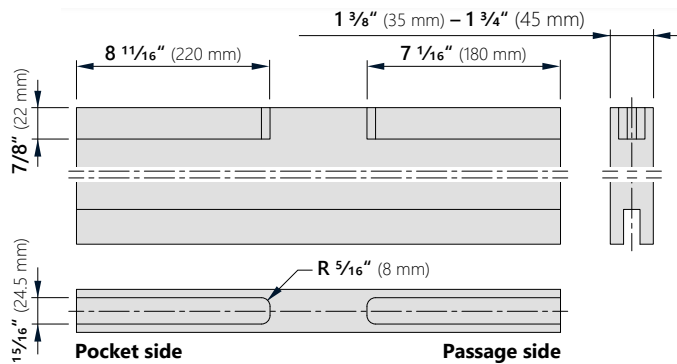
Wood Standard 17.



Note:

Go to Step 19 and adjust the positioning of the stoppers!

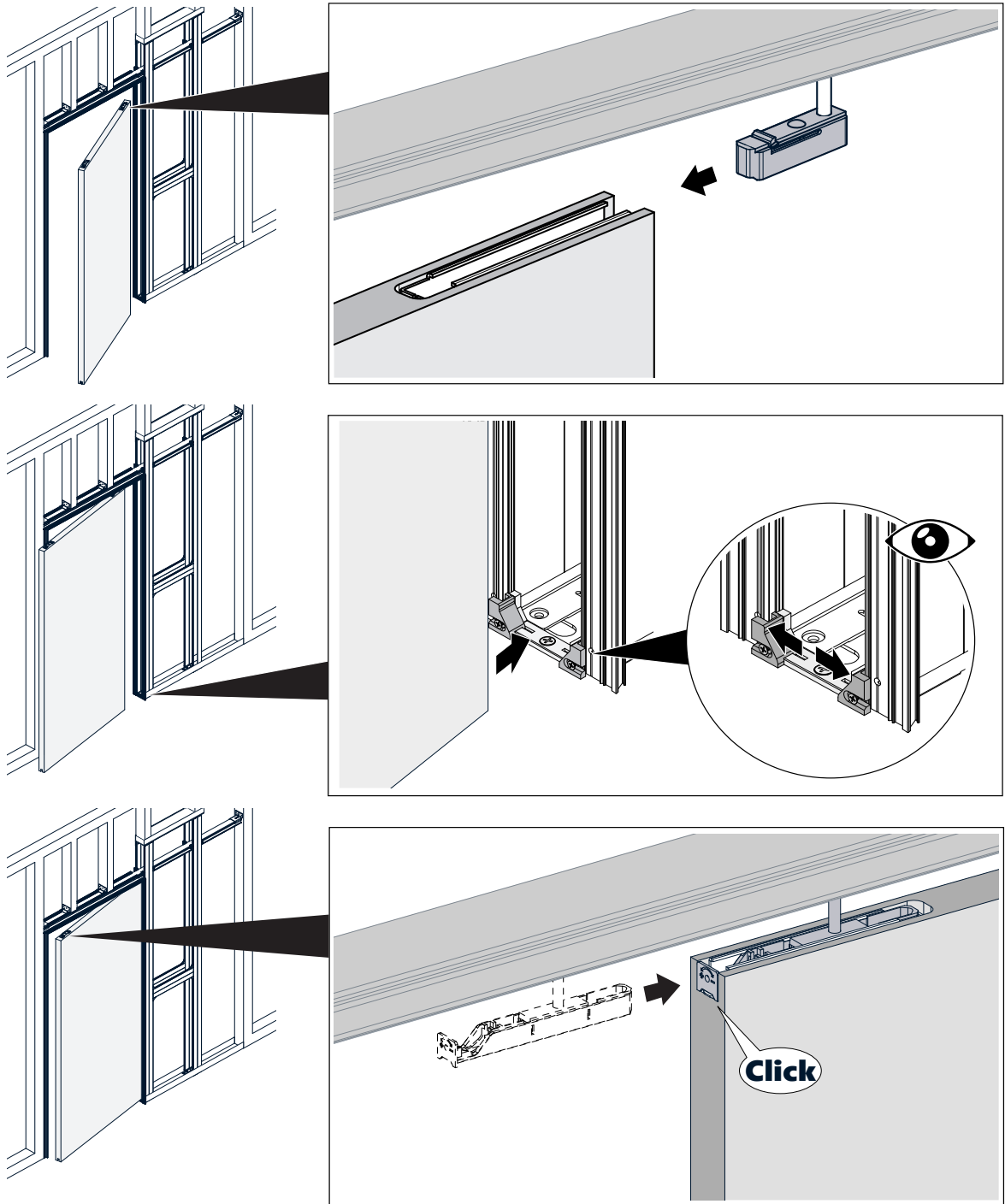
Wood Recessed 14.



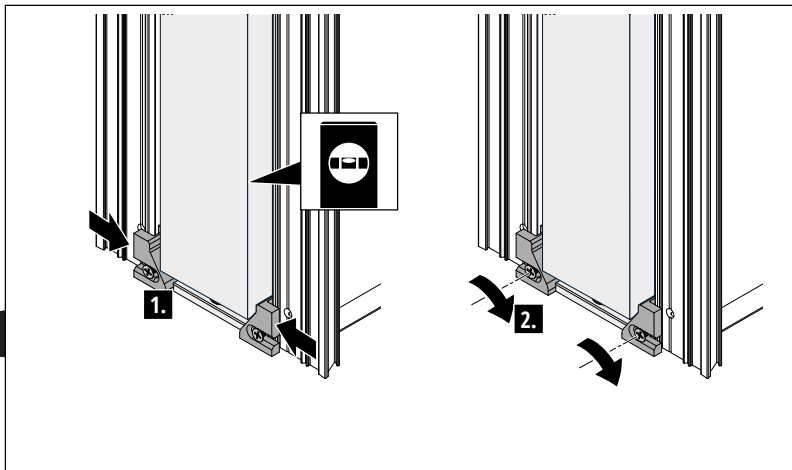
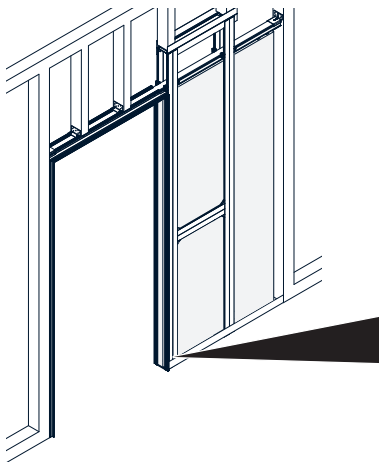
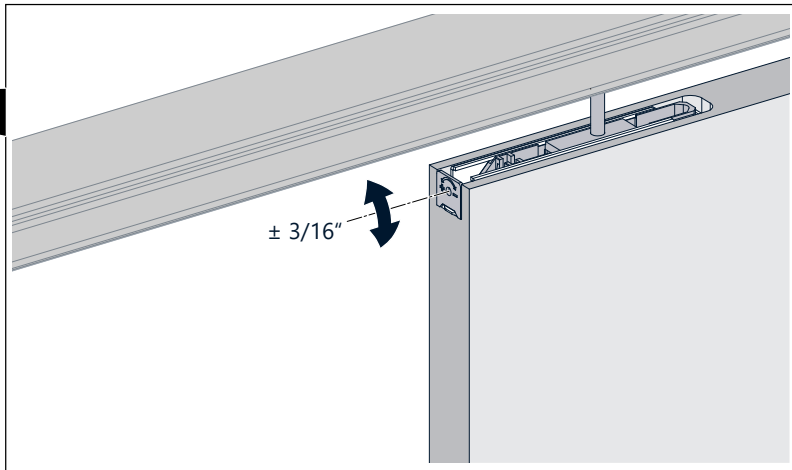
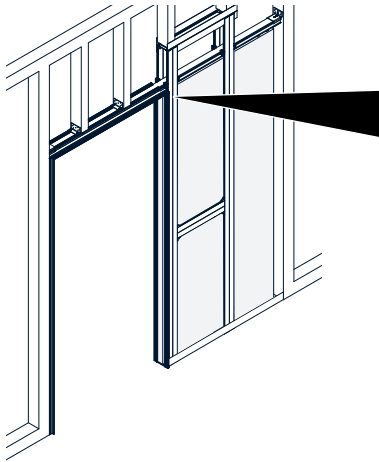
Wood Recessed 15.



Wood Recessed 16.



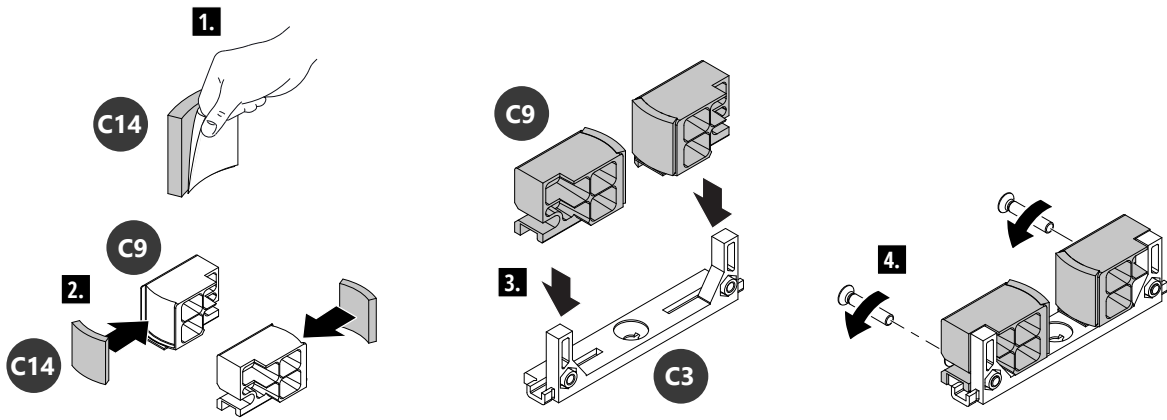
Wood Recessed 17.



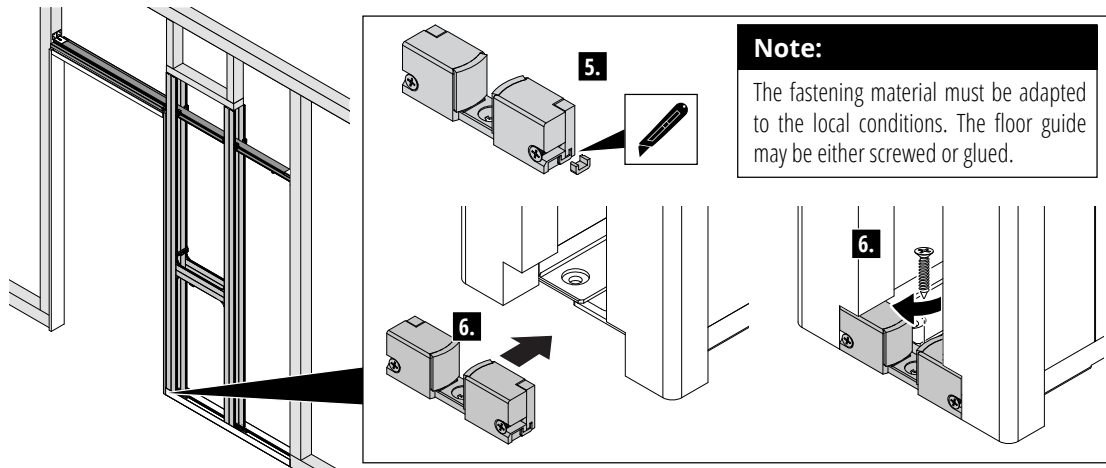
Note:

Go to Step 19 and adjust the positioning of the stoppers!

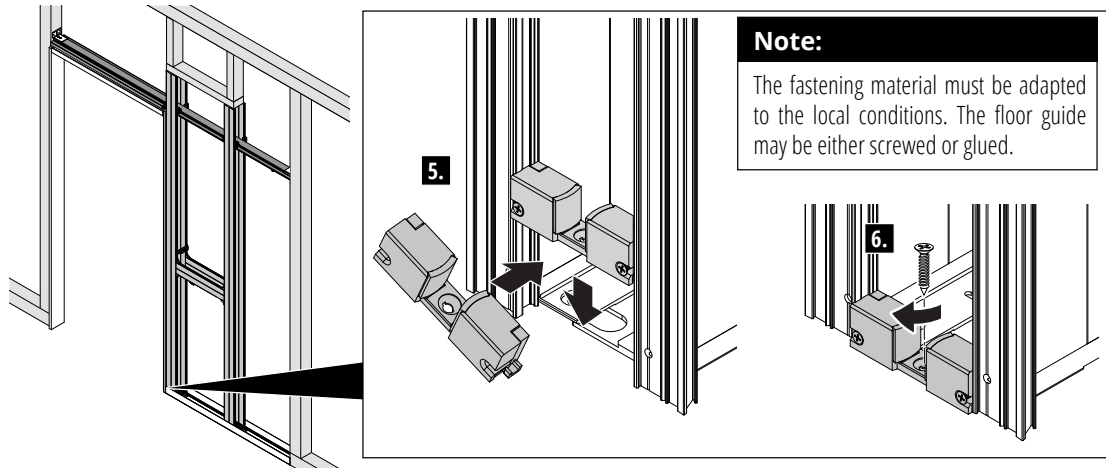
Frameless Glass 13.



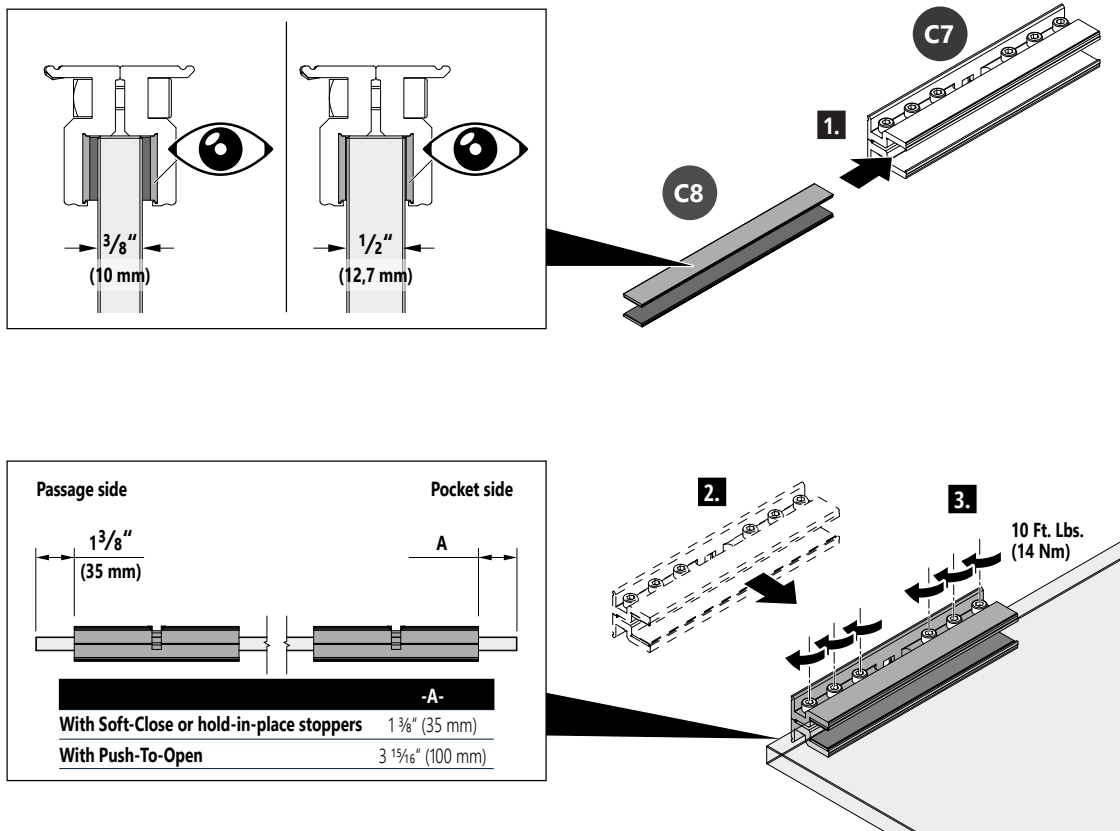
With jamb kit or casing



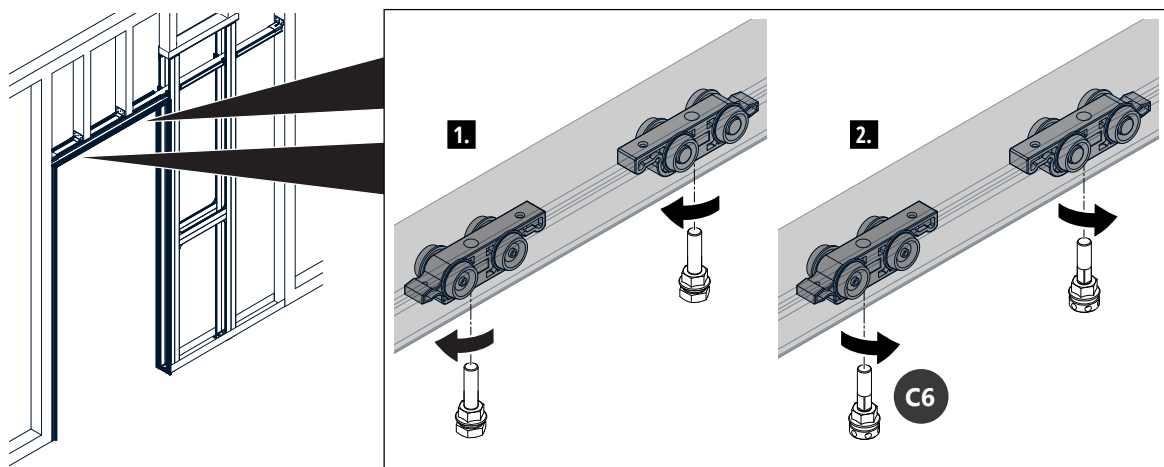
With frameless profiles

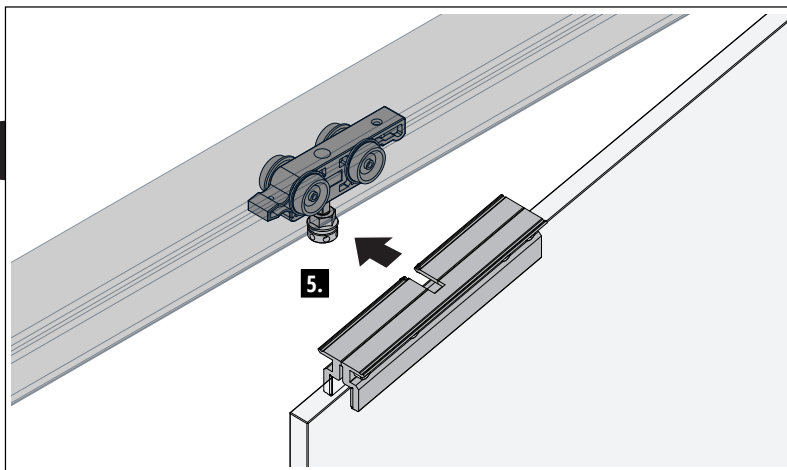
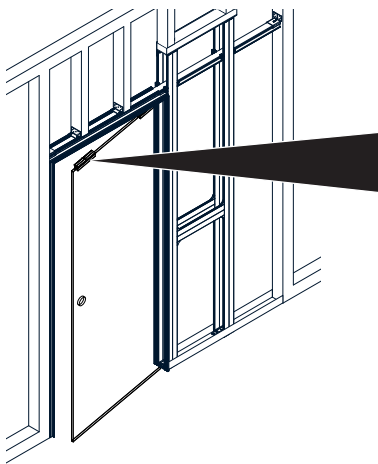
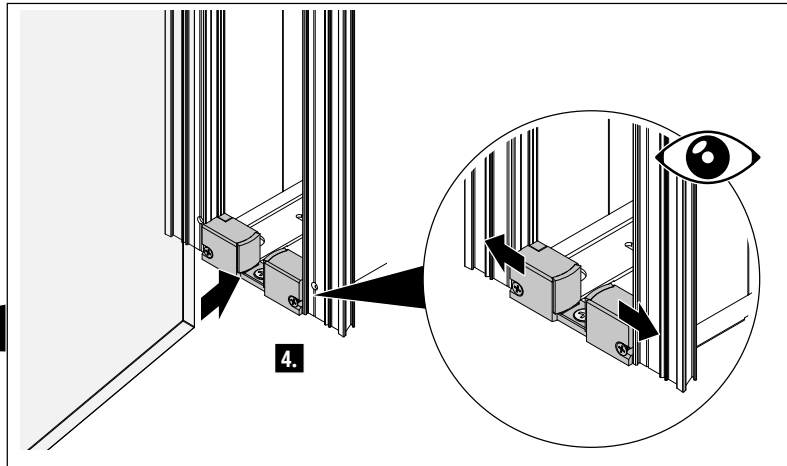
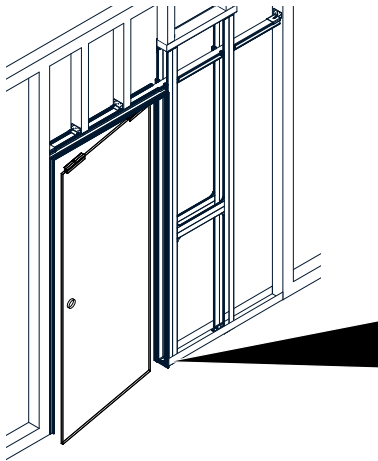
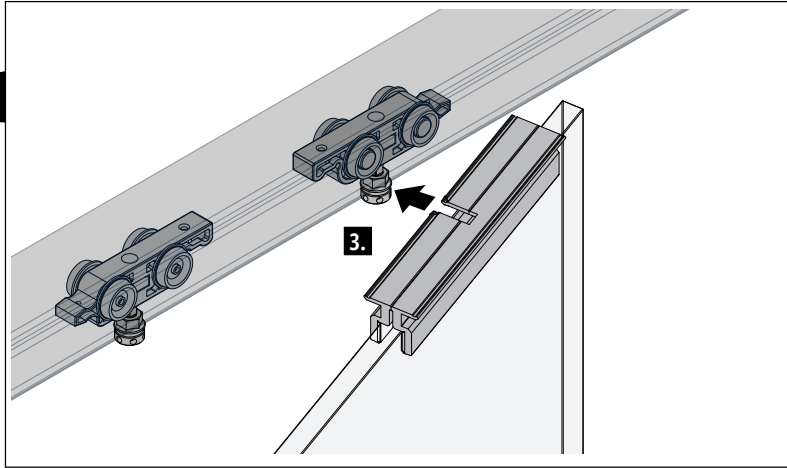
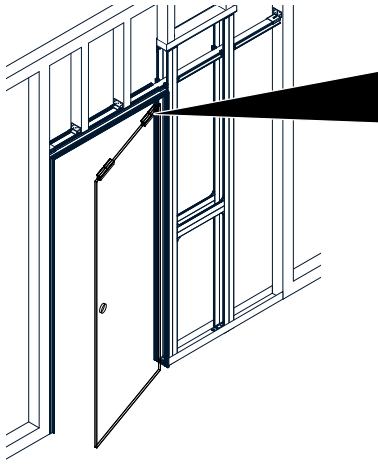


Frameless Glass 14.

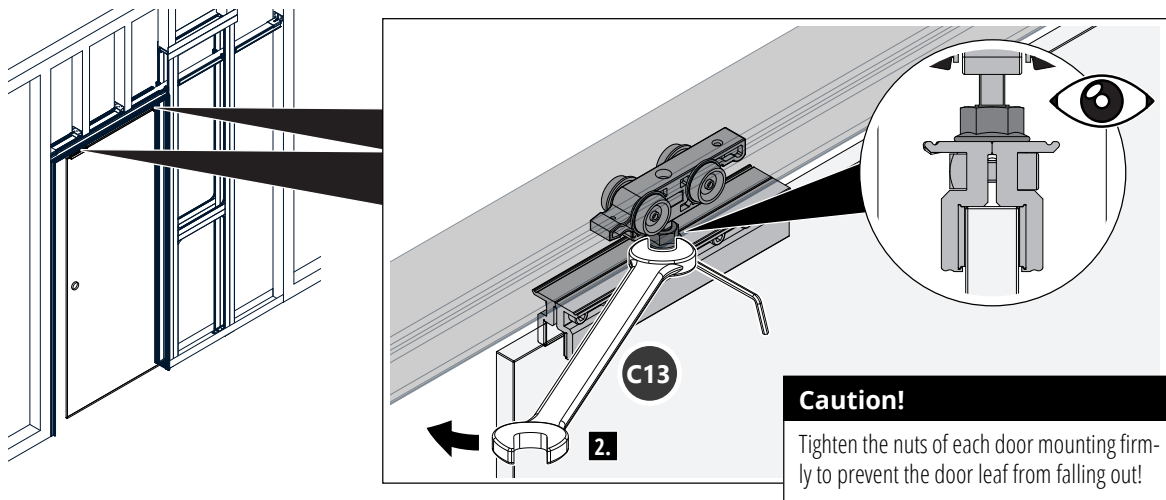
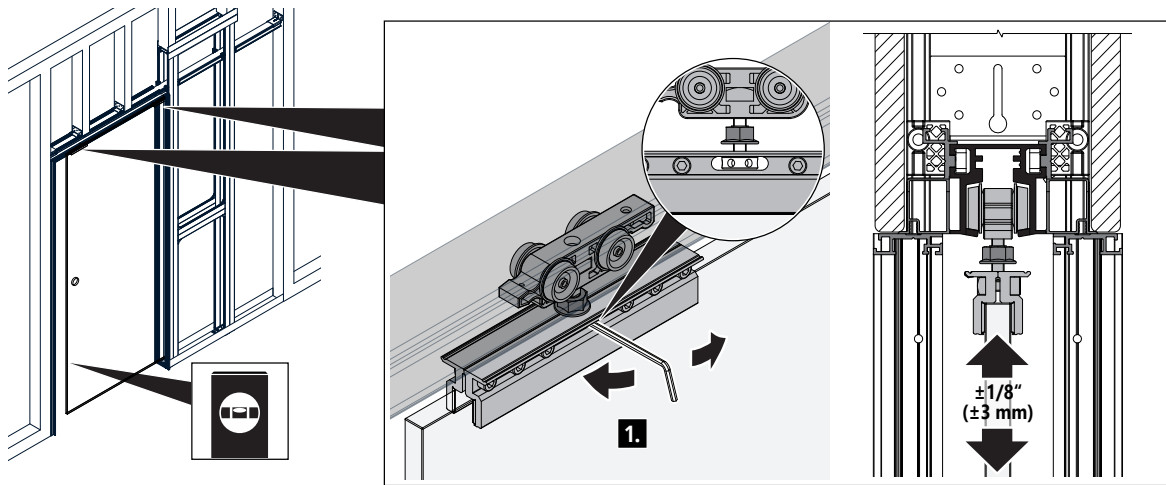


Frameless Glass 15.

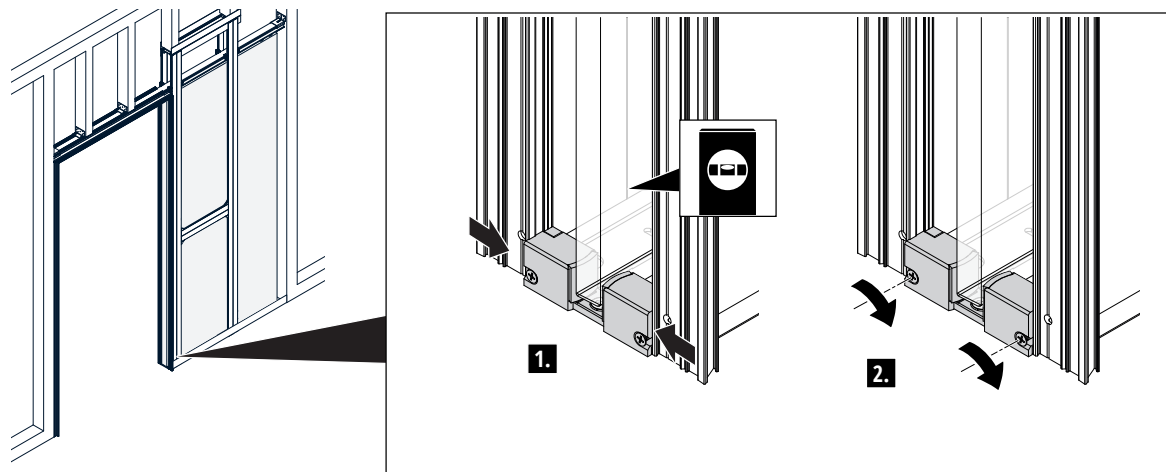




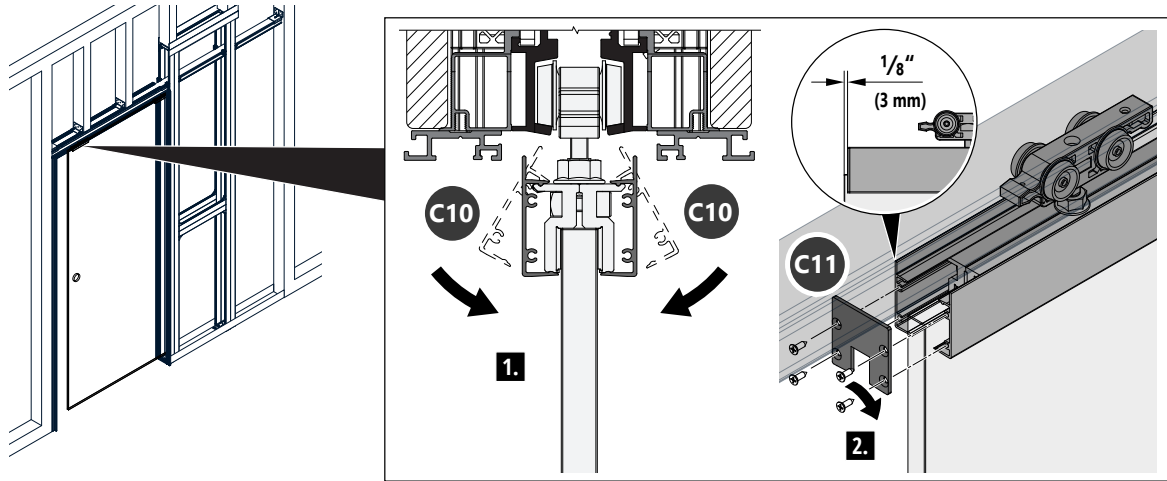
Frameless Glass 16.



Frameless Glass 17.



Frameless Glass 18.



19. Track-in-Track door stop adjustment

