



Installation Instructions

Frameless Profiles

For Flush-To-Wall Finishes

VARIOpocket

Page index

Preparation	P.3
Scope of delivery	P.4
Dimensions	P.7
Installation - Track and framing	P.14
Installation - Frameless profiles	P.20
Installation - Wood floor guide	P.24
Installation - Standard wood mounts	P.25
Installation - Recessed wood mounts	P.28
Installation - Glass floor guide	P.31
Installation - Glass clamps	P.32
Installation - Valances	P.35
Track-in-Track door stop adjustment	P.36

Product description

The frameless profiles are suitable for the compatible pocket door and framing hardware kit and are specifically made for use with 1/2" drywall. In case of uncertainty, please contact your supplier.

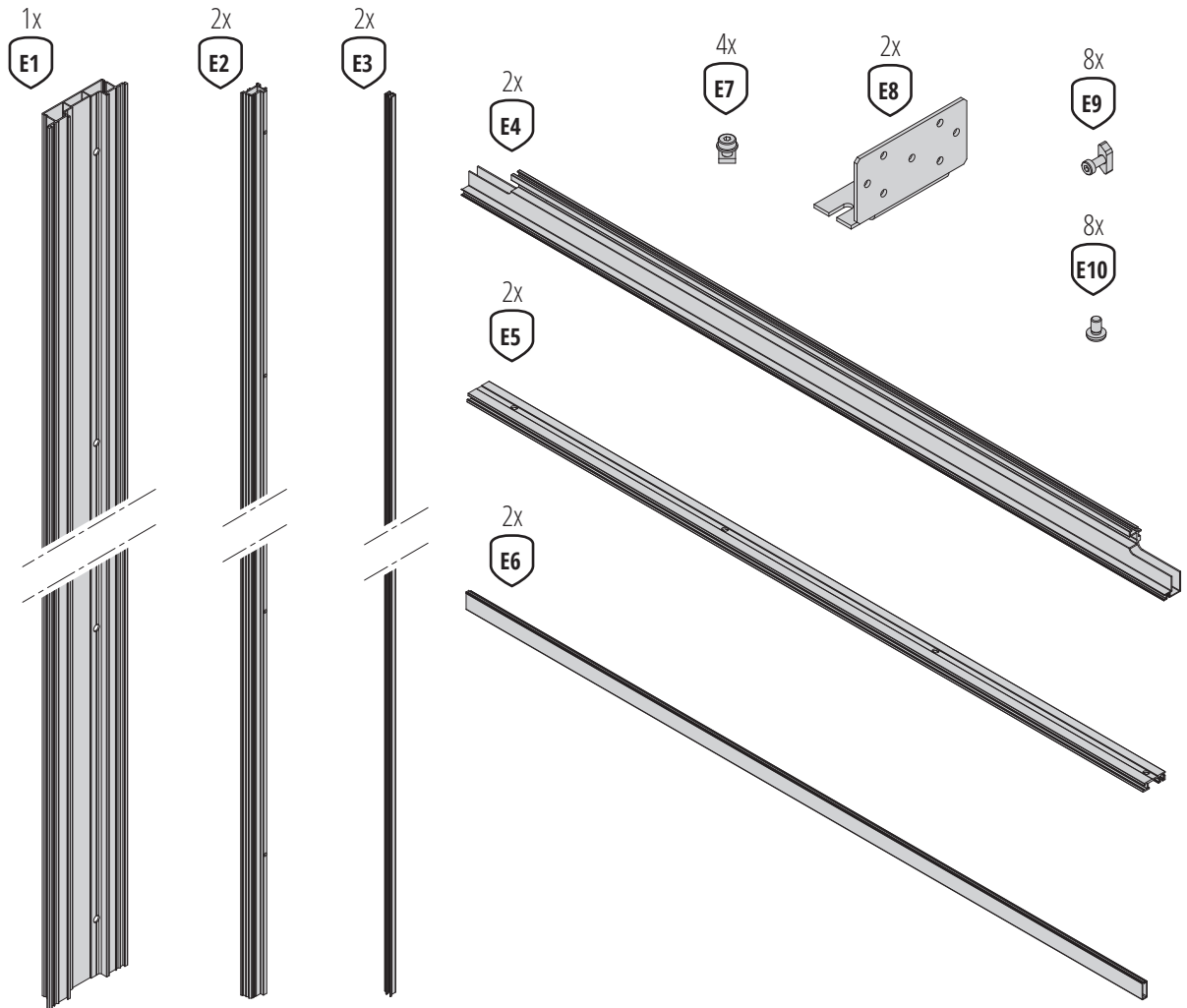
Safety notes

Before assembly, please read the assembly instructions carefully. In case of difficulties in understanding, contact the customer service or your supplier. In order to assemble the purchased product properly, please use the tools indicated on the following page. Since some sheets may have sharp edges, also be sure to protect your hands and work surfaces from cuts or scratches. During assembly, always ensure that you work ergonomically and only assemble alone if you can rule out any risk to your health or other persons. All components were checked for integrity before delivery. No liability is accepted for damage caused by improper assembly or transport.

Required tools

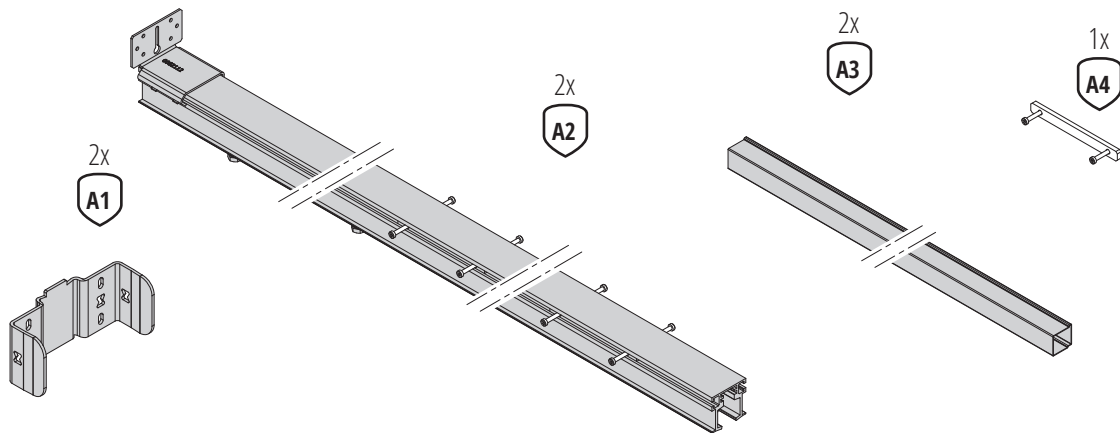


Frameless profile kit

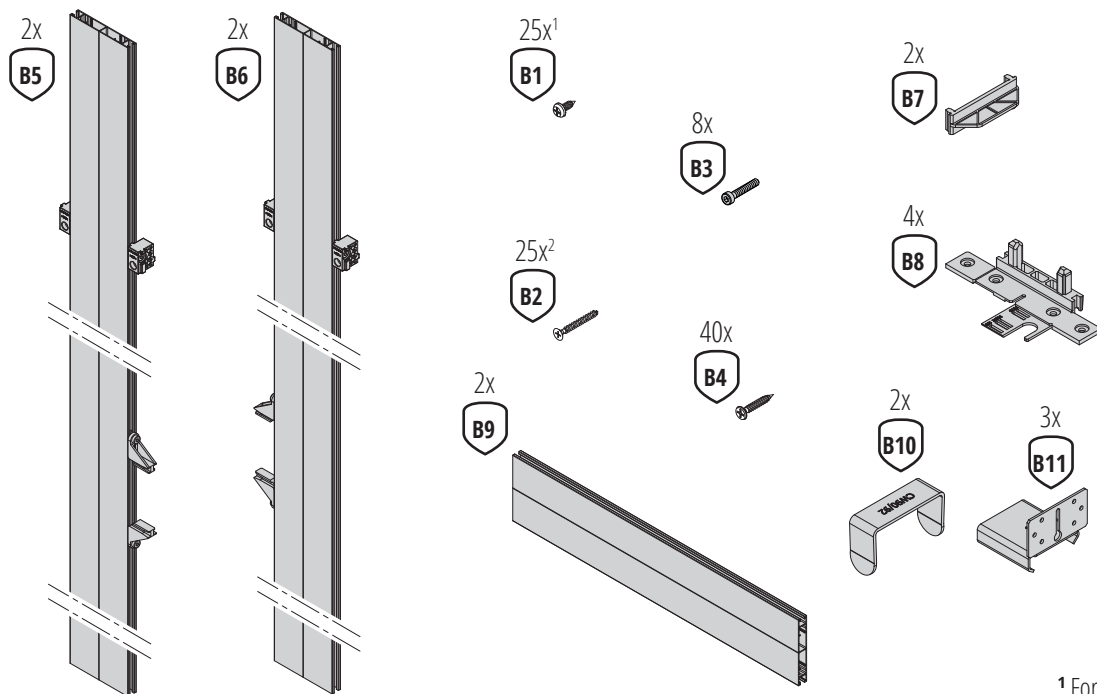


Note:
For double side sliding door installation, two frameless jamb kits are required!

Track incl. wheels, track-in-track and hold-in-place stoppers



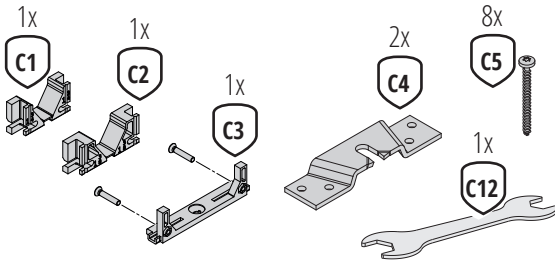
Framing kit



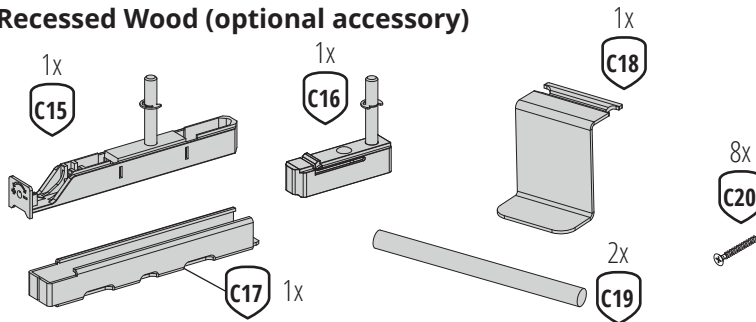
¹ For metal studs
² For 2x4 wood studs

Door hardware

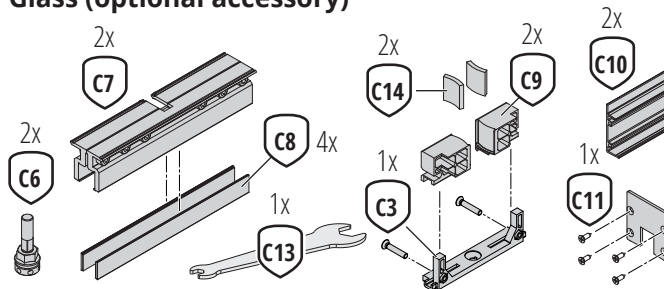
Standard Wood



Recessed Wood (optional accessory)

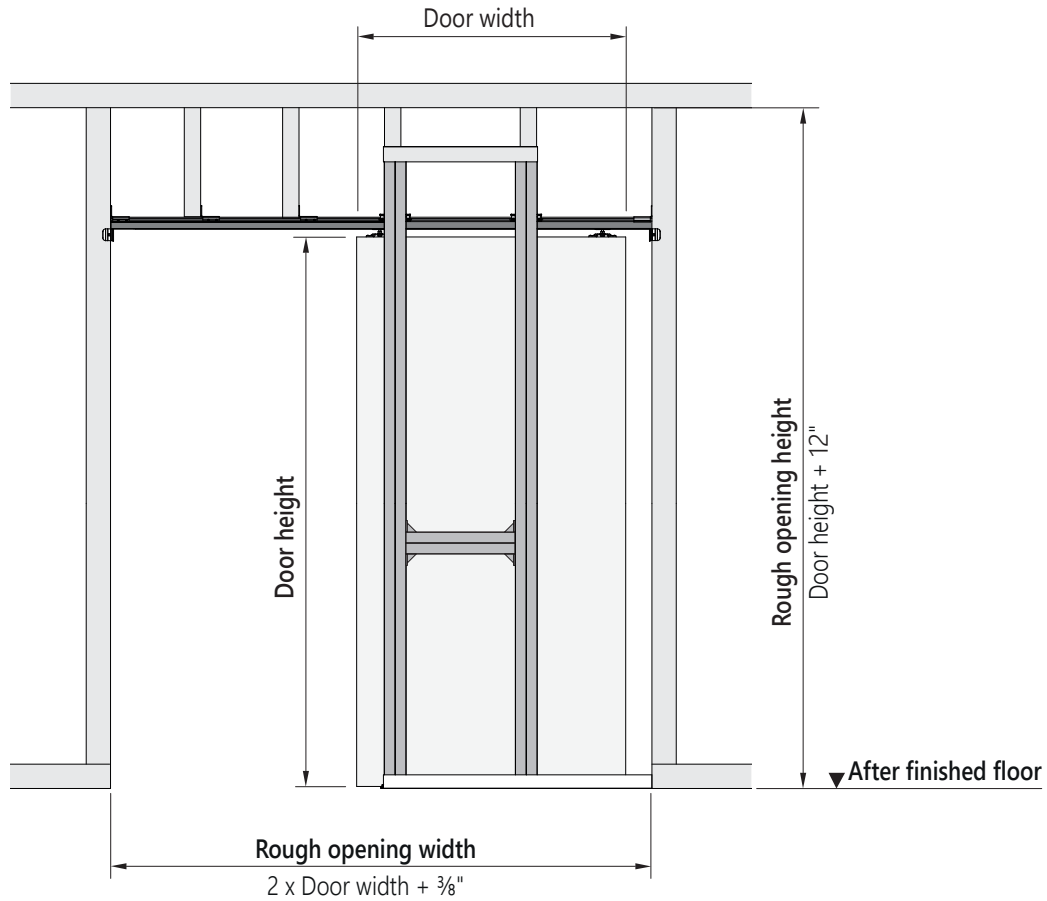


Glass (optional accessory)



Rough opening

Single door

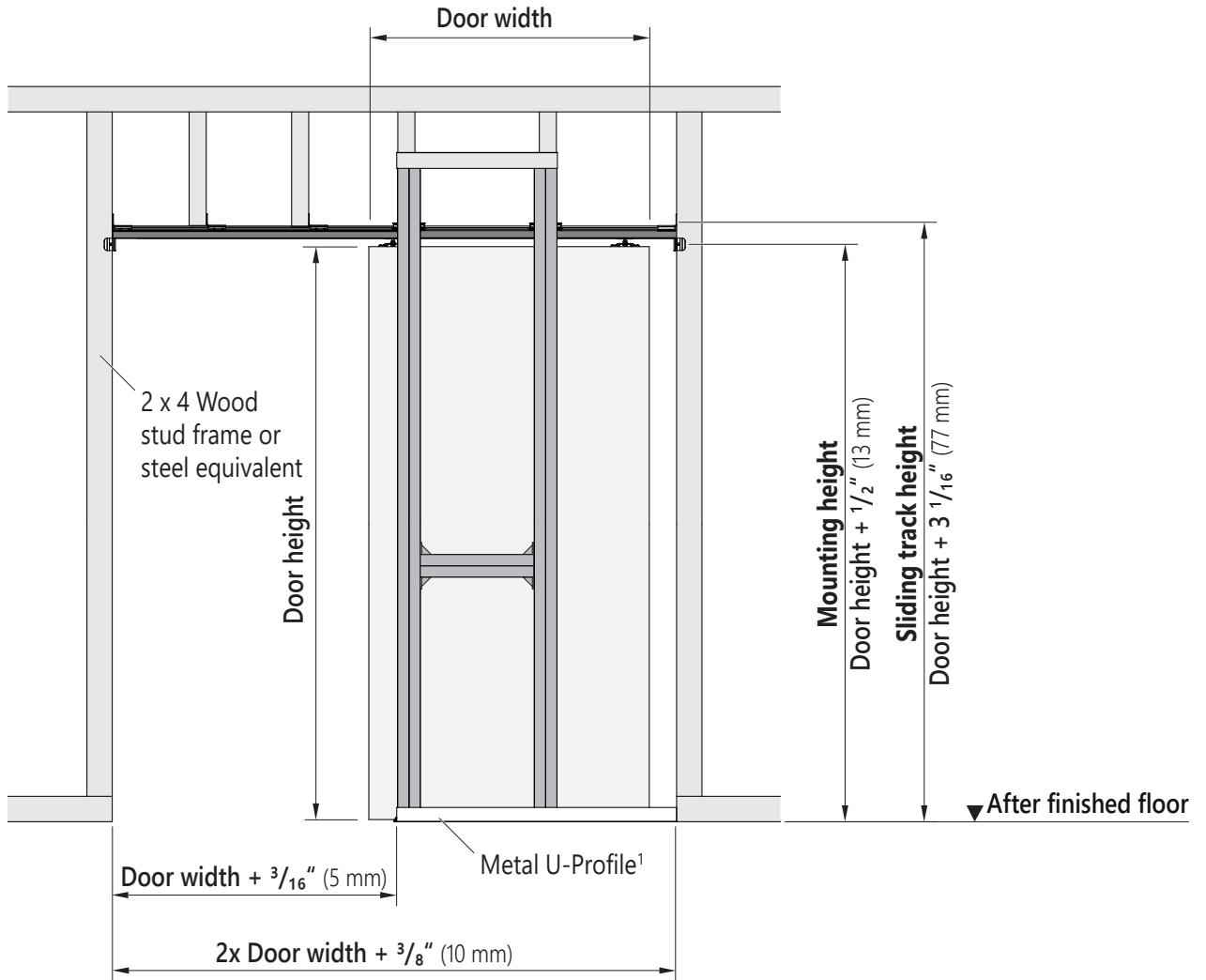


Door width	Door height							
	80"		82"		84"		96"	
	RO width	RO height	RO width	RO height	RO width	RO height	RO width	RO height
24"	48 3/8"	92 ^{**}	48 3/8"	94 ^{**}	48 3/8"	96 ^{**}	48 3/8"	108"
26"	52 3/8"	92 ^{**}	52 3/8"	94 ^{**}	52 3/8"	96 ^{**}	52 3/8"	108"
28"	56 3/8"	92 ^{**}	56 3/8"	94 ^{**}	56 3/8"	96 ^{**}	56 3/8"	108"
30"	60 3/8"	92 ^{**}	60 3/8"	94 ^{**}	60 3/8"	96 ^{**}	60 3/8"	108"
32"	64 3/8"	92 ^{**}	64 3/8"	94 ^{**}	64 3/8"	96 ^{**}	64 3/8"	108"
34"	68 3/8"	92 ^{**}	68 3/8"	94 ^{**}	68 3/8"	96 ^{**}	68 3/8"	108"
36"	72 3/8"	92 ^{**}	72 3/8"	94 ^{**}	72 3/8"	96 ^{**}	72 3/8"	108"
38"	76 3/8"	92 ^{**}	76 3/8"	94 ^{**}	76 3/8"	96 ^{**}	76 3/8"	108"
40"	80 3/8"	92 ^{**}	80 3/8"	94 ^{**}	80 3/8"	96 ^{**}	80 3/8"	108"
42"	84 3/8"	92 ^{**}	84 3/8"	94 ^{**}	84 3/8"	96 ^{**}	84 3/8"	108"
44"	88 3/8"	92 ^{**}	88 3/8"	94 ^{**}	88 3/8"	96 ^{**}	88 3/8"	108"
46"	92 3/8"	92 ^{**}	92 3/8"	94 ^{**}	92 3/8"	96 ^{**}	92 3/8"	108"
48"	96 3/8"	92 ^{**}	96 3/8"	94 ^{**}	96 3/8"	96 ^{**}	96 3/8"	108"

* Minimum required rough opening height. If you have enough headroom, you can install the pocket hardware without cutting the vertical pocket profiles. This requires a rough opening height of 108" or more.

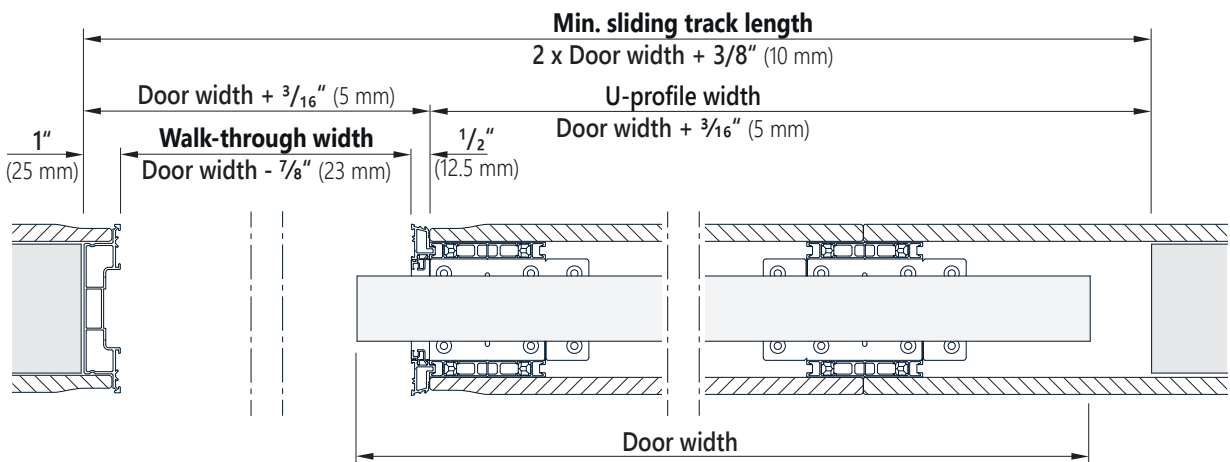
Front view

Standard wood mounts, for frameless profiles



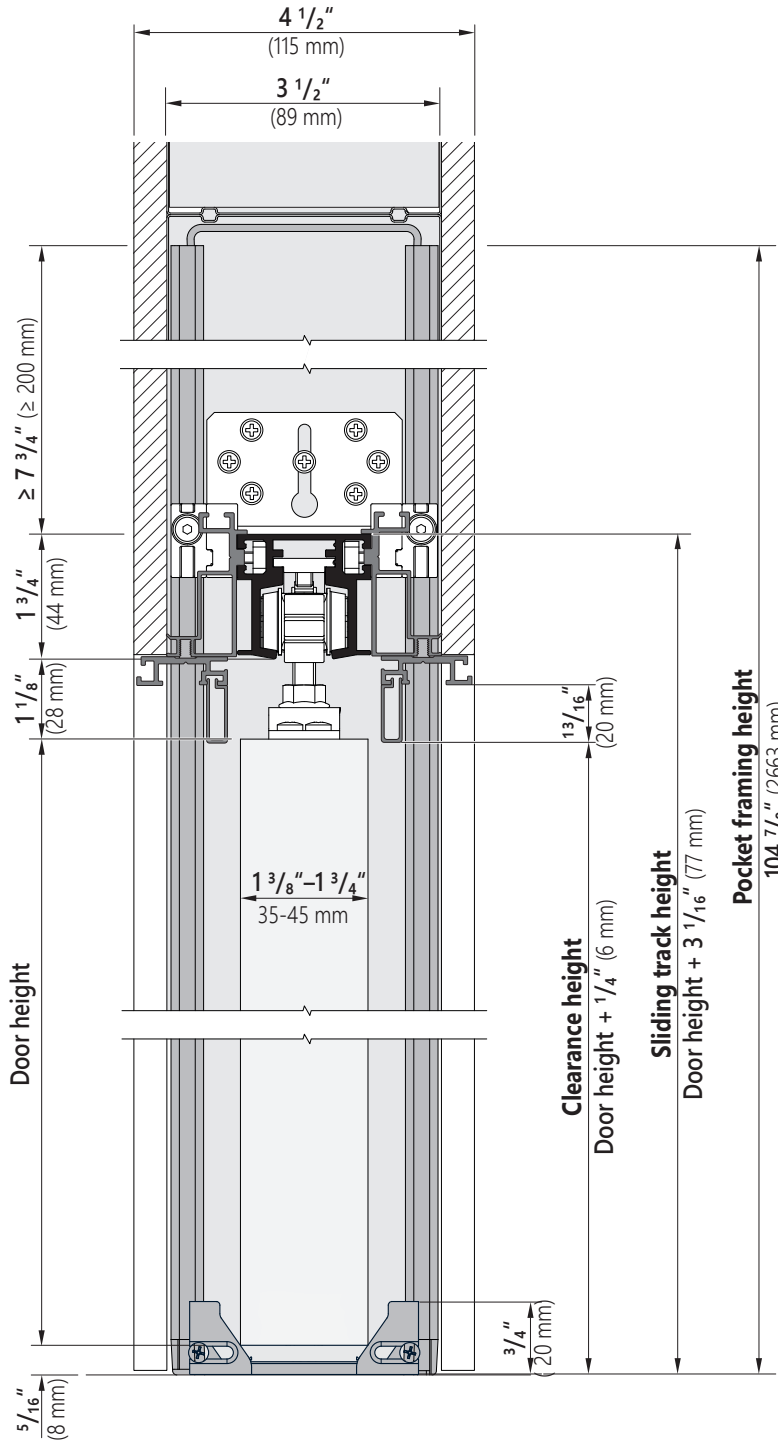
Top view

Standard wood mounts with frameless profiles



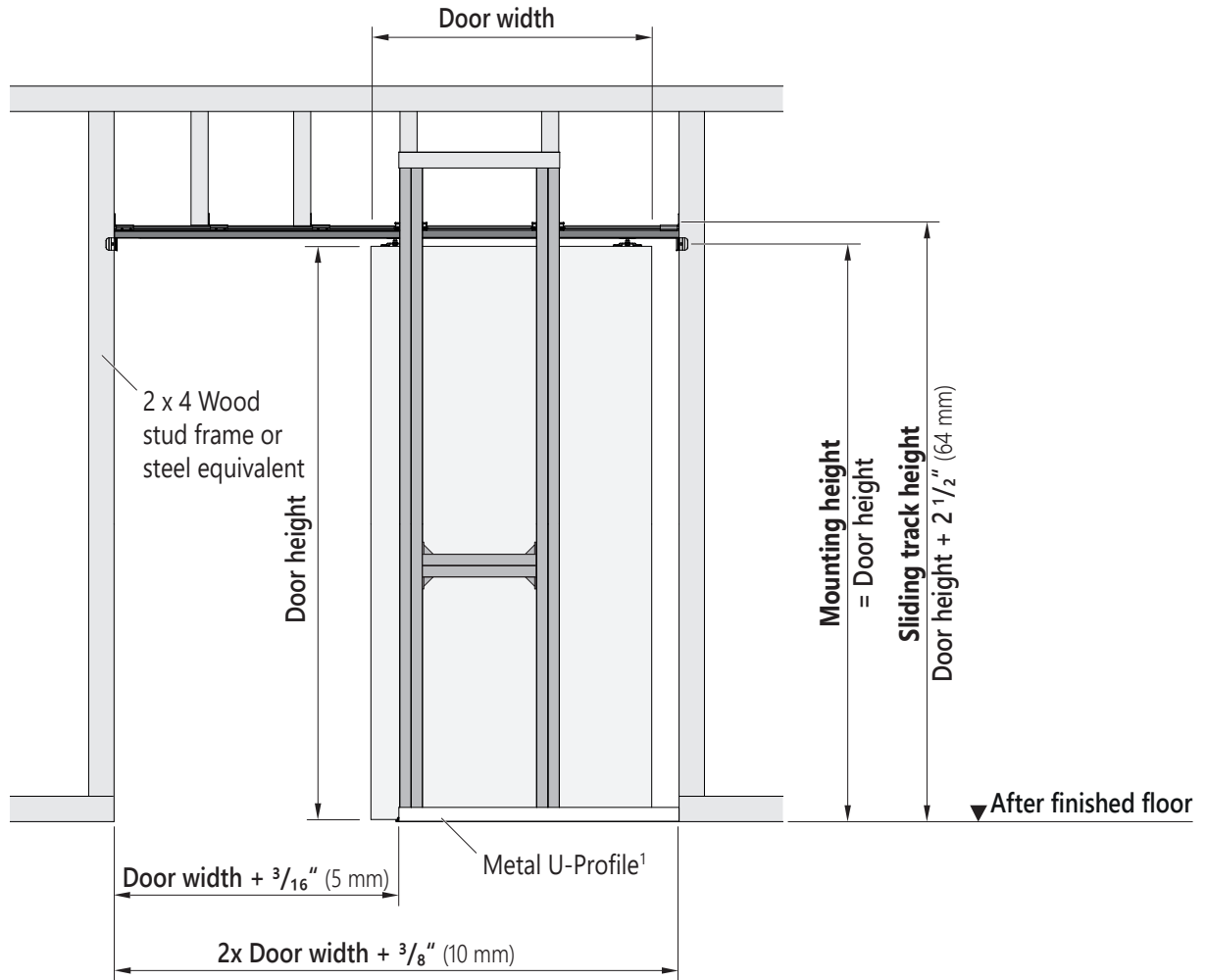
Side view

Standard wood mounts with frameless profiles



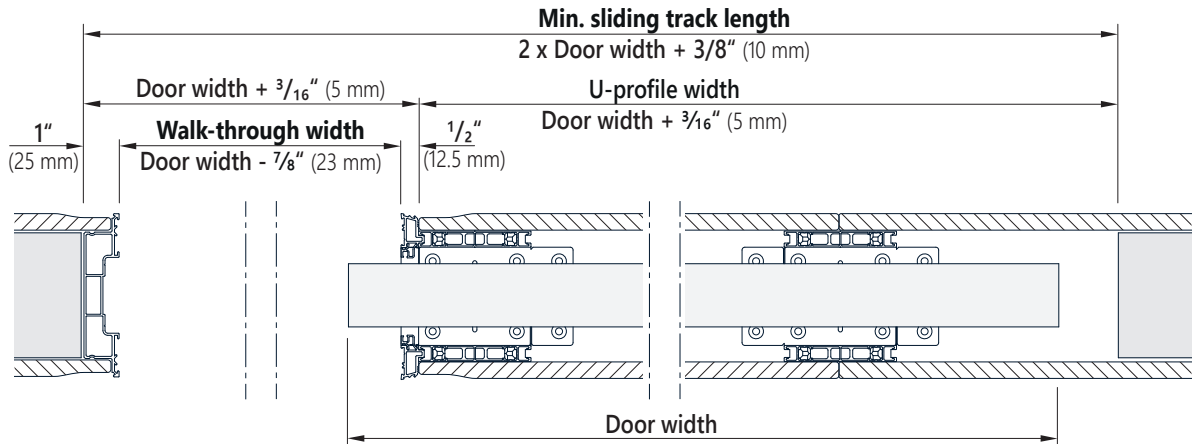
Front view

Recessed wood mounts, for frameless profiles



Top view

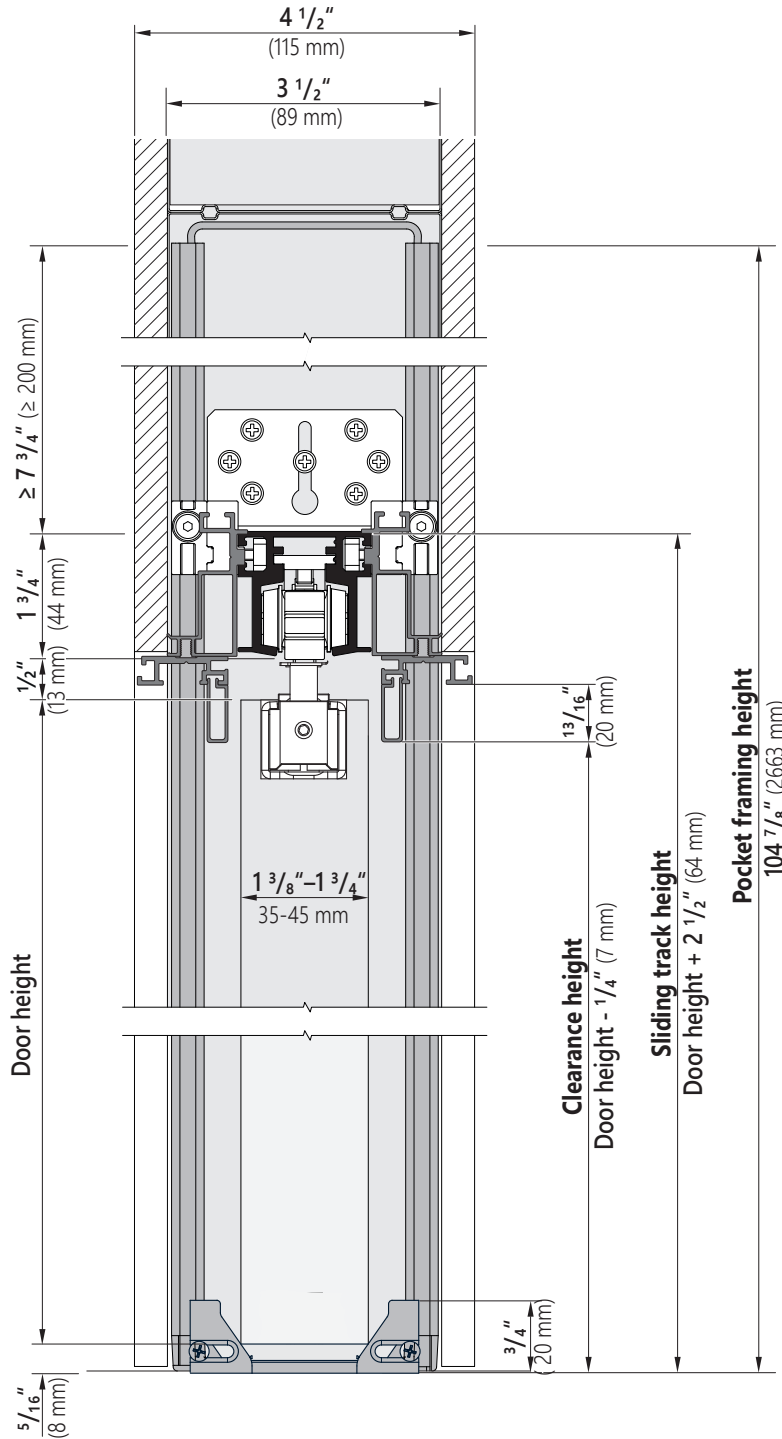
Standard wood mounts with frameless profiles



¹ U-profile is not included. Use U-shaped metal stud with correct dimensions. The profile is recommended but not needed.

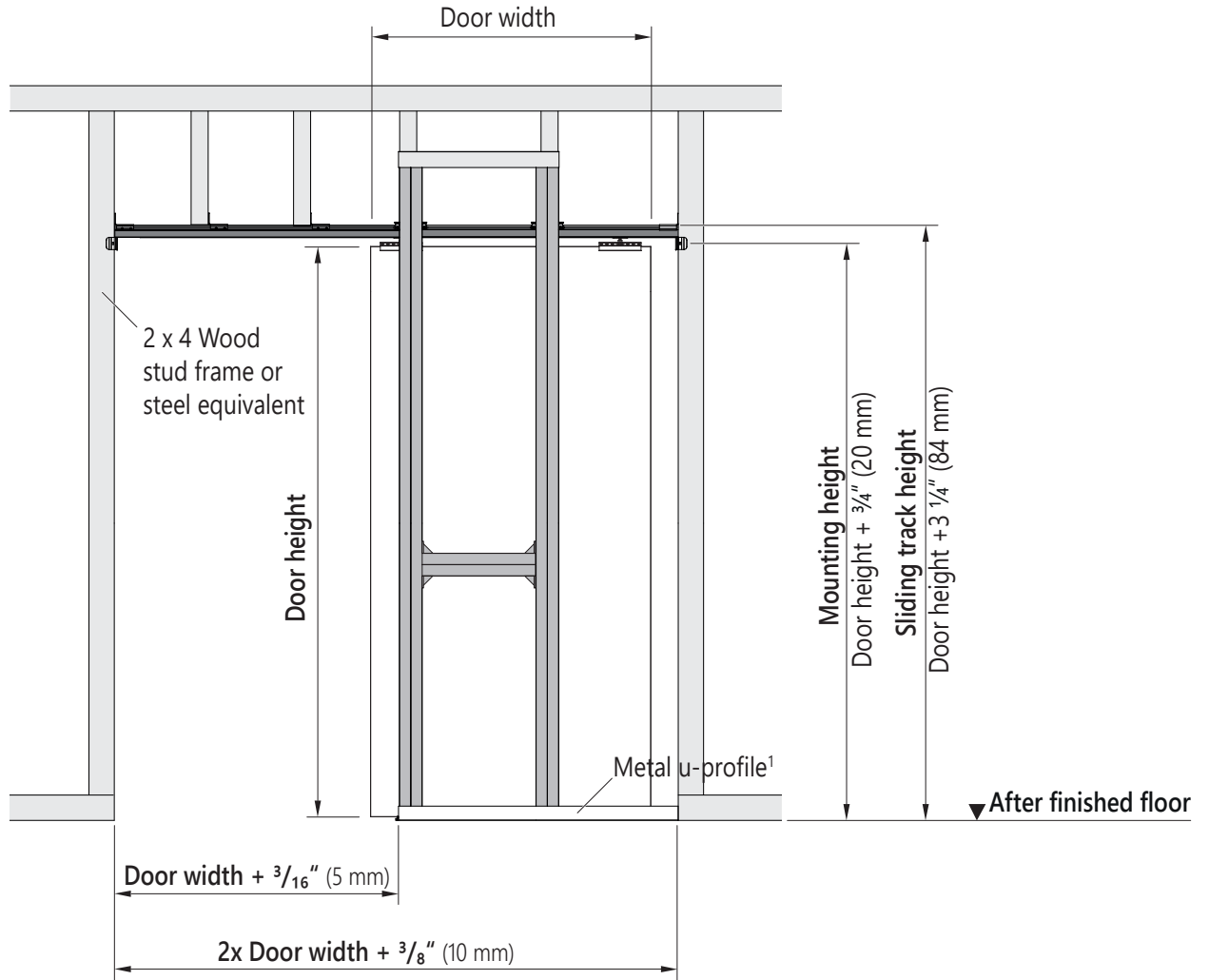
Side view

Recessed wood mounts with frameless profiles



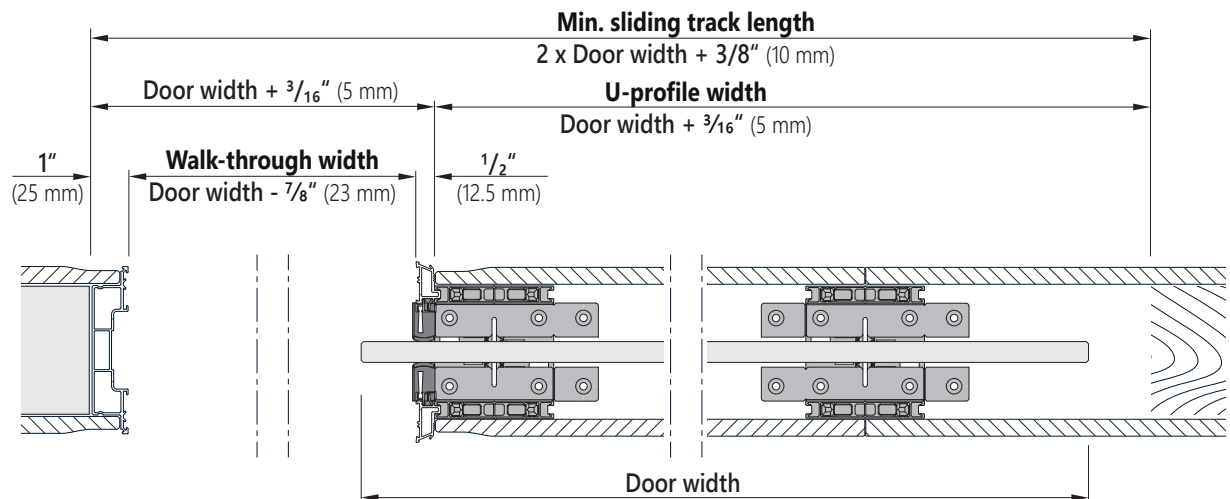
Front view

Glass clamps, for frameless profiles



Top view

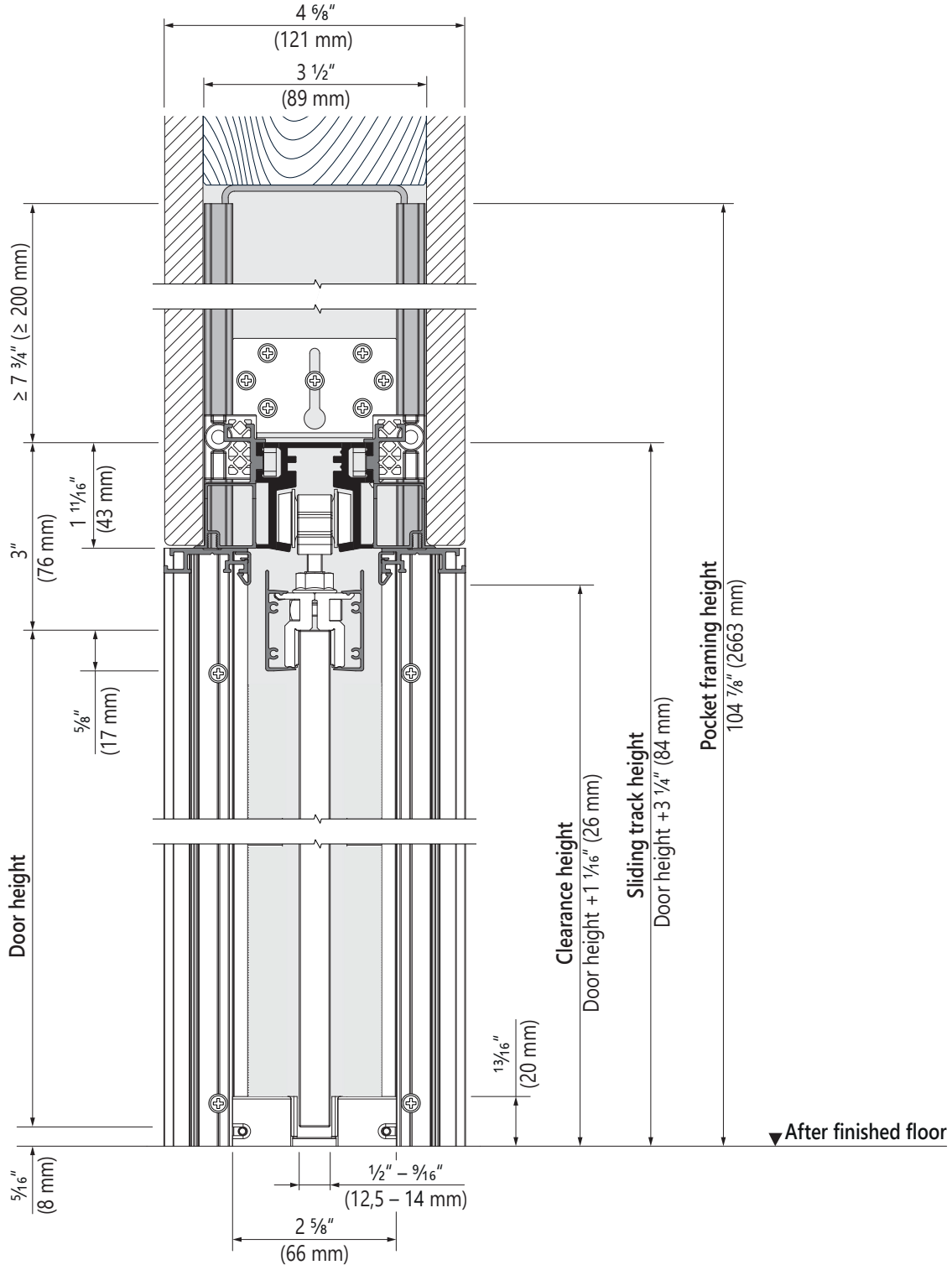
Glass clamps with frameless profiles



¹ U-profile is not included. Use U-shaped metal stud with correct dimensions. The profile is recommended but not needed.

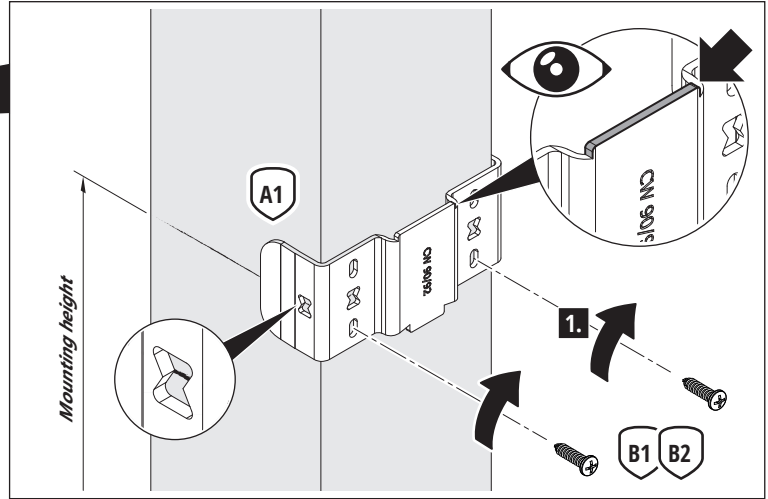
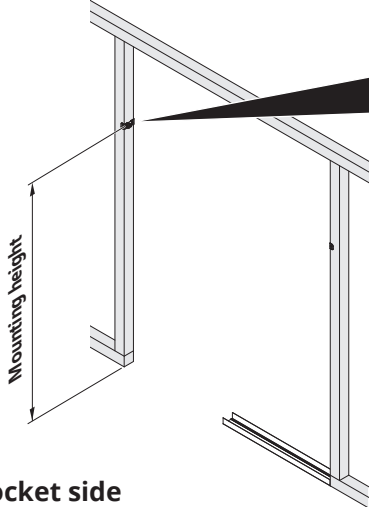
Side view

Glass clamps with frameless profiles

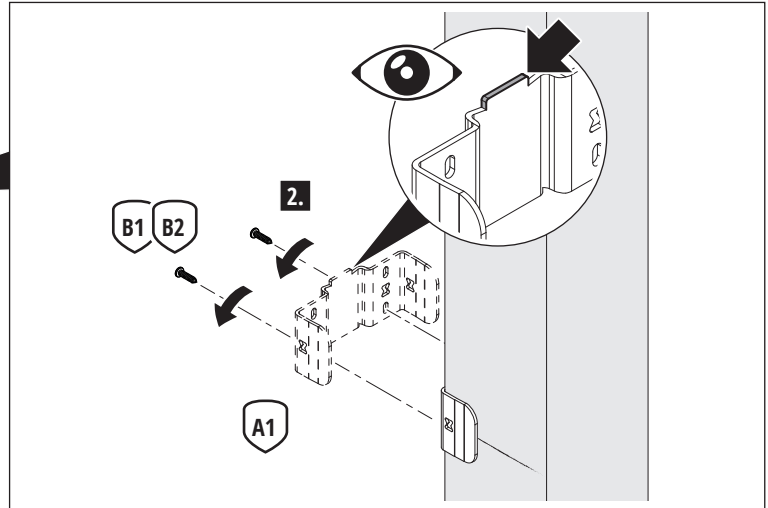
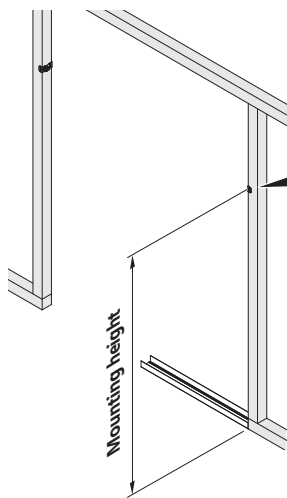


1.

Door stop side



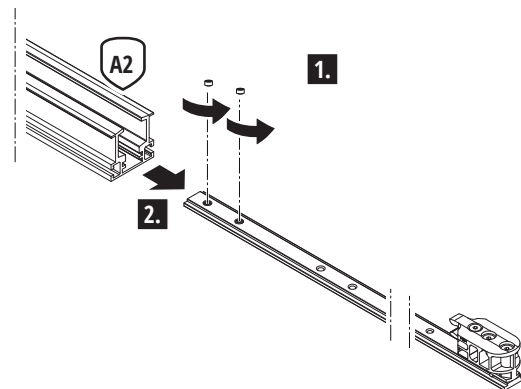
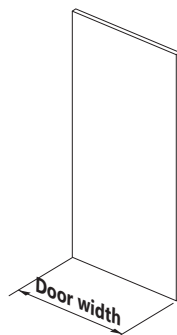
Pocket side



Note:

For mounting height, see pages 7 (standard wood mounts), 9 (recessed wood mounts) and 11 (glass clamps).

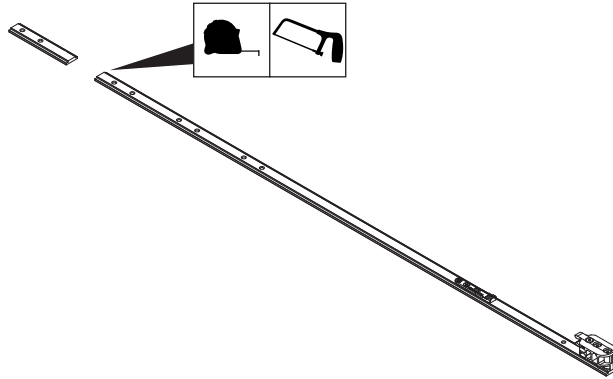
2.



3.

Note:

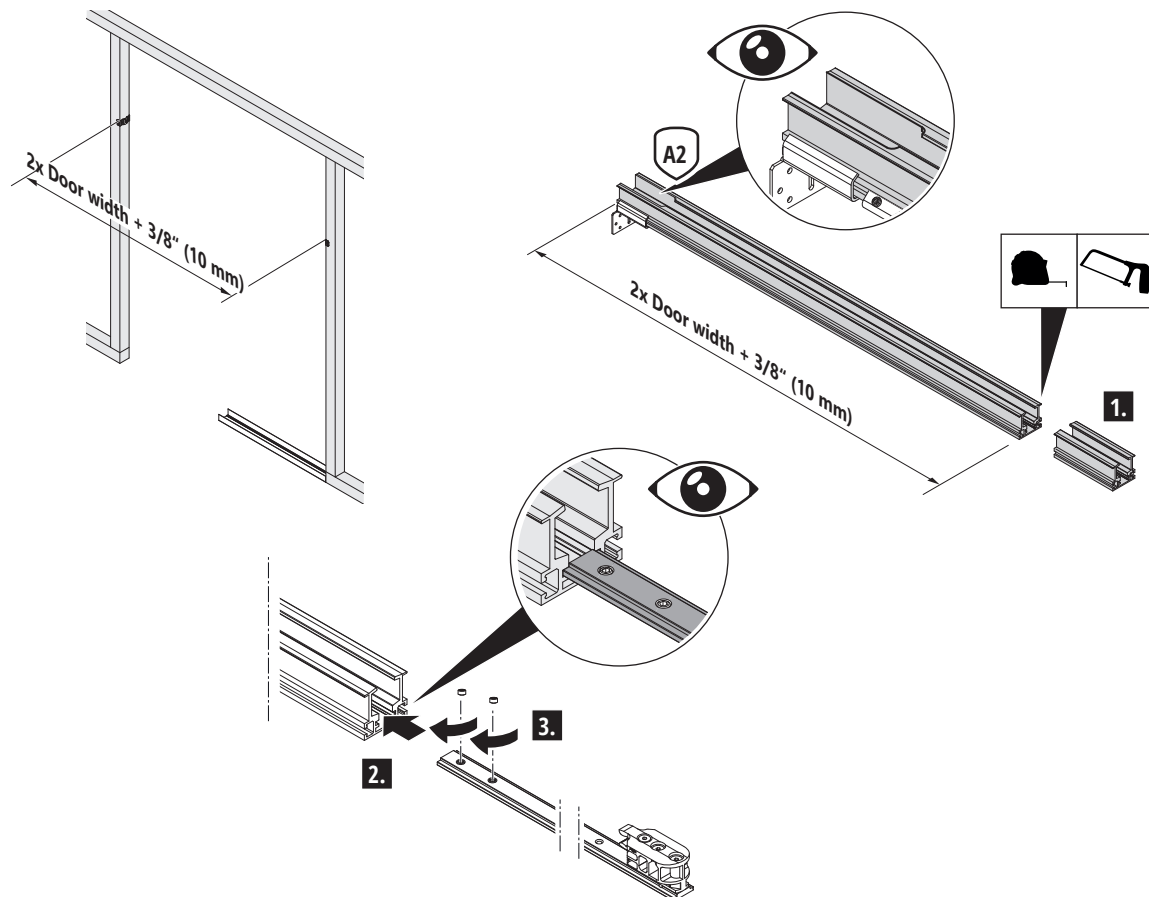
Cut track-in-track according to the markings for different door sizes.



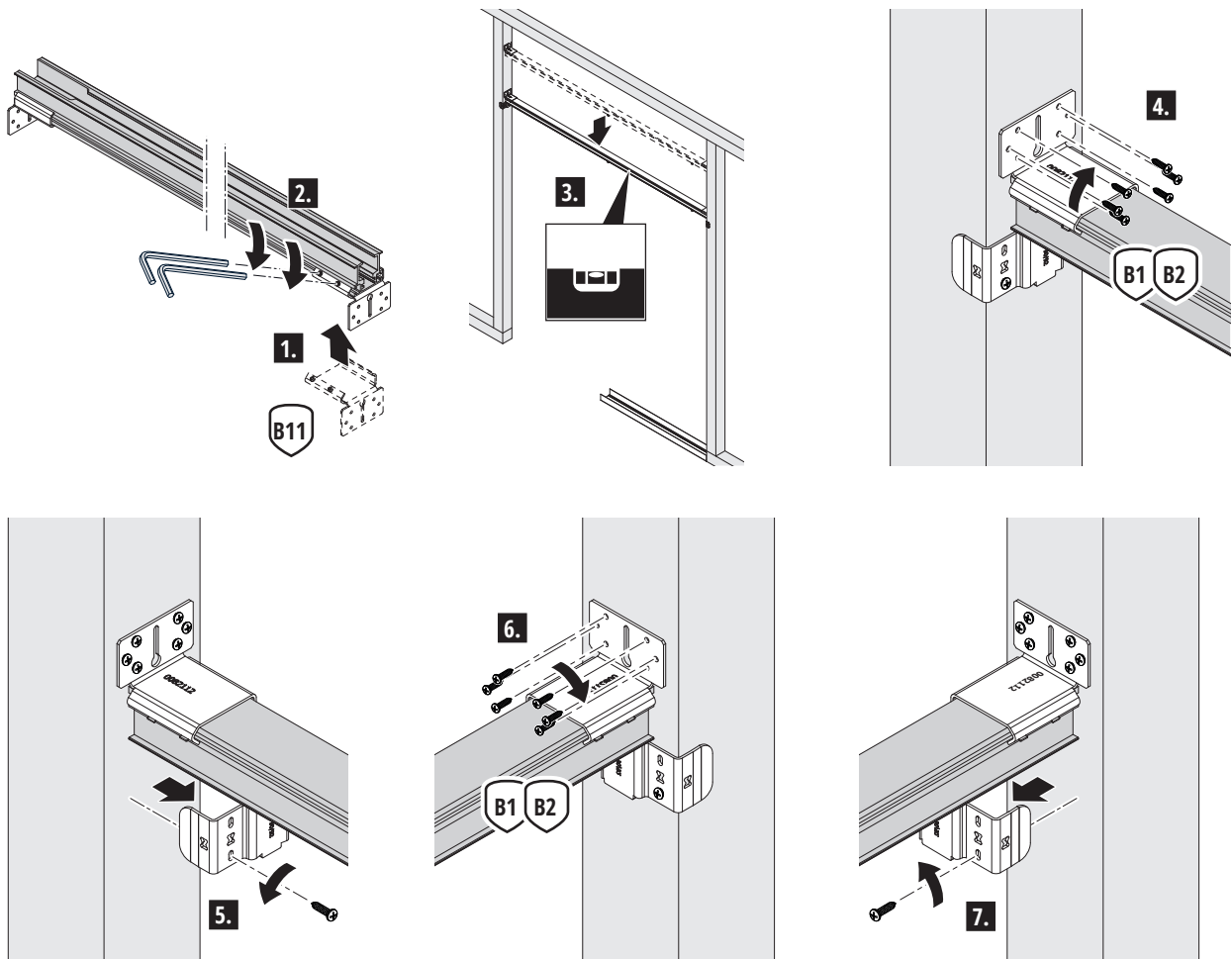
4.

Note:

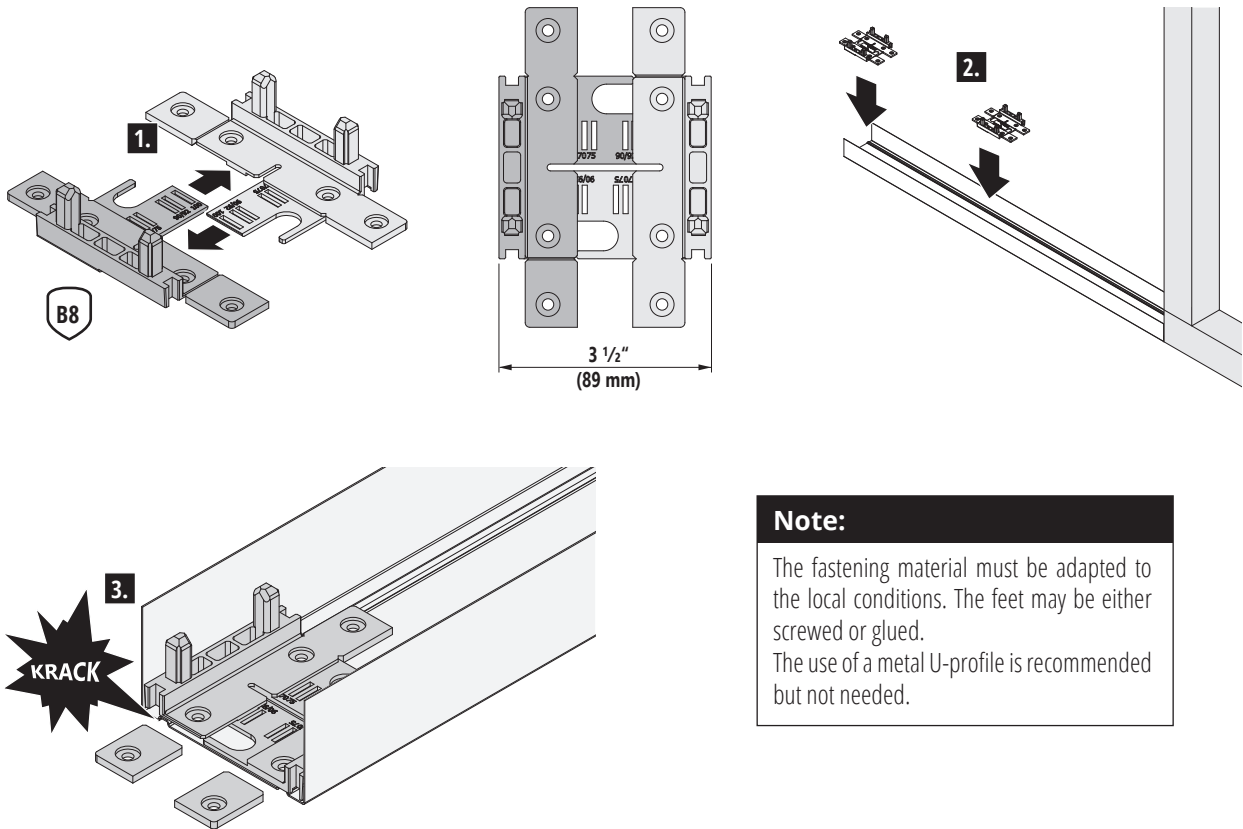
Should you plan to use Soft-Close, Push-To-Open, heavy duty wheels or Sync, install them before attaching the track. Follow the steps of the separate installation instructions and then come back to this page.



5.



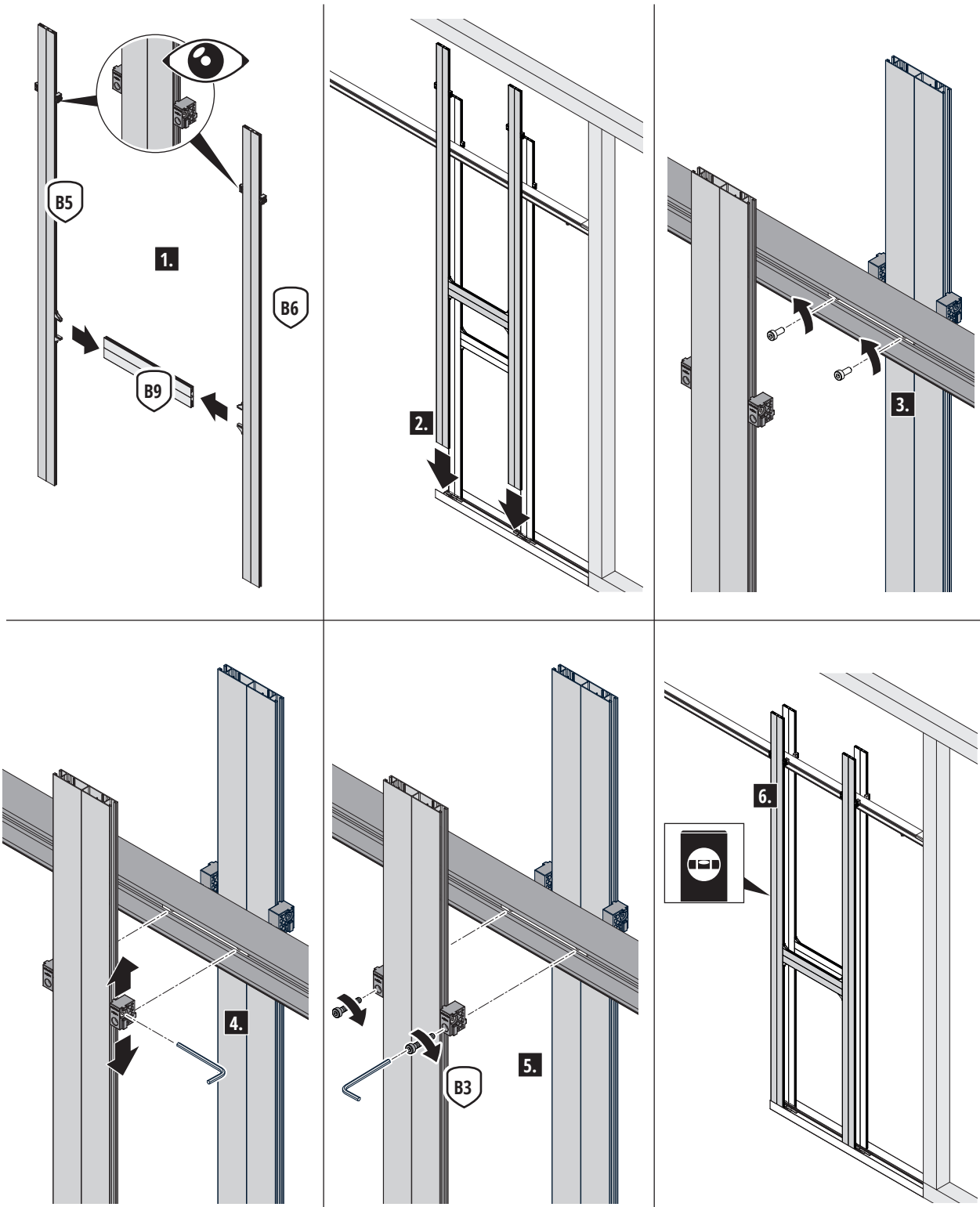
6.



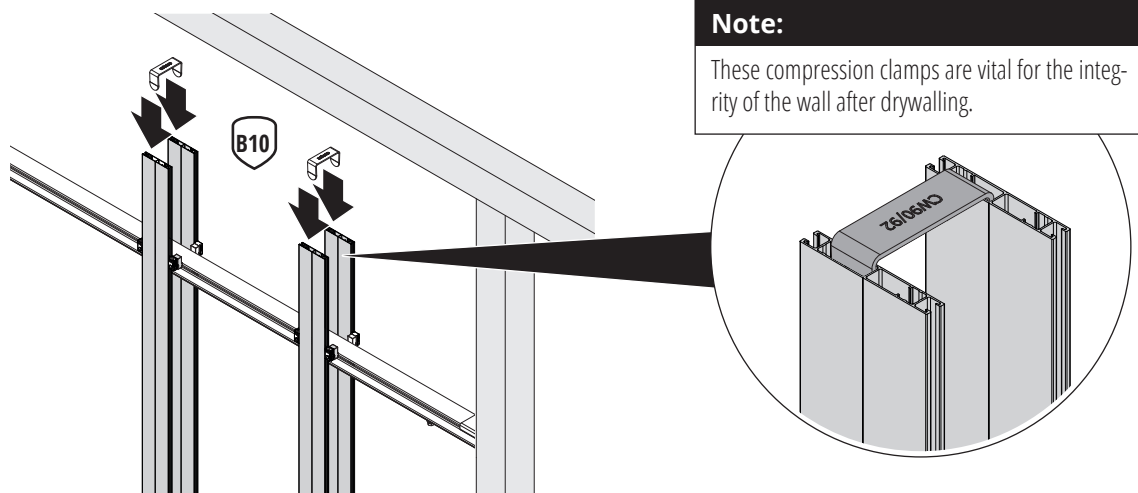
Note:

The fastening material must be adapted to the local conditions. The feet may be either screwed or glued. The use of a metal U-profile is recommended but not needed.

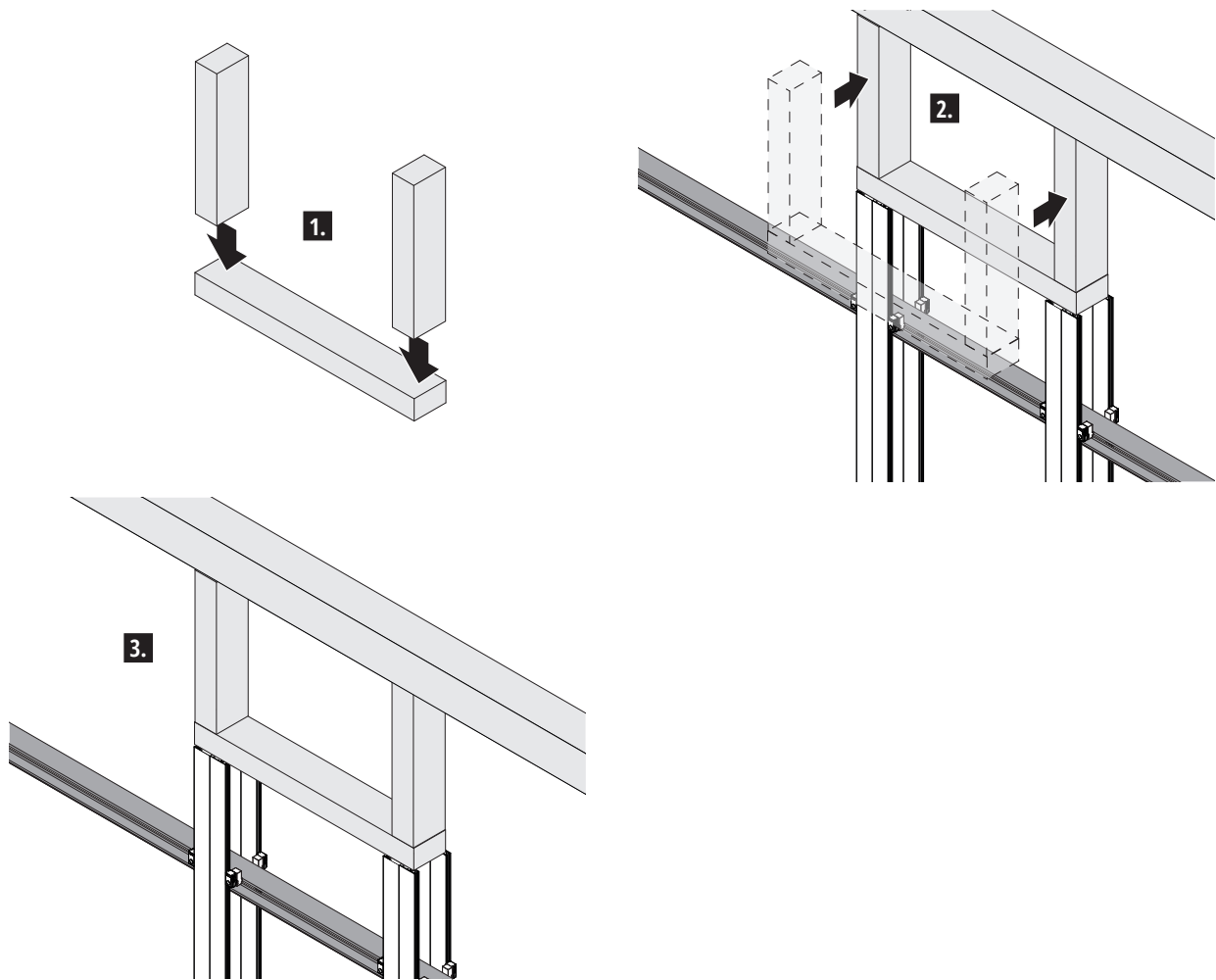
7.



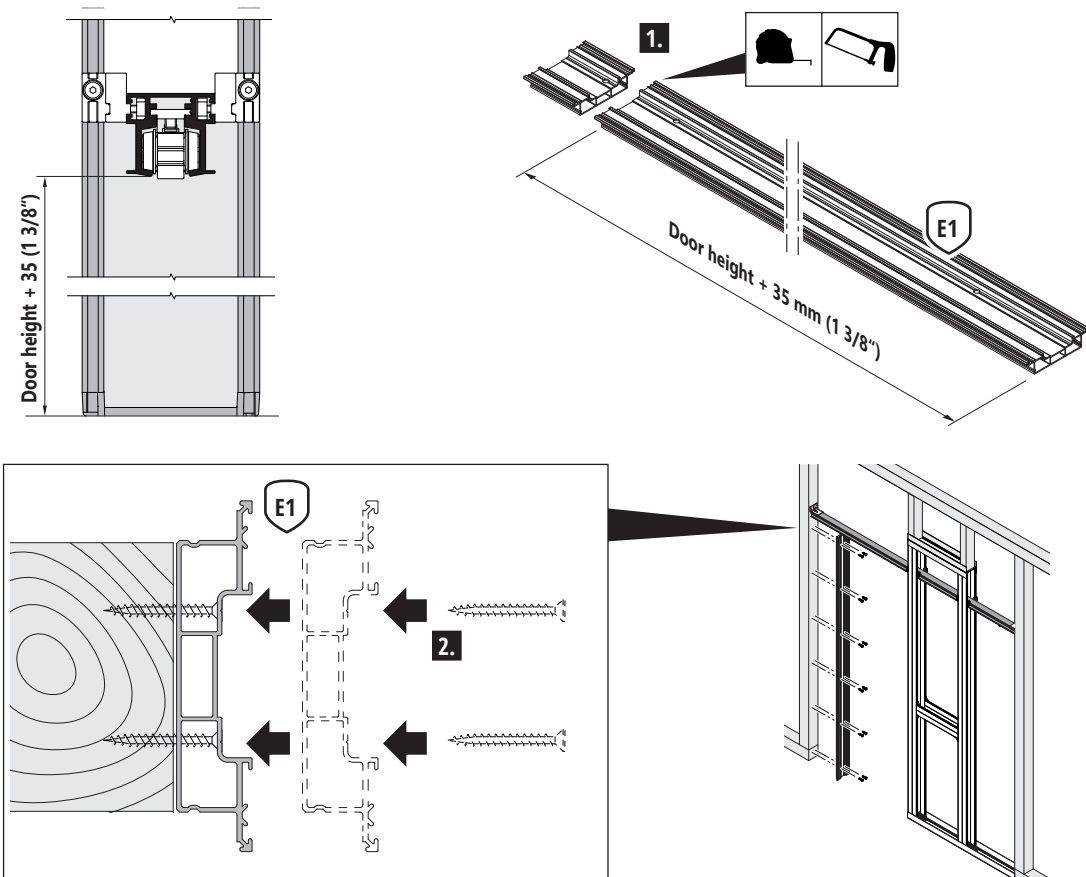
8.



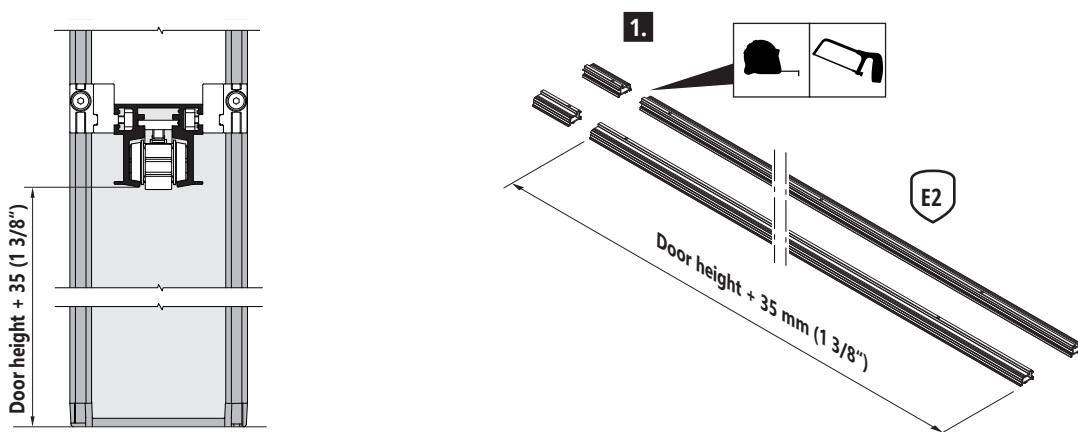
9.

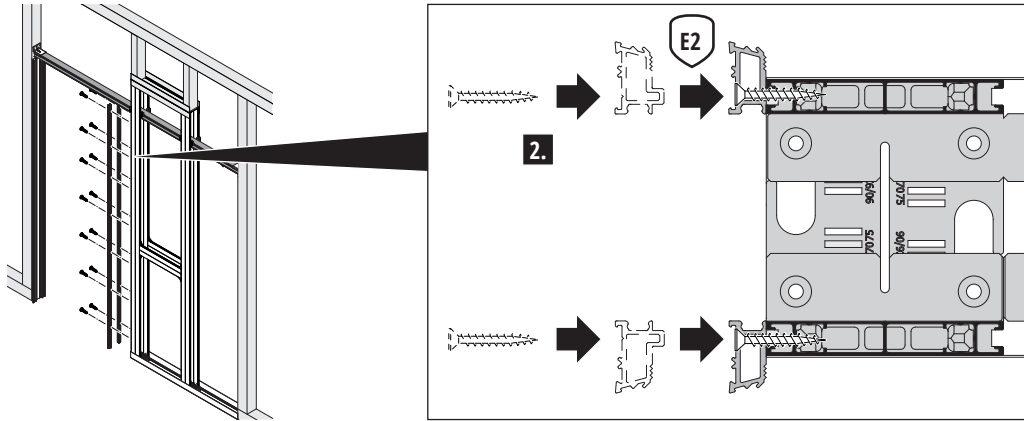


10.

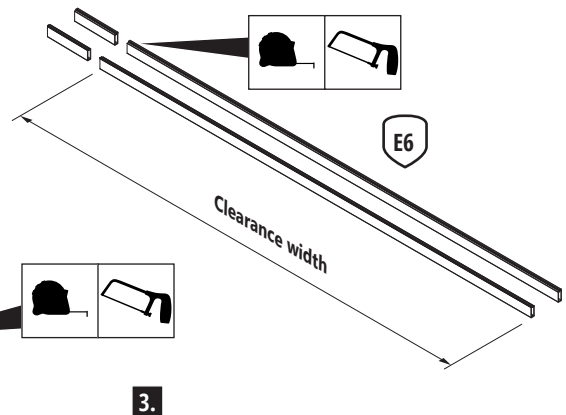
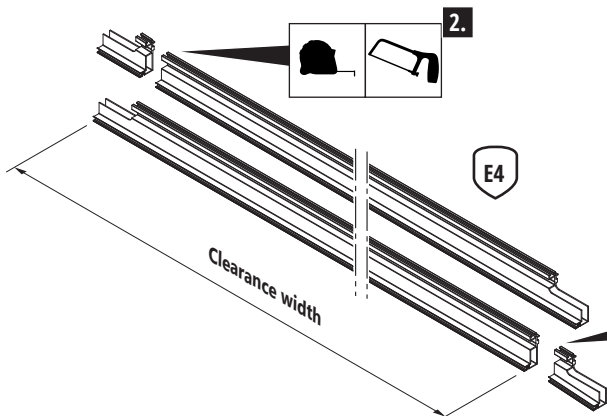
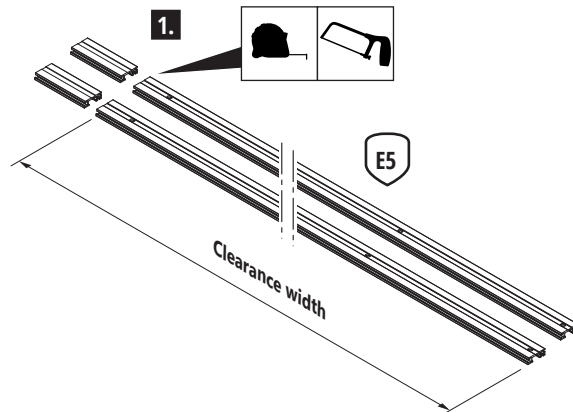
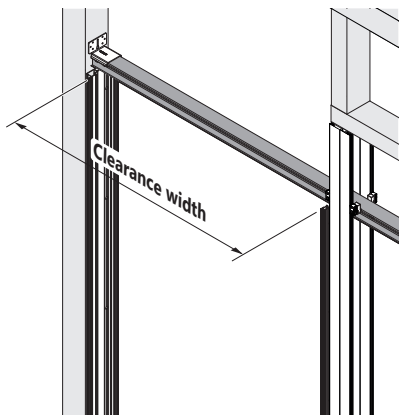


11.

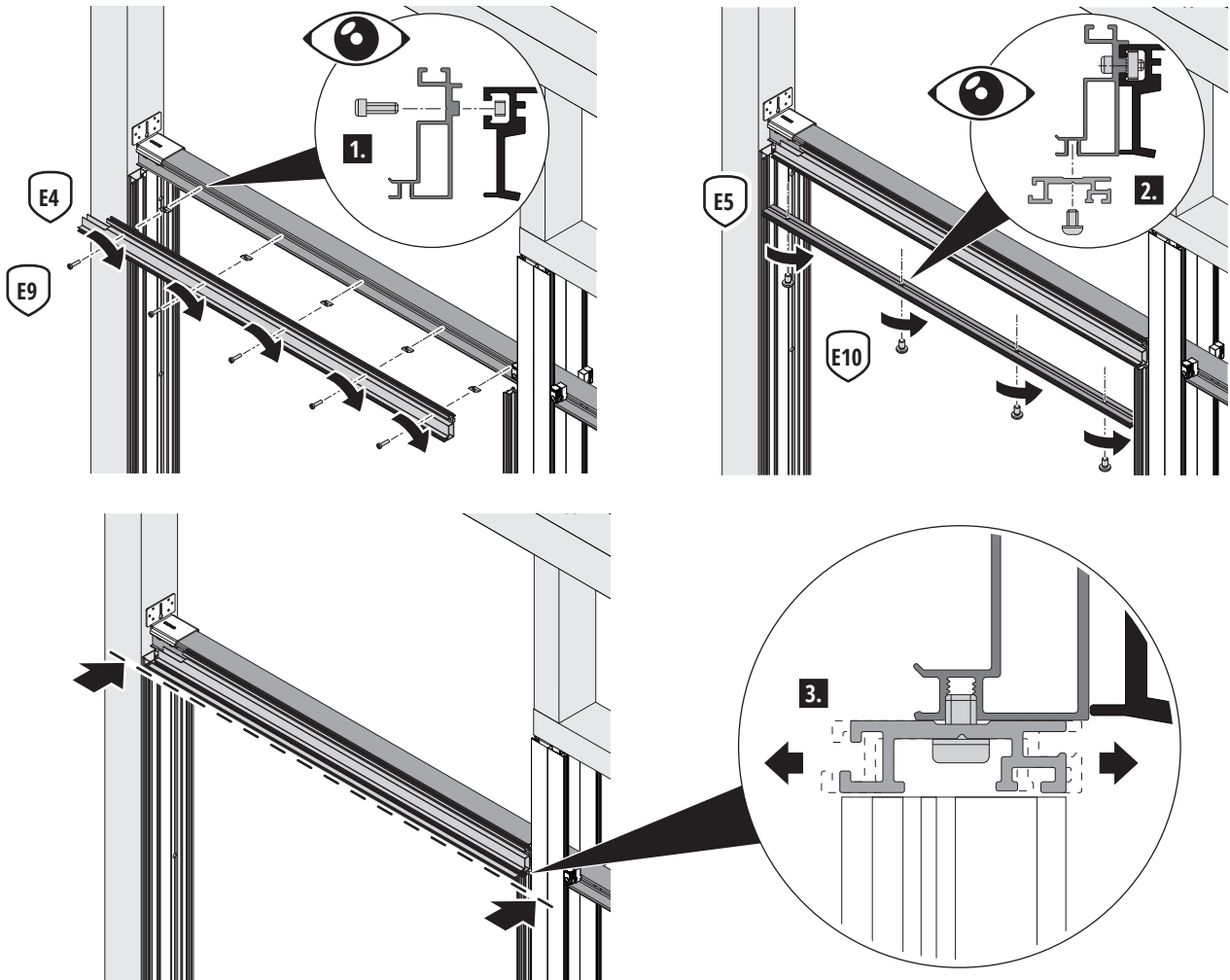




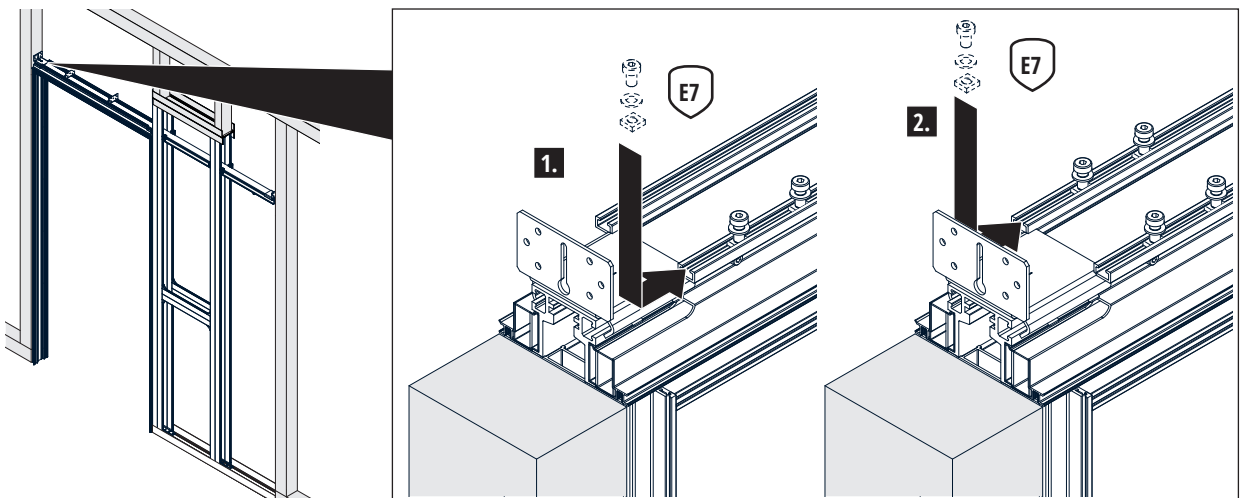
12.

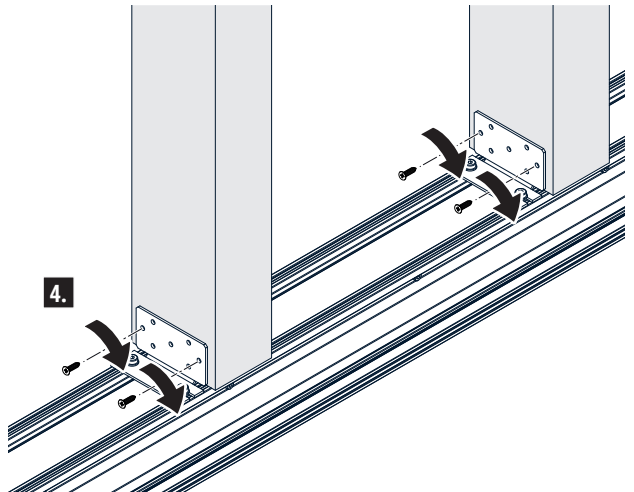
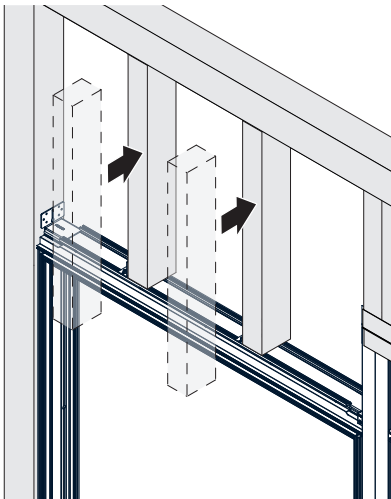
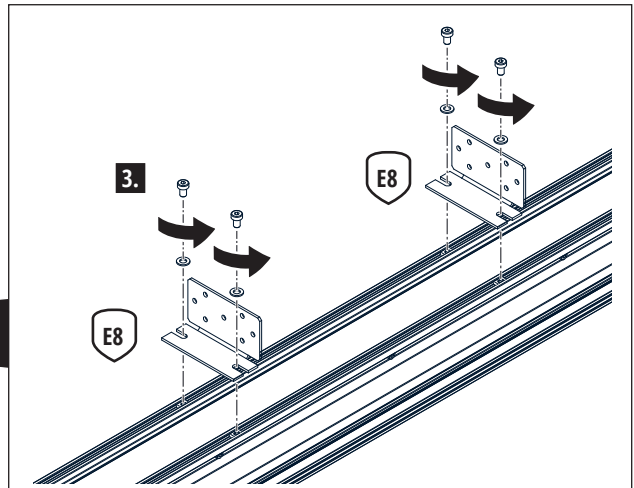
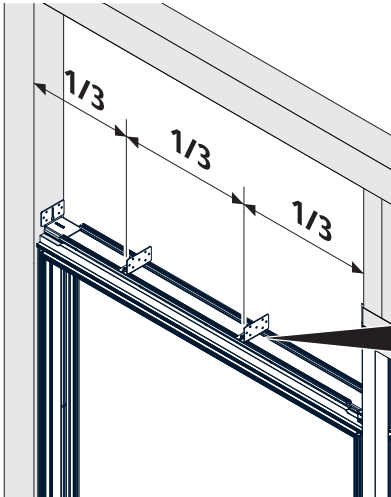


13.



14.



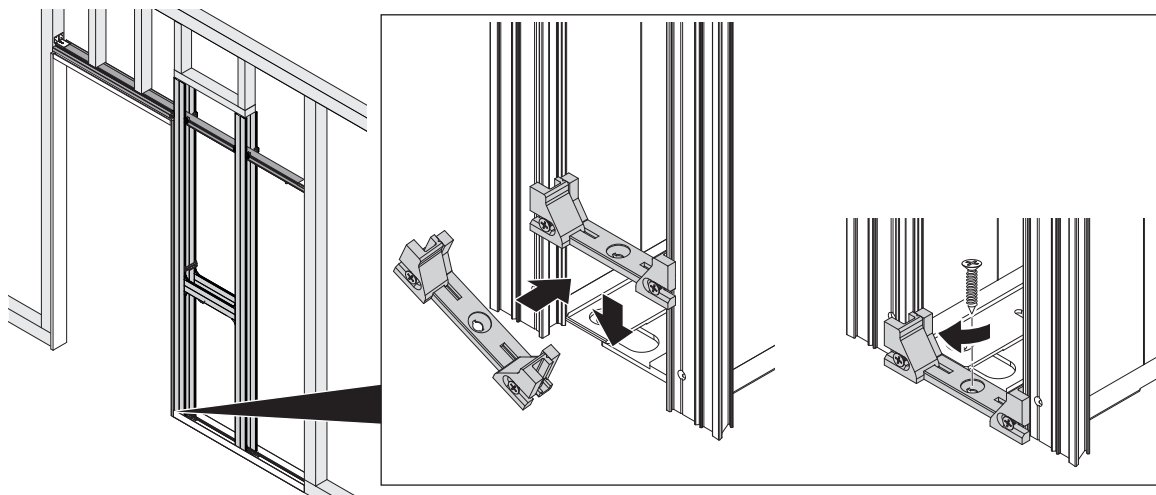
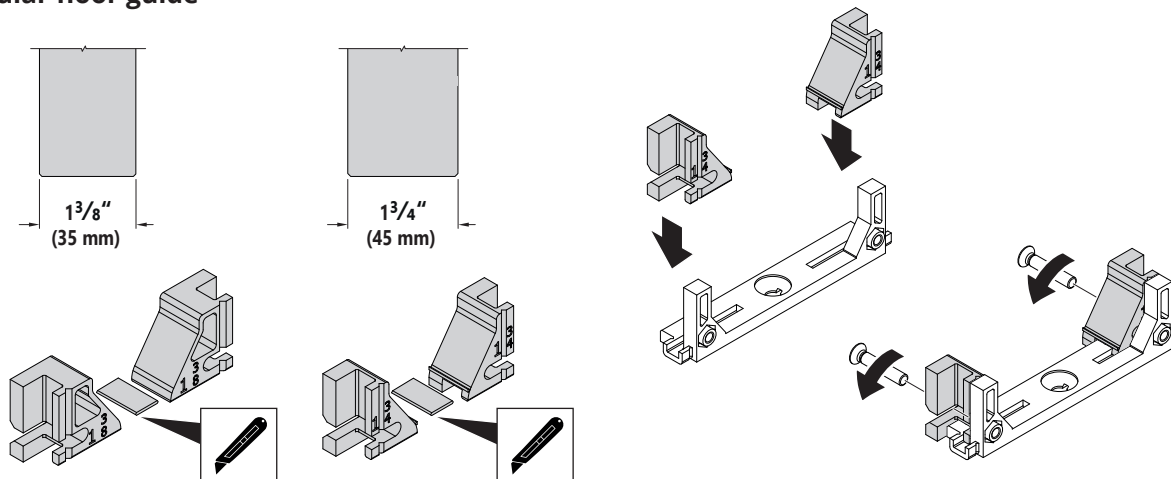


Note:

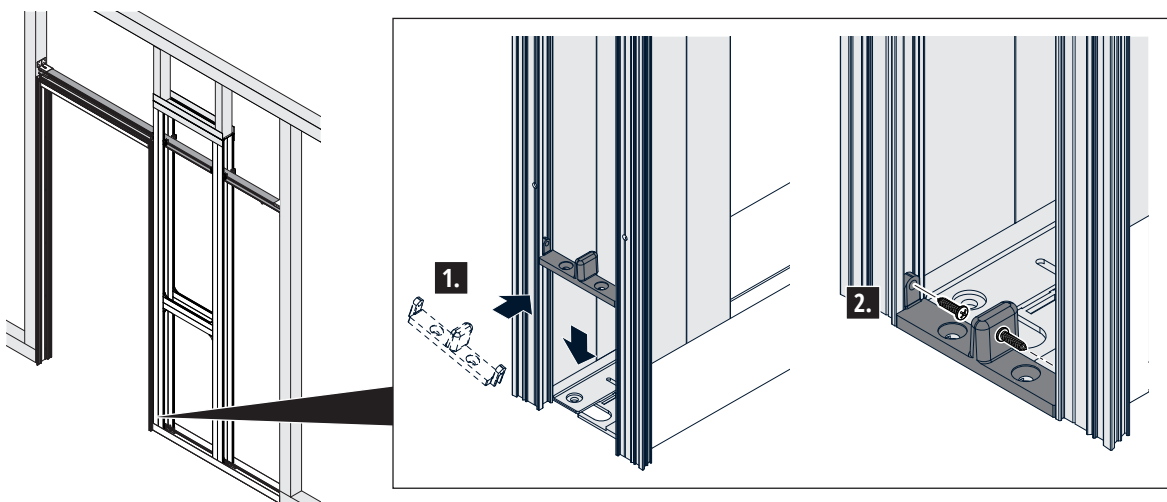
Install the door before attaching the valances!
Wood door » p. 21

Wood 15.

Regular floor guide

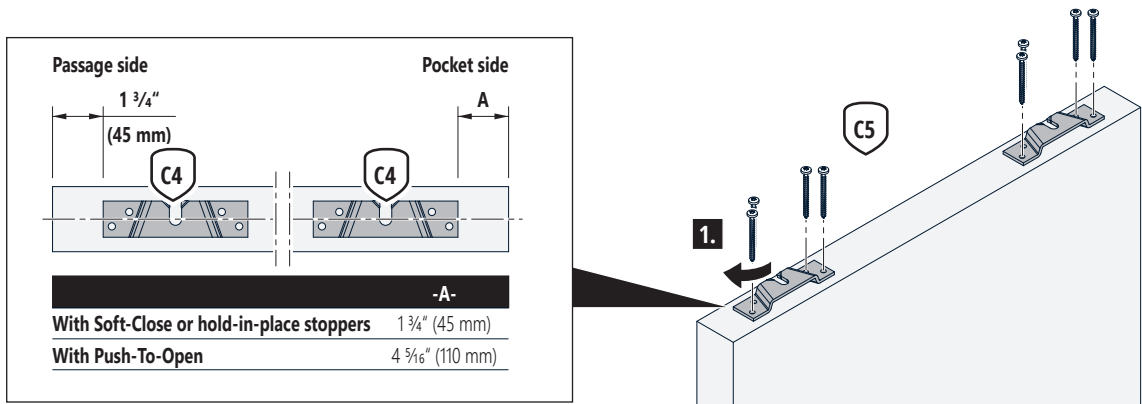


Concealed floor guide

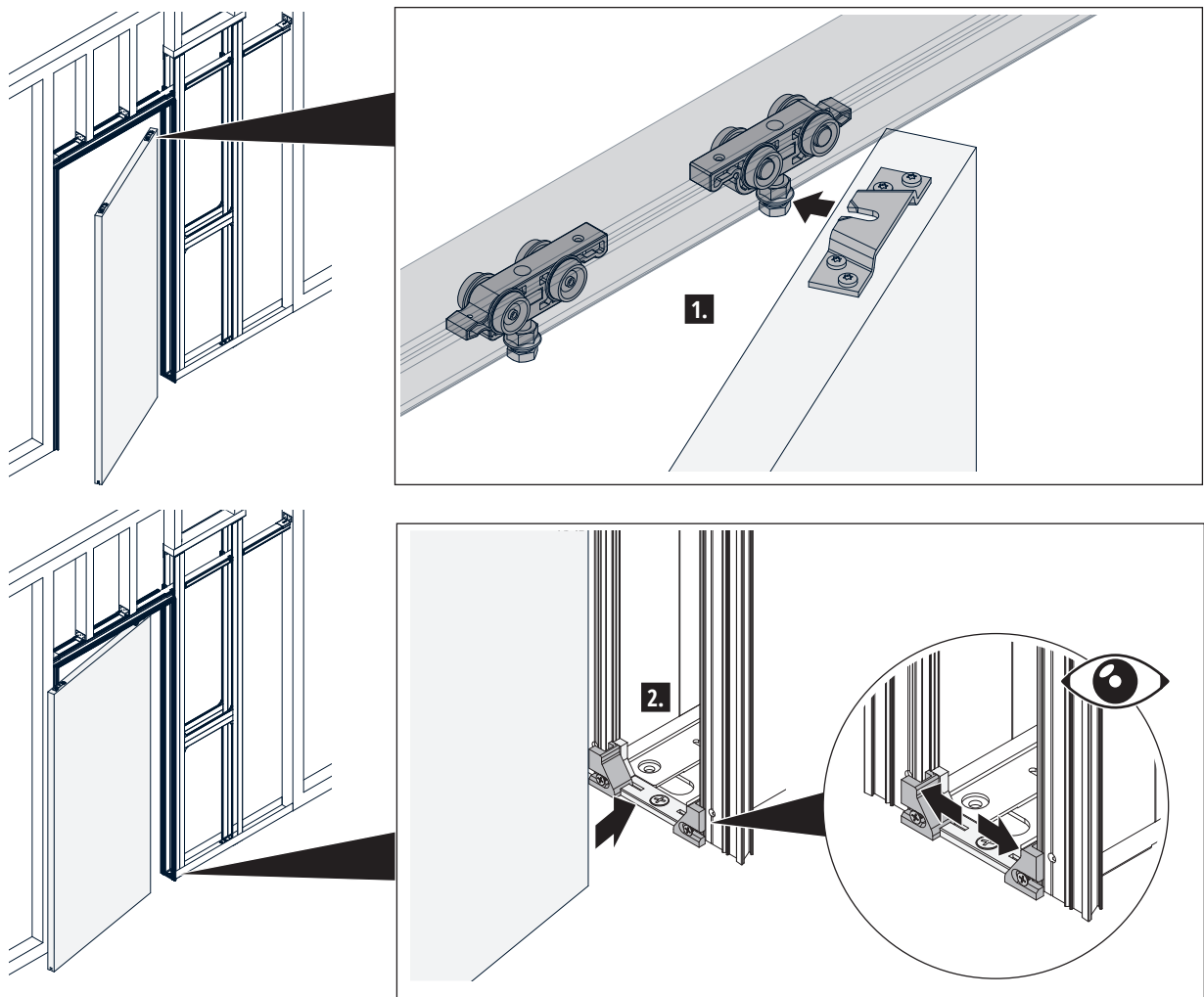


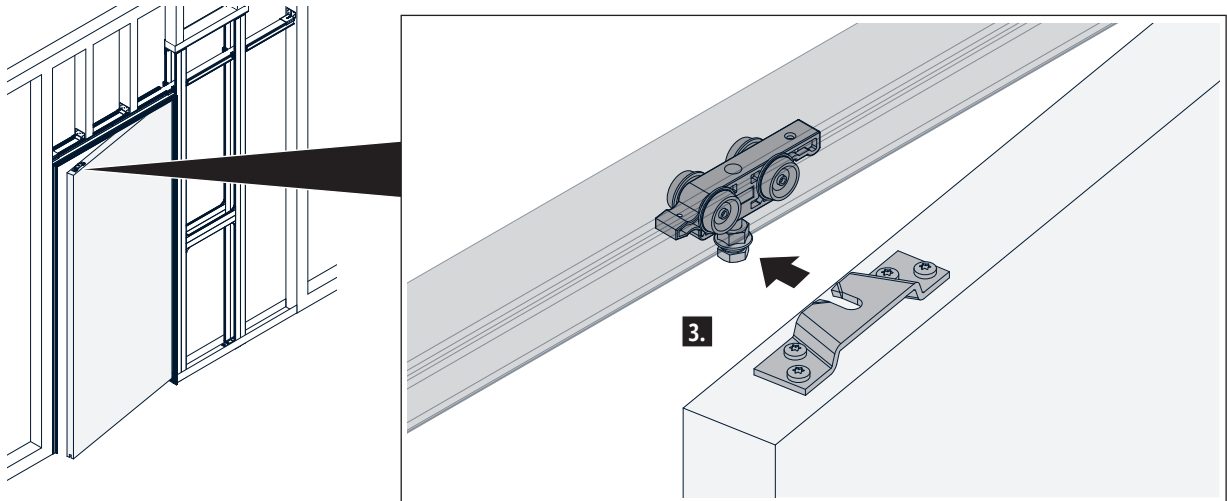
Note:
The fastening material must be adapted to the local conditions. The floor guide may be either screwed or glued.

Wood Standard 16.

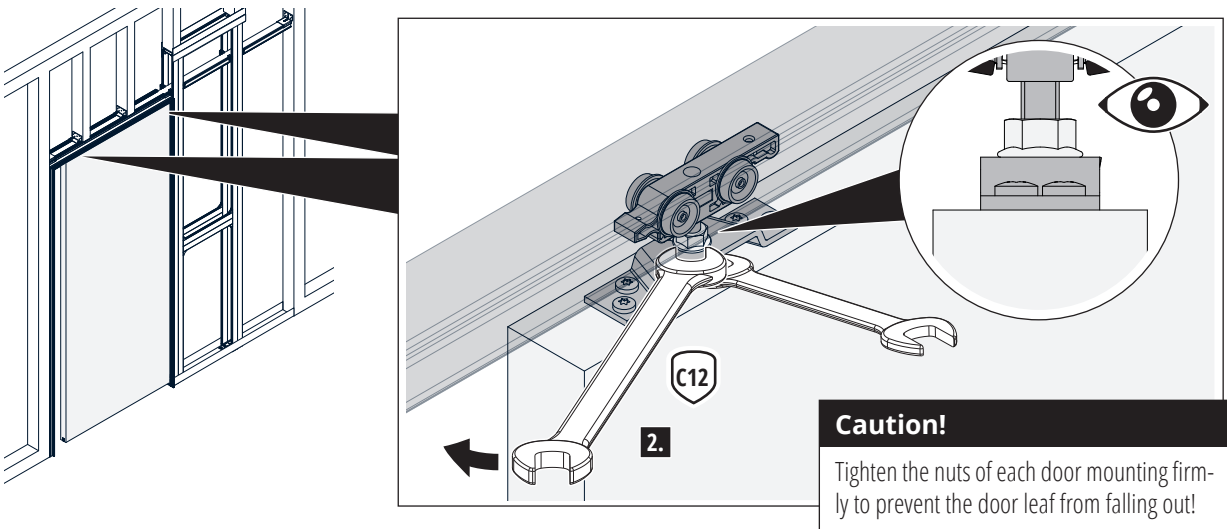
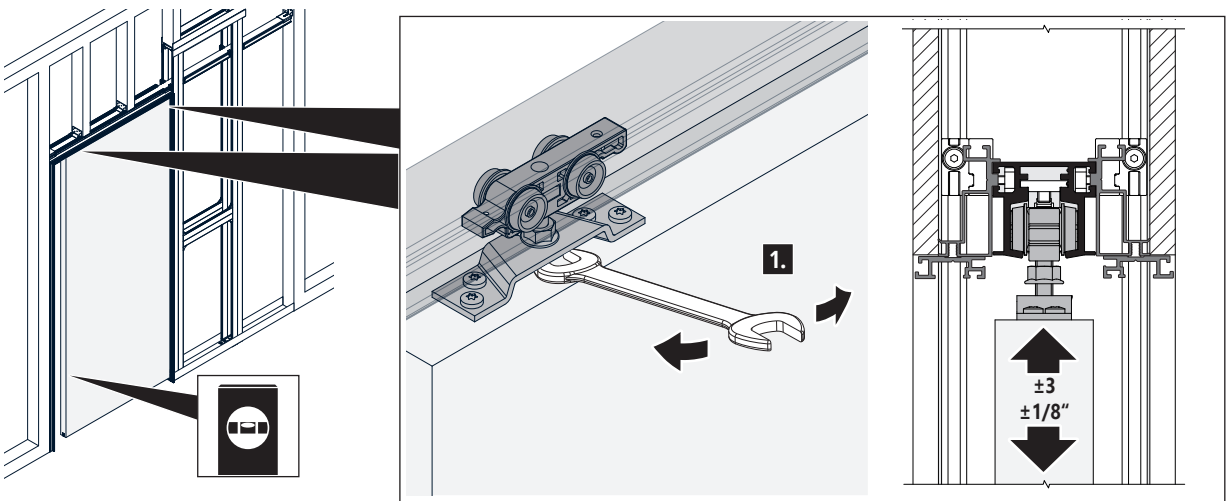


Wood Standard 17.

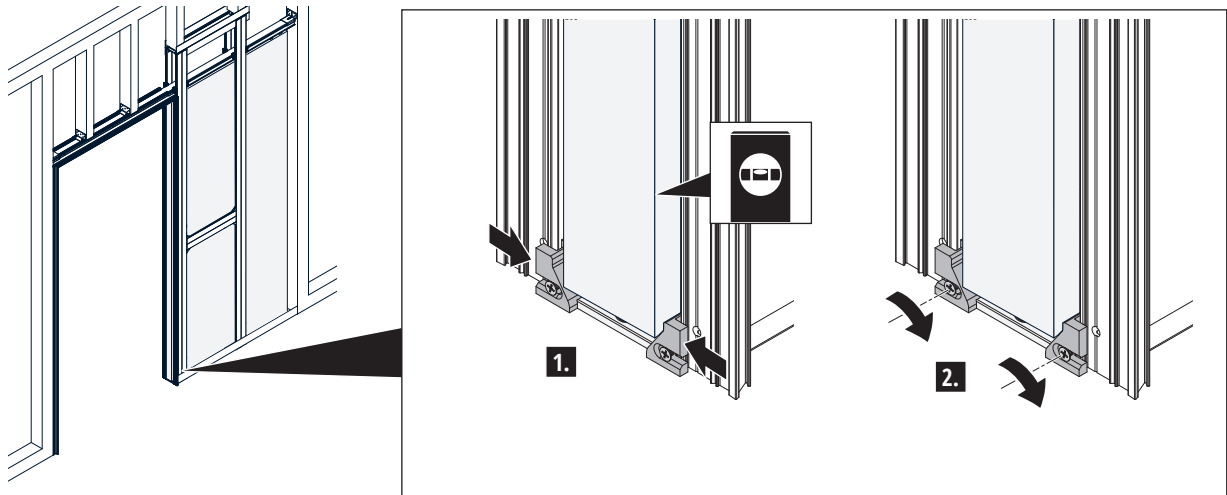




Wood Standard 18.



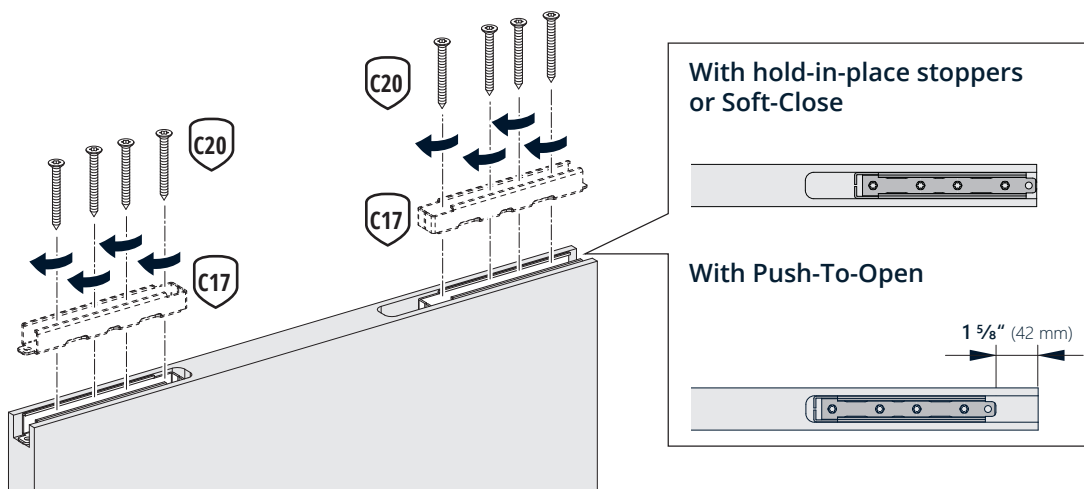
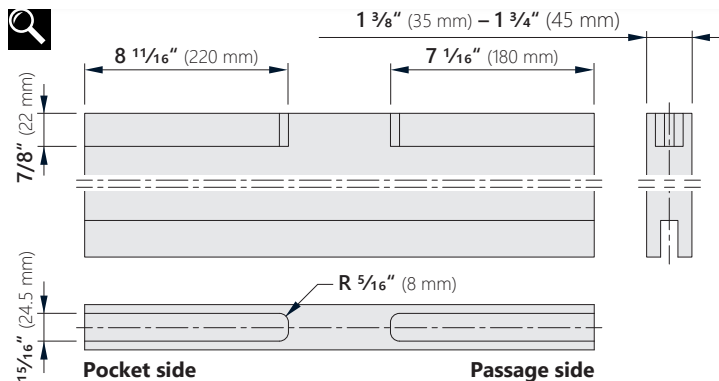
Wood Standard 19.



Note:

Go to Step 20 to install the valances and adjust the positioning of the stoppers!

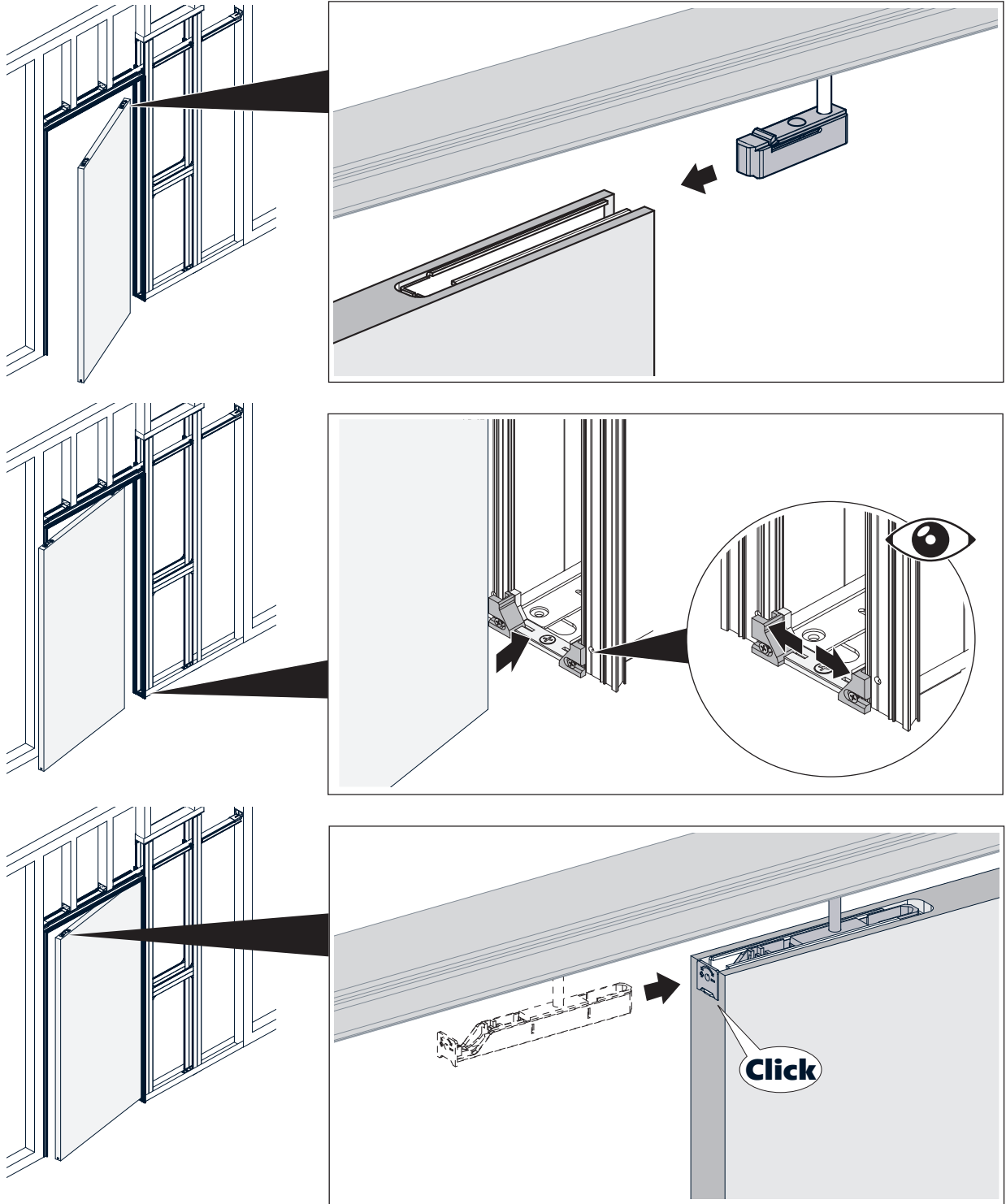
Wood Recessed **16.**



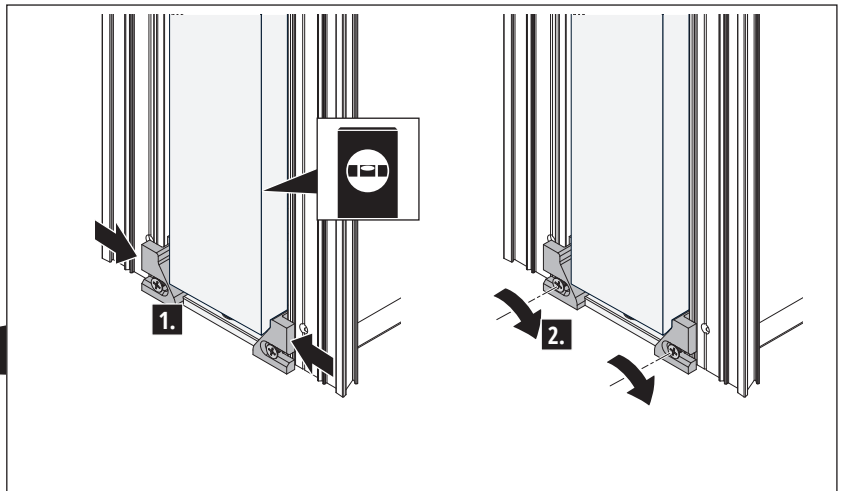
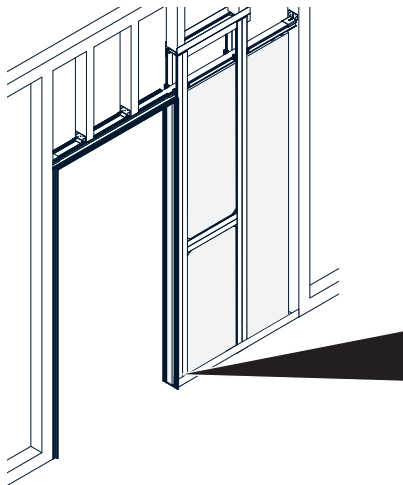
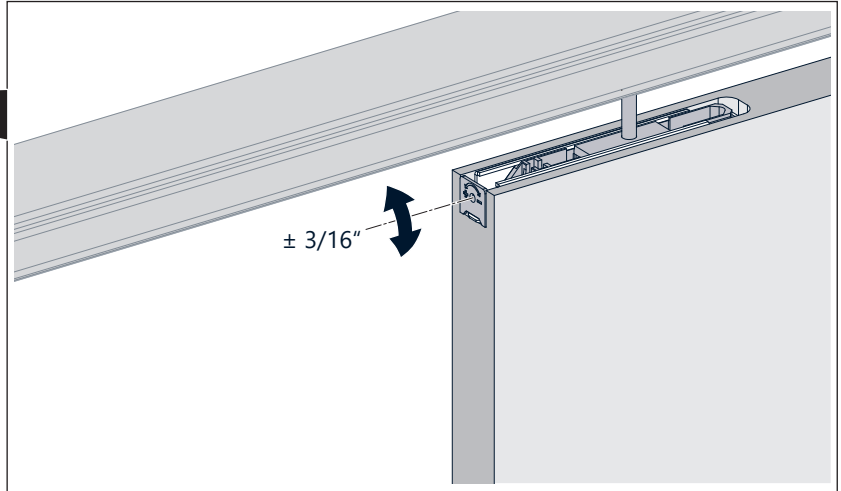
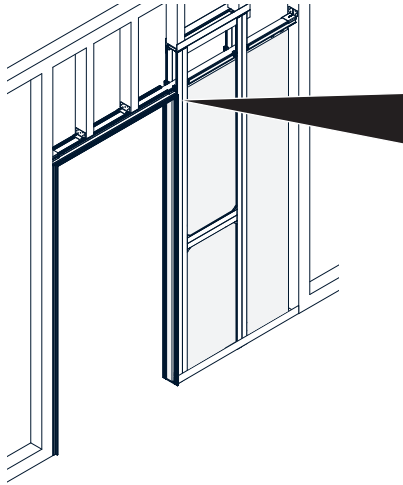
Wood Recessed **17.**



Wood Recessed 18.



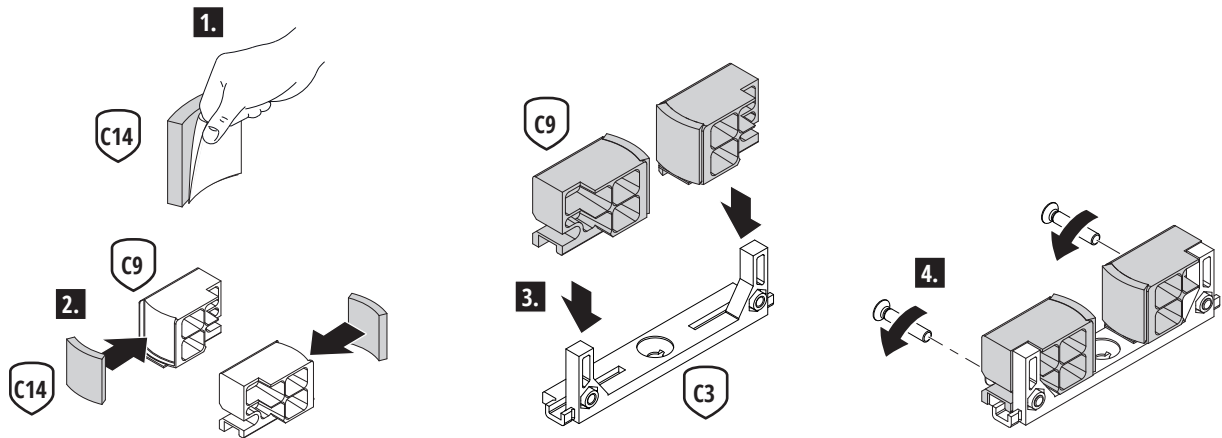
Wood Recessed 19.



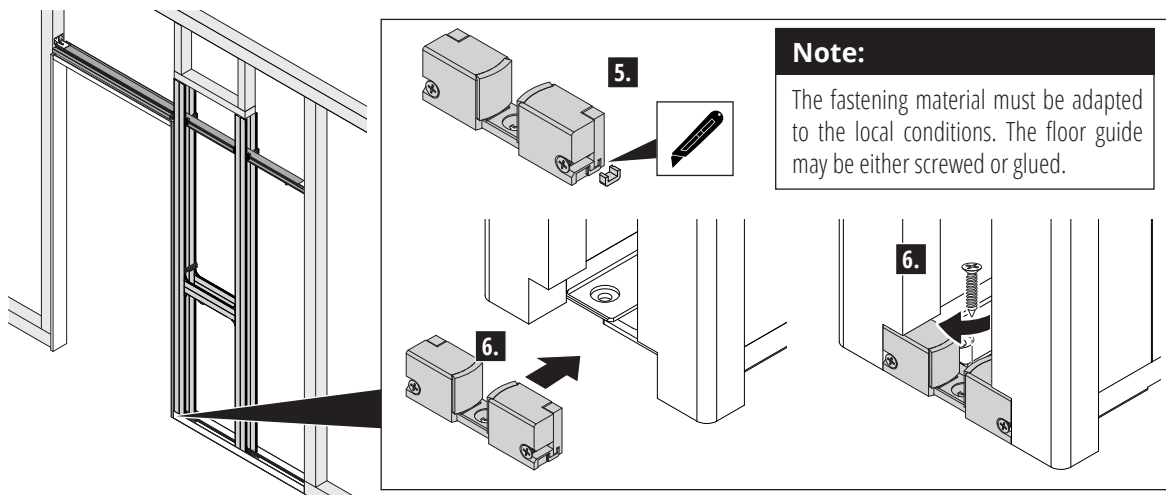
Note:

Go to Step 20 to install the valances and adjust the positioning of the stoppers!

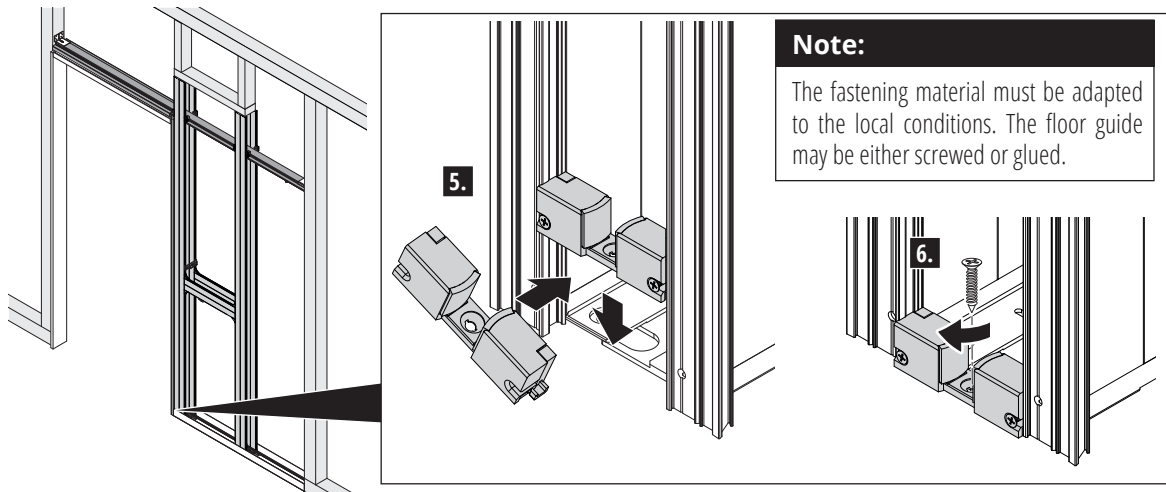
Frameless Glass 15.



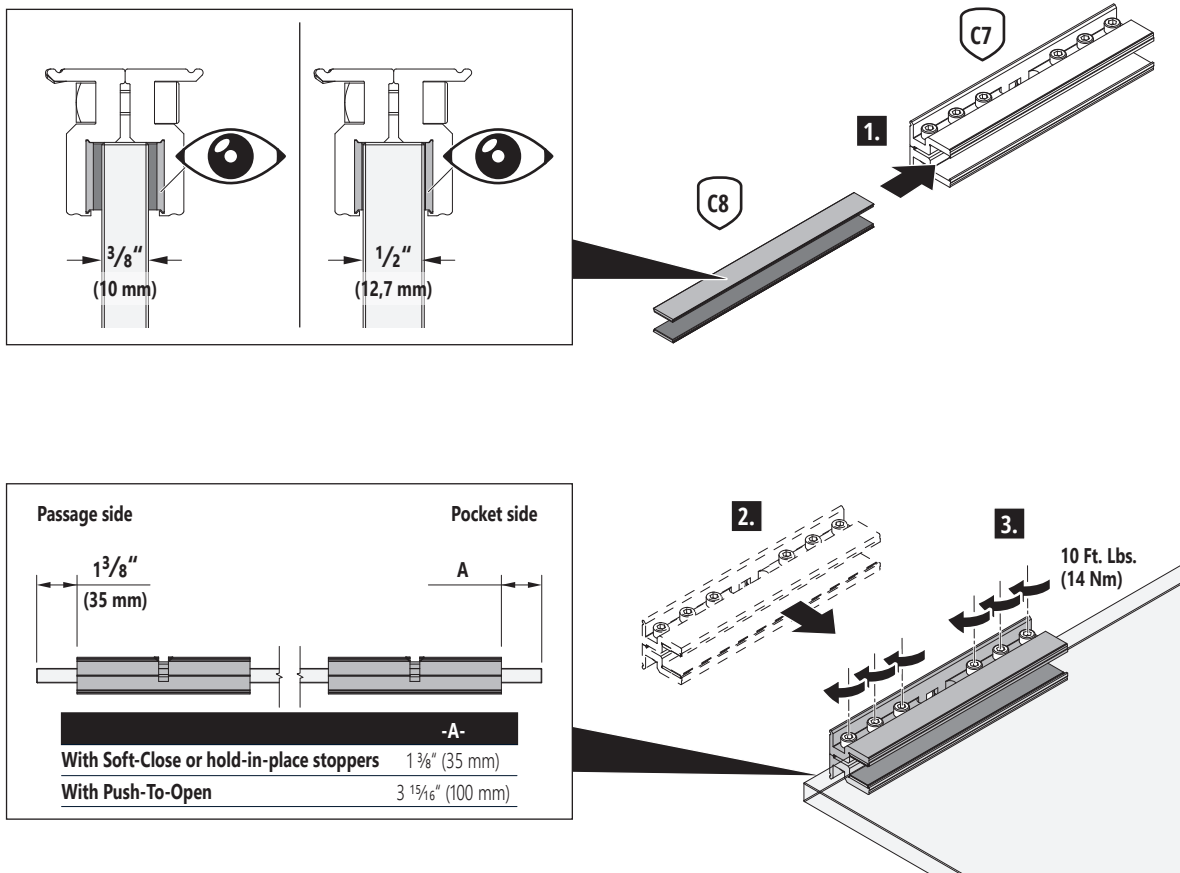
With jamb kit or casing



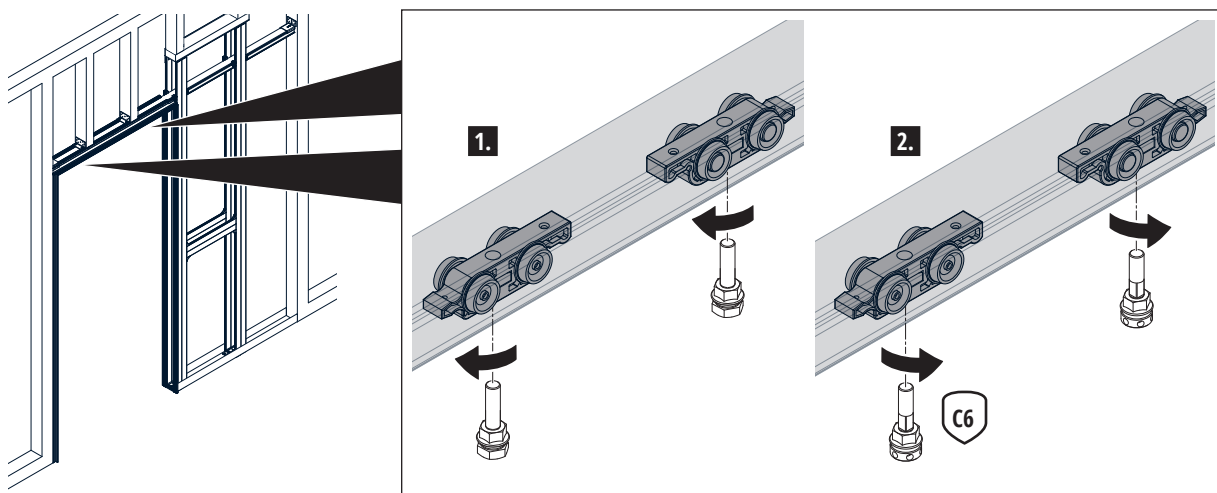
With frameless profiles

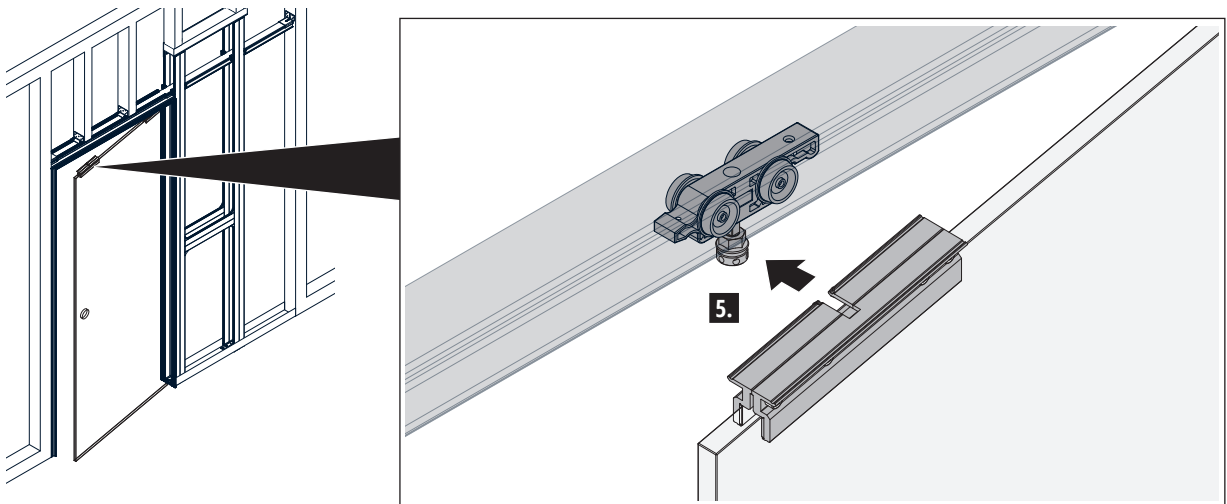
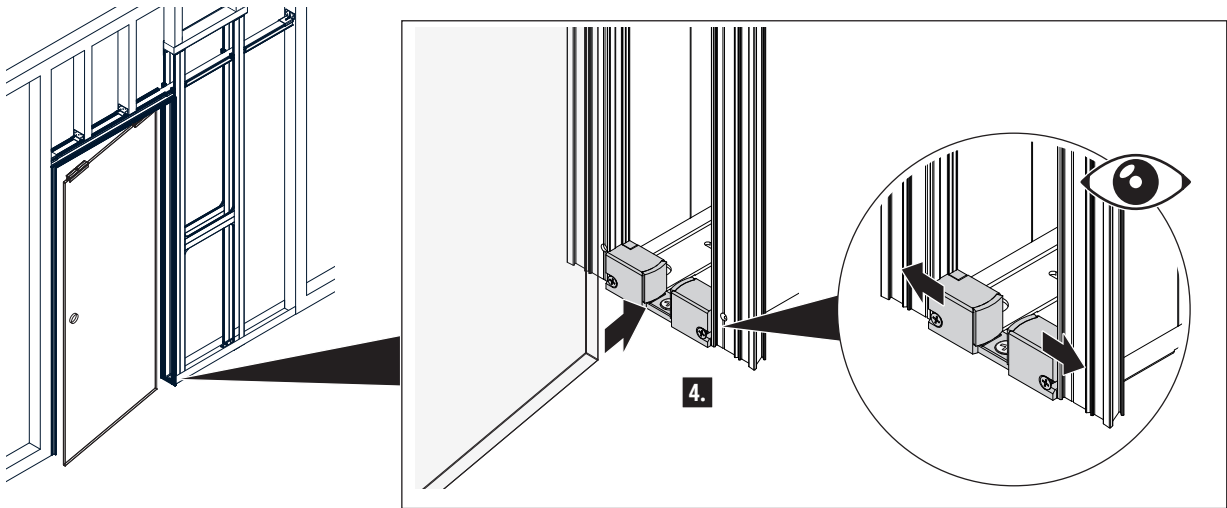
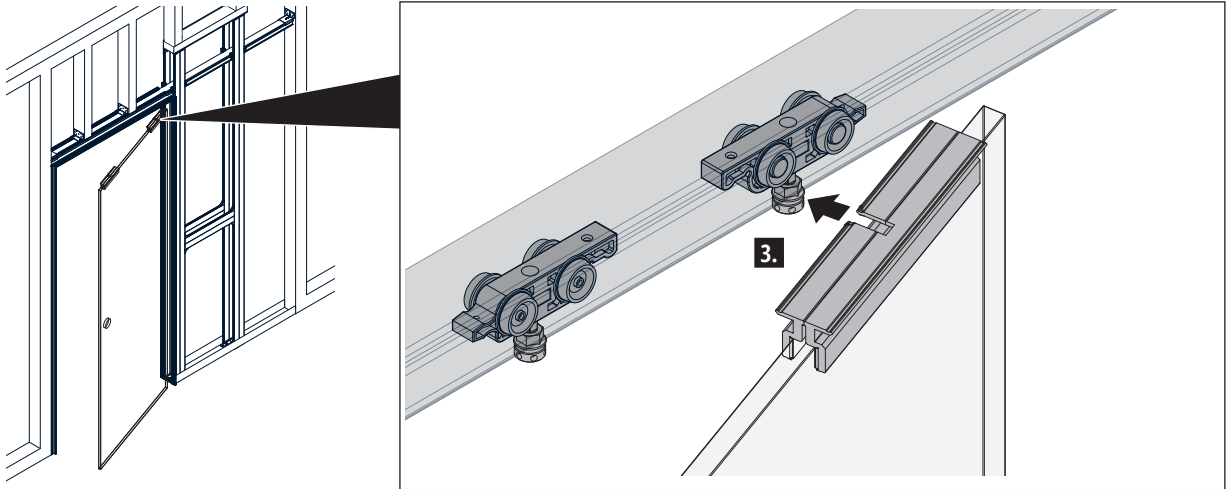


Frameless Glass 16.

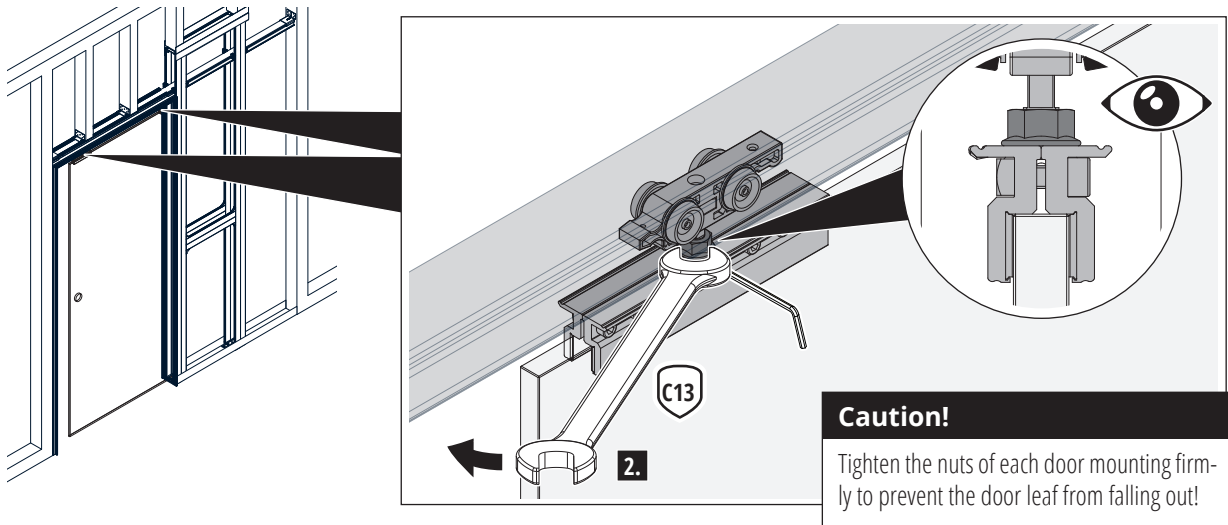
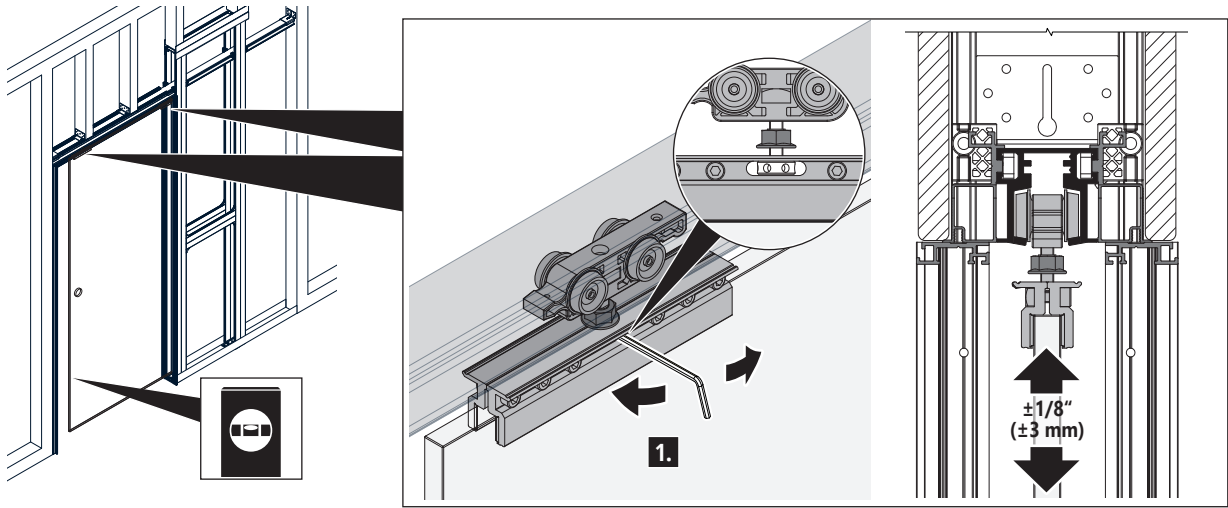


Frameless Glass 17.

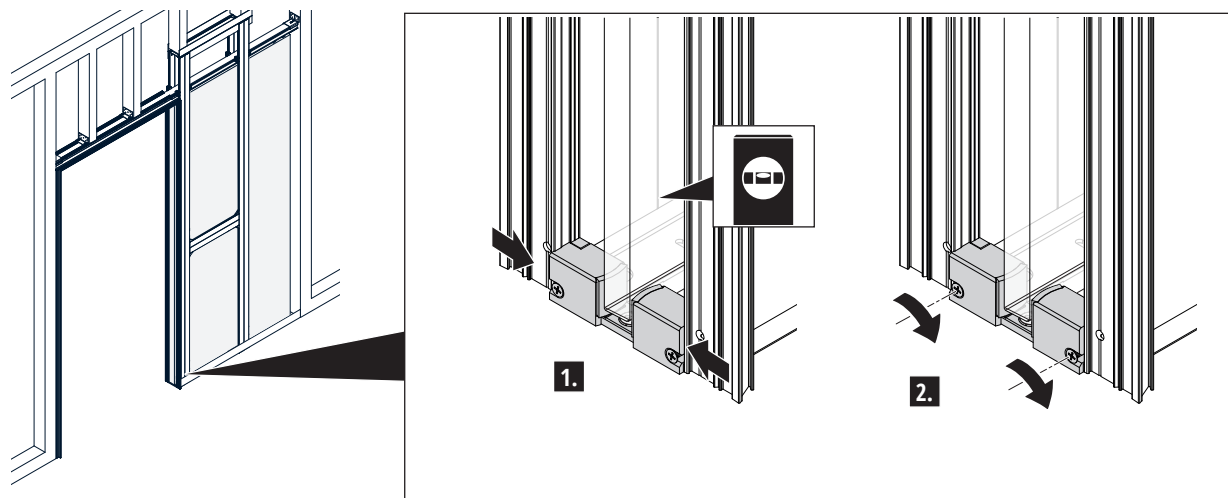




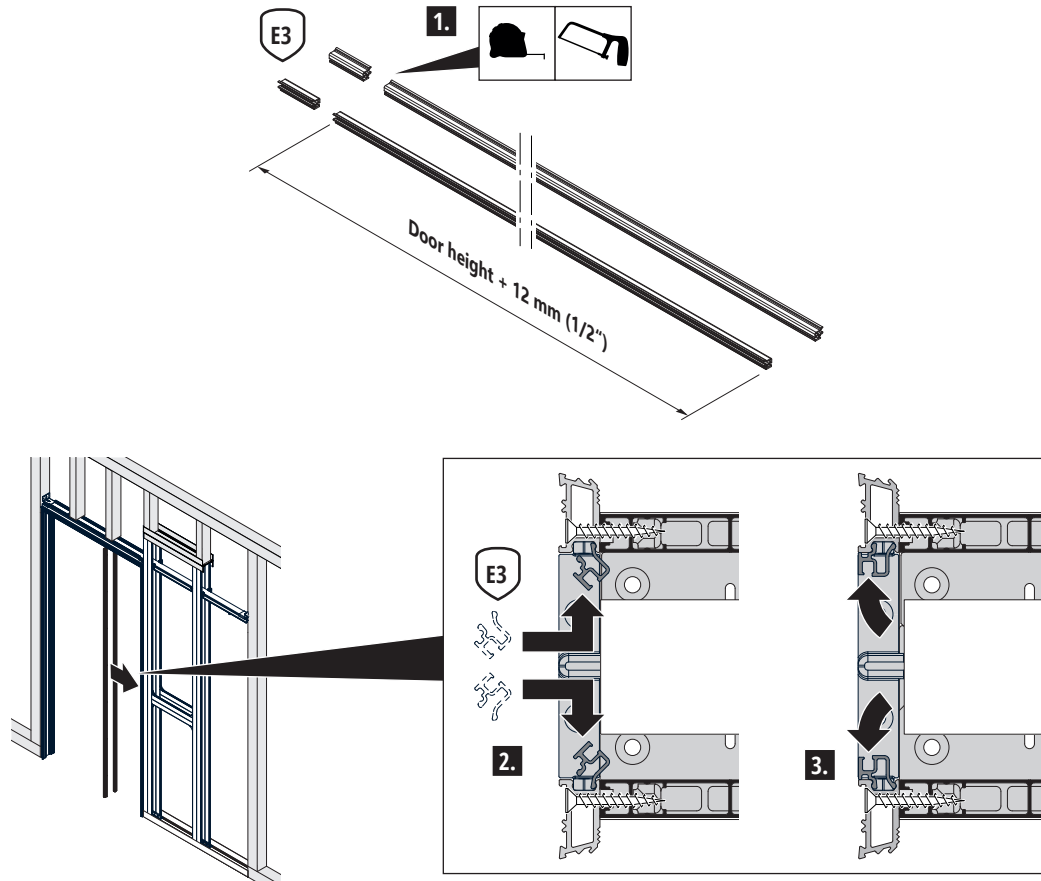
Frameless Glass 18.



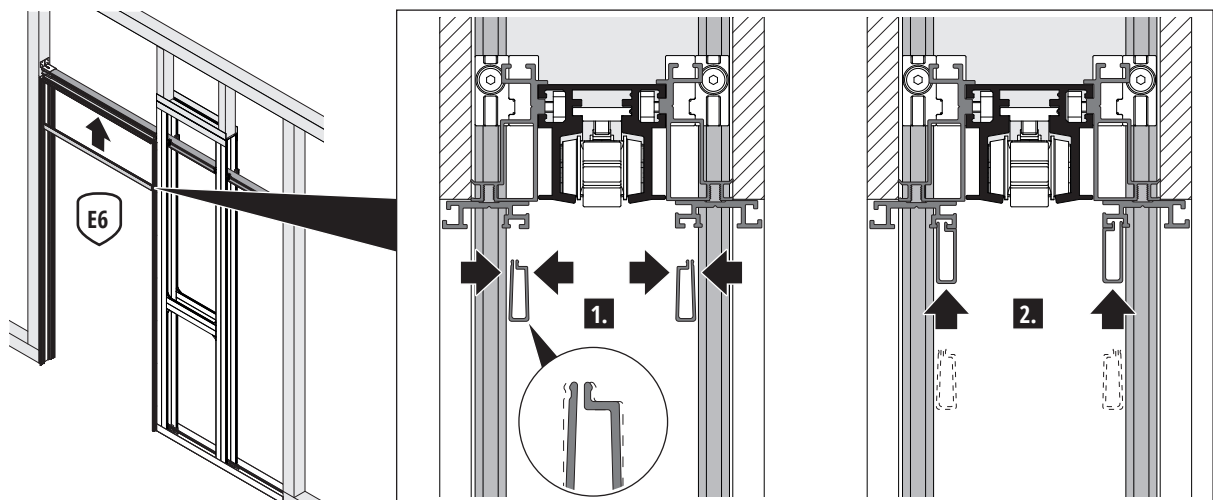
Frameless Glass 19.



20.



21.



22.

