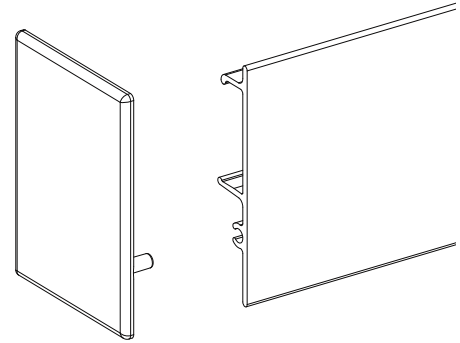
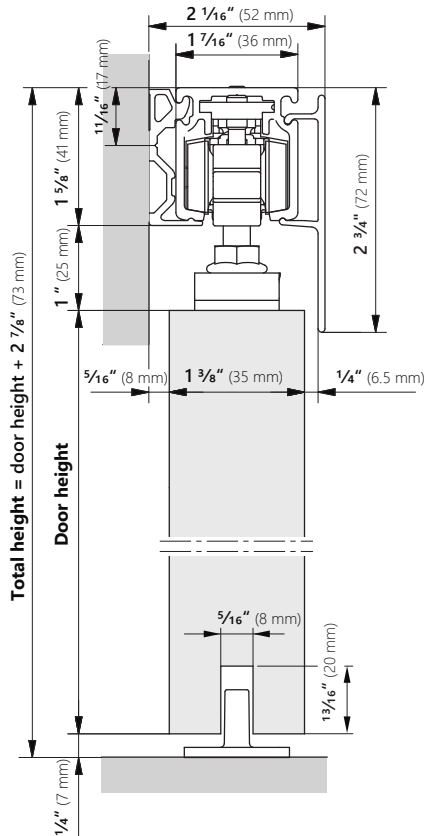


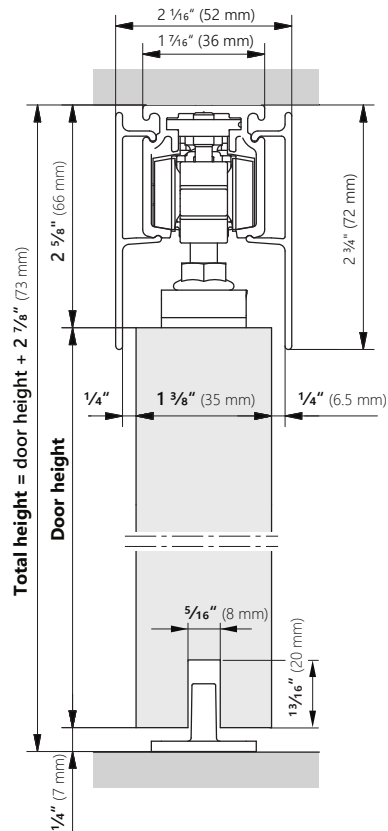
Valance and end caps  
 for sliding track hardware  
 with standard wood mounts

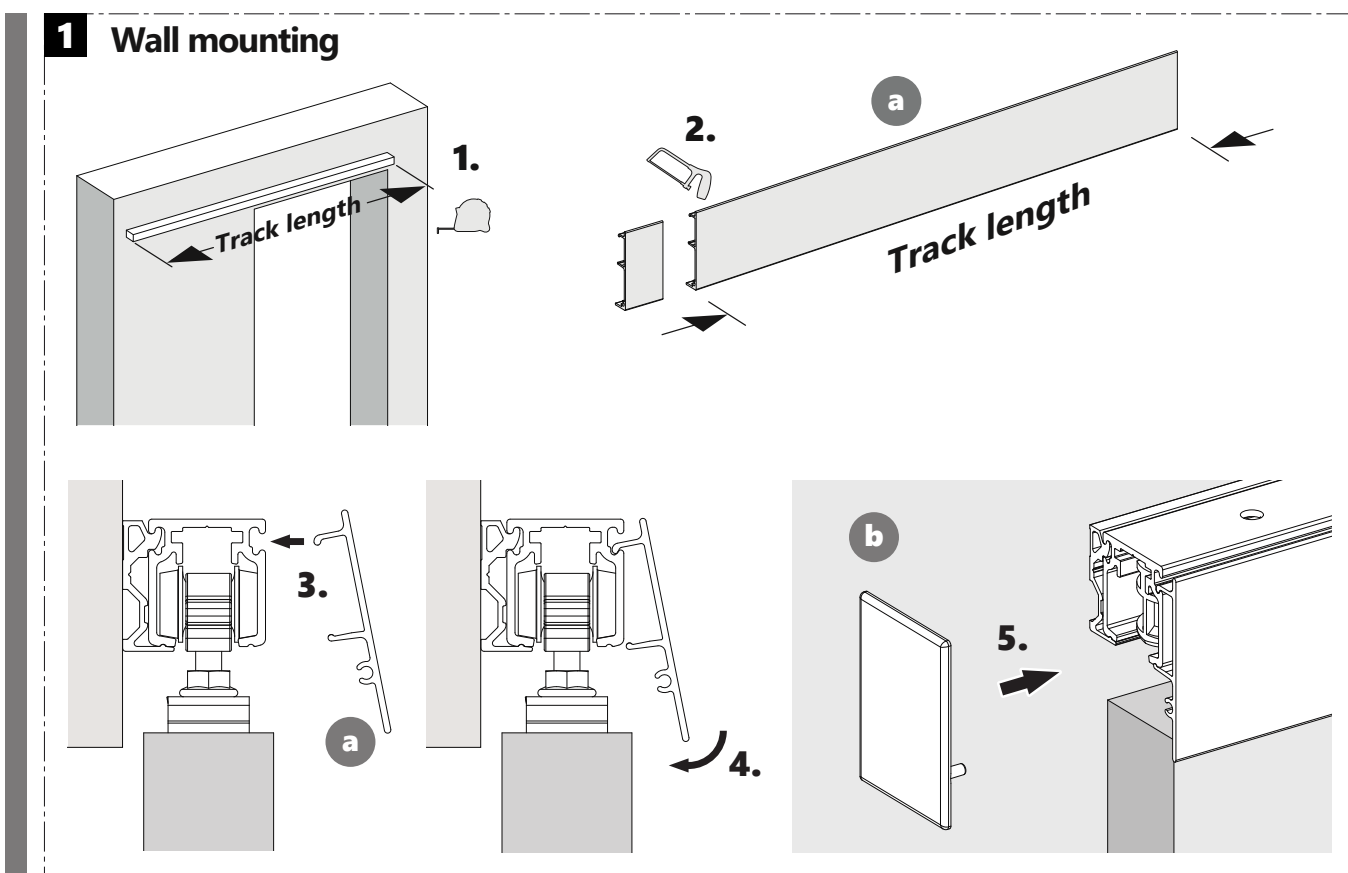
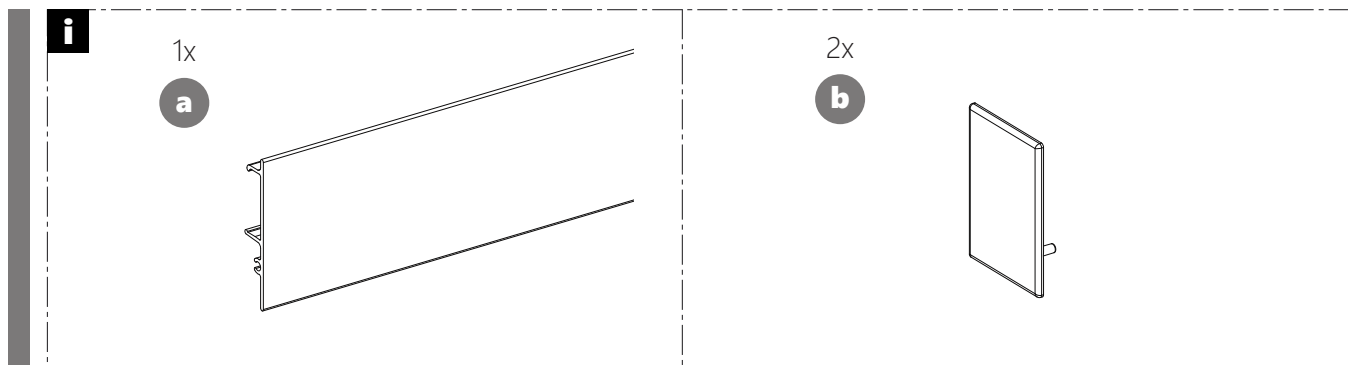


**i** **Wall mounting**



**Top mounting**





**1** Top mounting

