

Installation instructions

BOXtrack

Modern barn door hardware

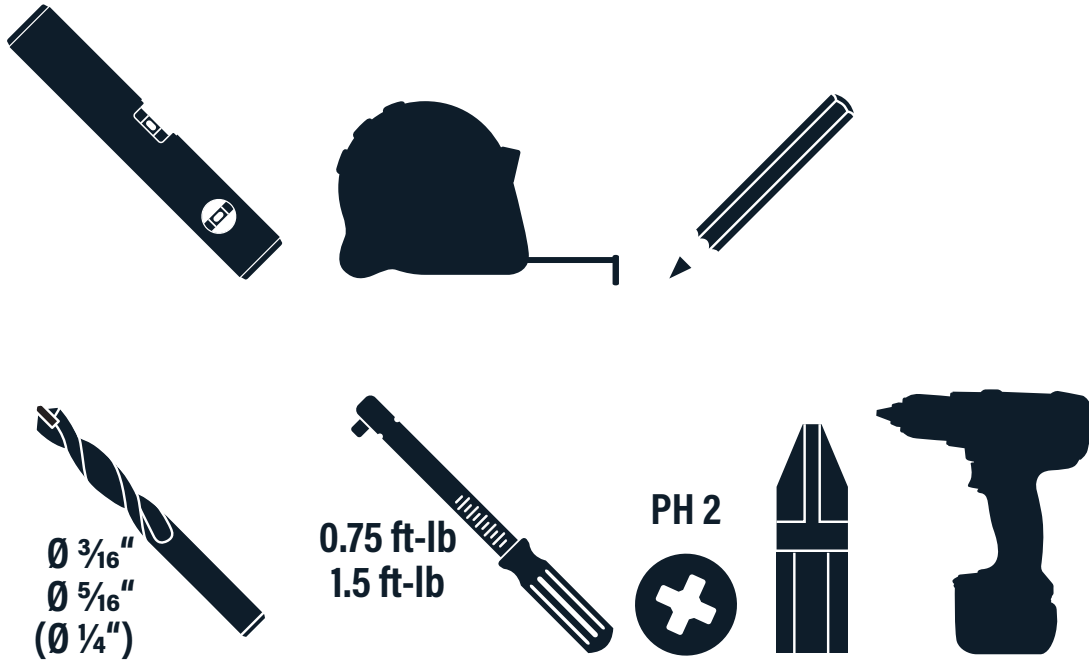
for frameless glass doors
up to 265 lb door weight

Safety notes

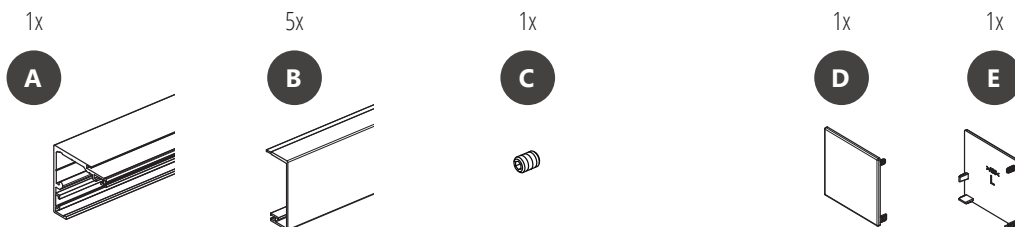
Before assembly, please read the installation instructions carefully. In case of difficulties in understanding, contact the customer service or your supplier. In order to assemble the purchased product properly, please use the tools indicated on the following page. Since some parts may have sharp edges, also be sure to protect your hands and work surfaces

from cuts or scratches. During assembly, always ensure that you work ergonomically and only assemble alone if you can rule out any risk to your health or other persons. All components were checked for integrity before delivery. No liability is accepted for damage caused by improper assembly or transport.

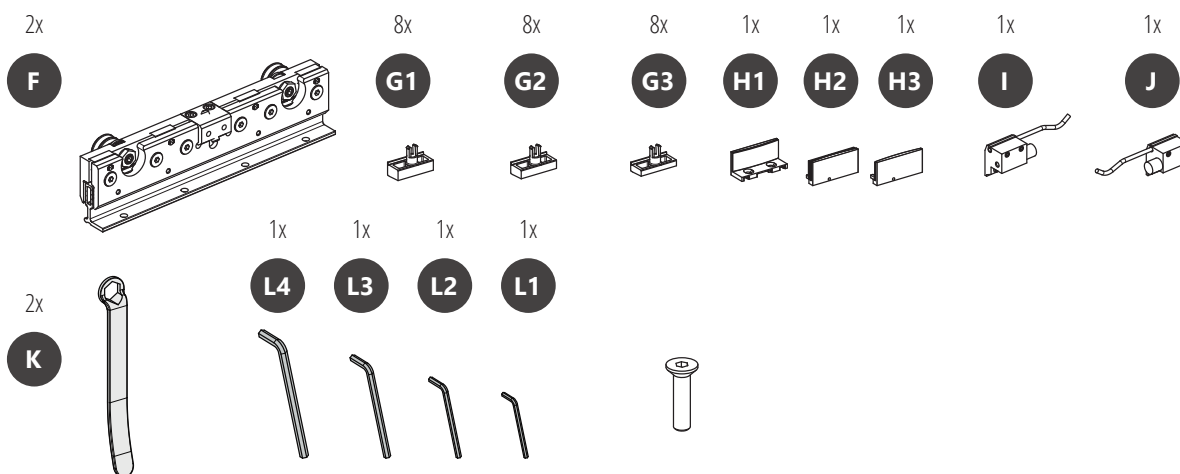
Required tools



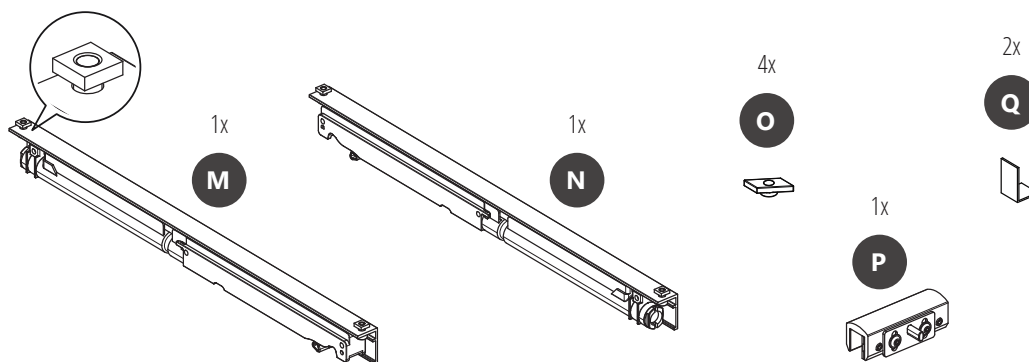
Parts of the box track



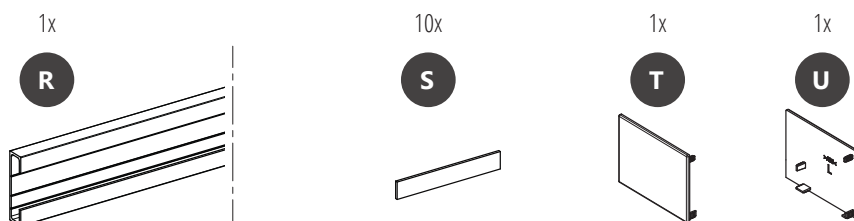
Hardware for glass doors up to 265 lb



Soft-Close for glass doors up to 176 lb (optional accessory)

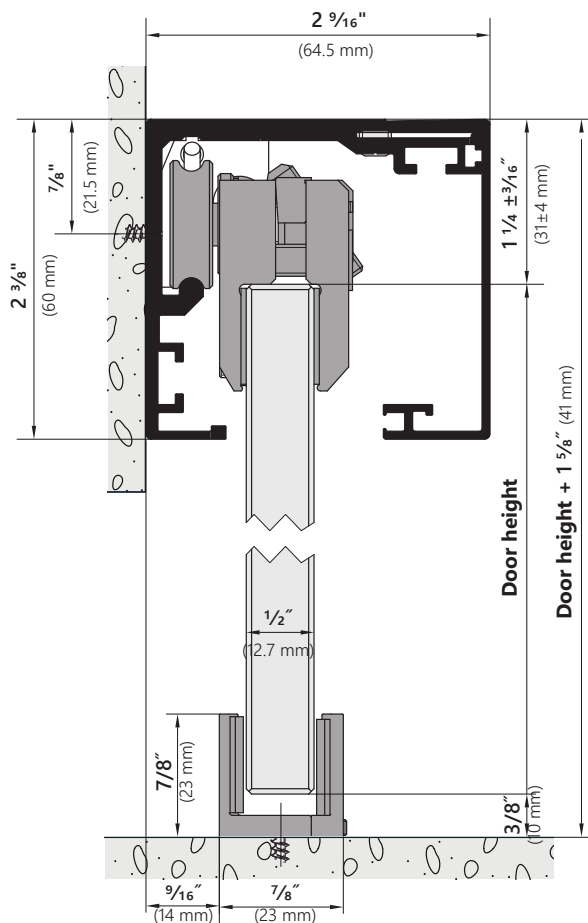


Distance profile (optional accessory)

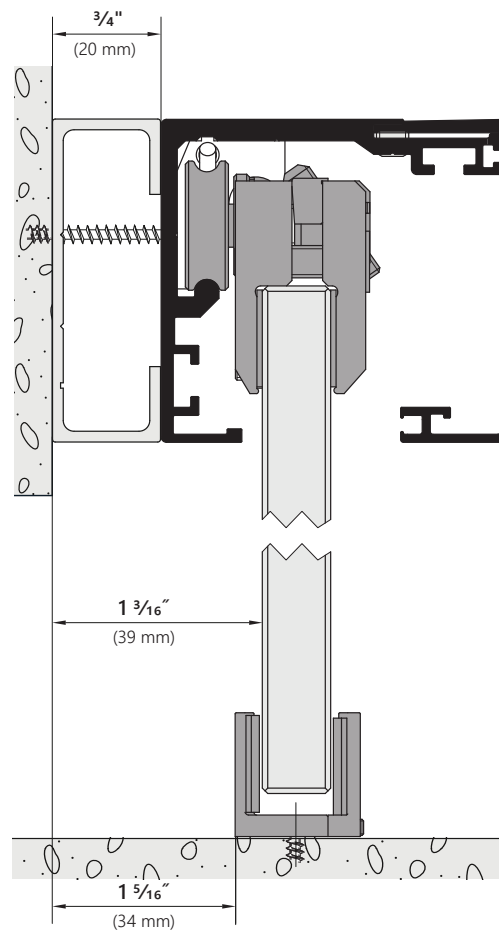


Side view

Wall mounting



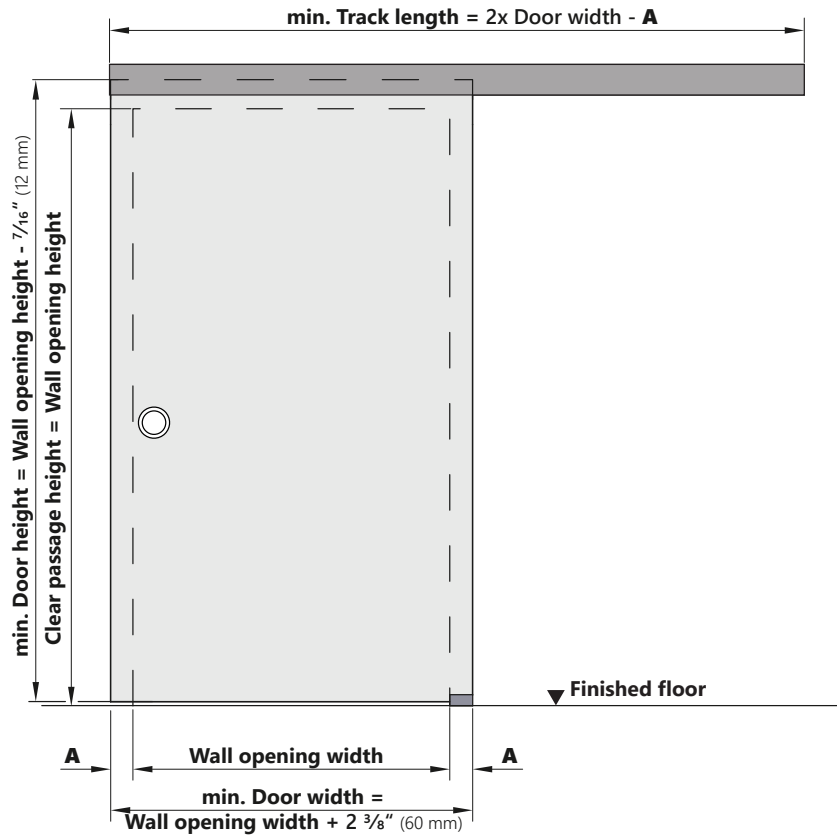
With distance profile



Also possible with glass thicknesses $17/32''$ (13,5 mm) and $3/8''$ (10 mm)

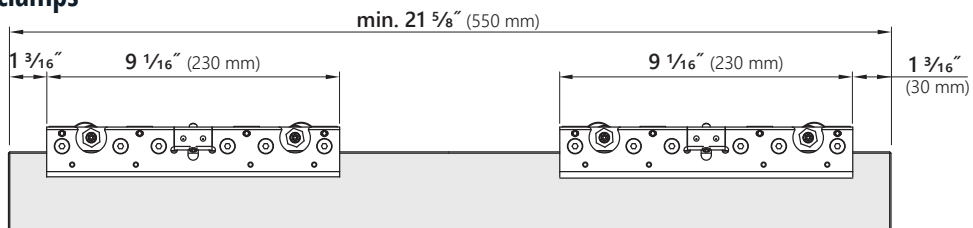
Front view

Illustration shows opening direction to the right*

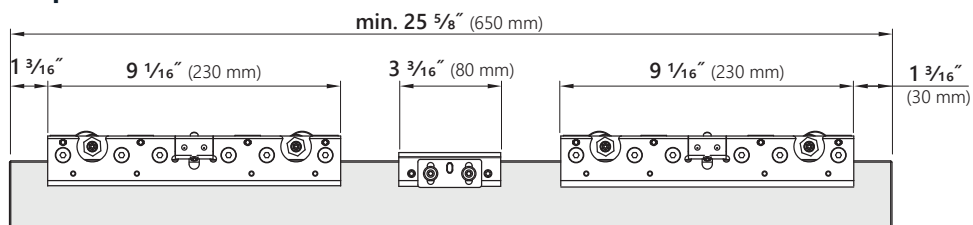


* Opening direction can be easily switched to the left. It only depends on the box track position.

Frameless glass clamps

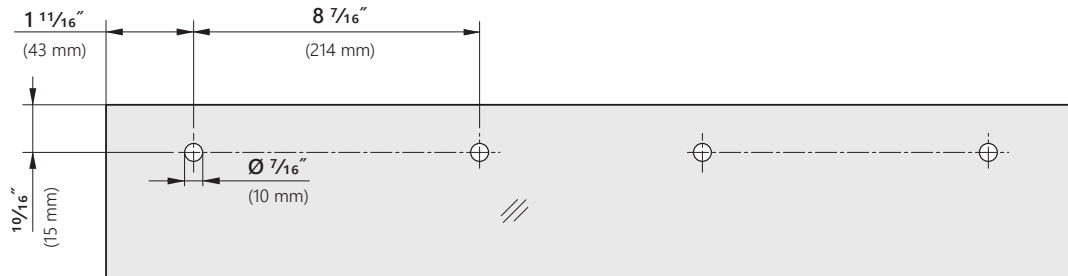


Frameless glass clamps with Soft-Close activator



Glass machining

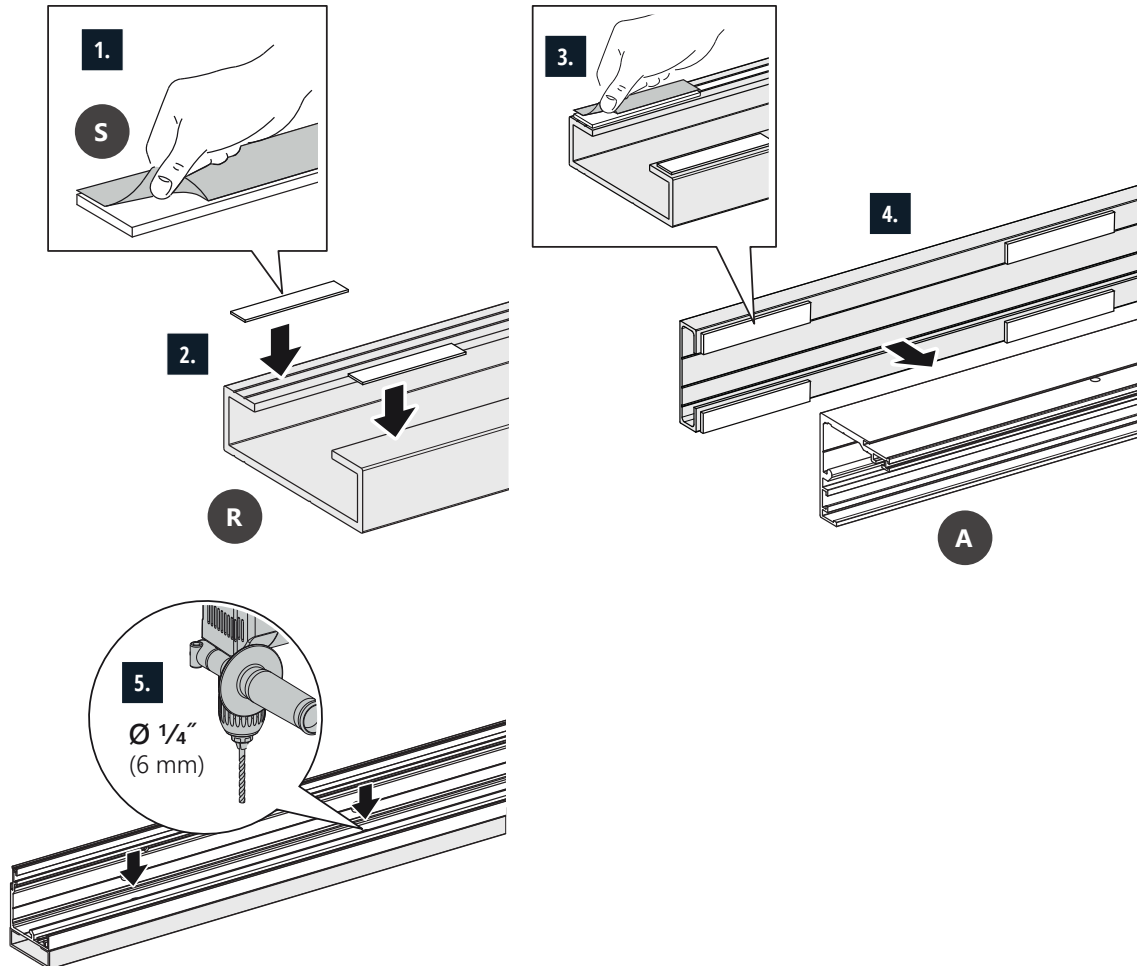
For optional glass safety pin*



* Recommended when using laminated safety glass

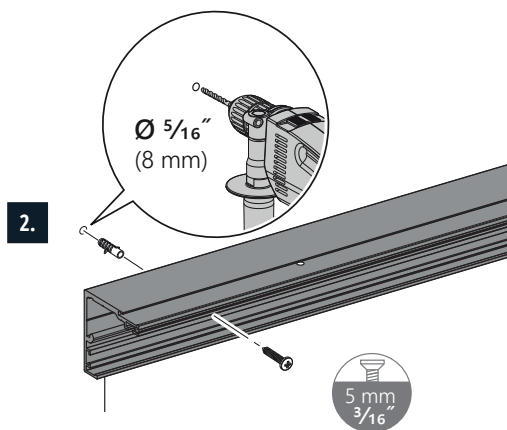
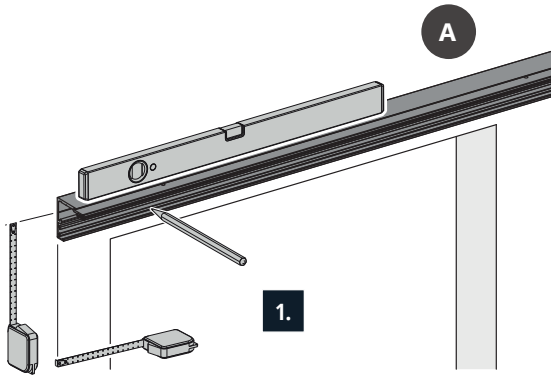
1.

With optional distance profile only

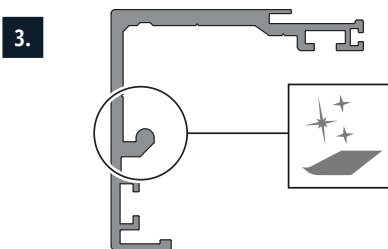


2.

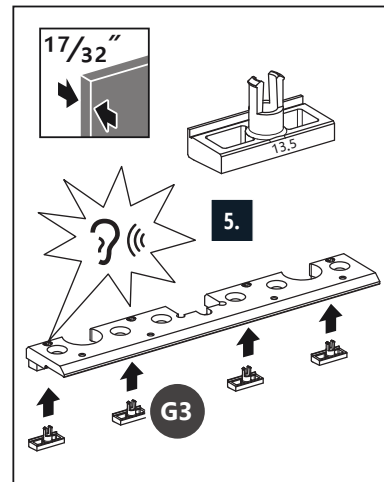
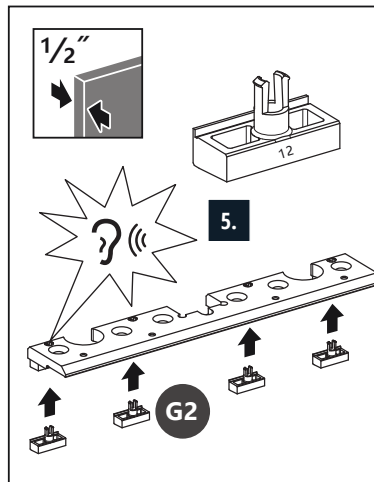
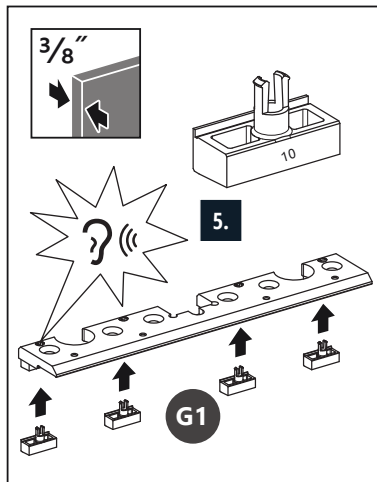
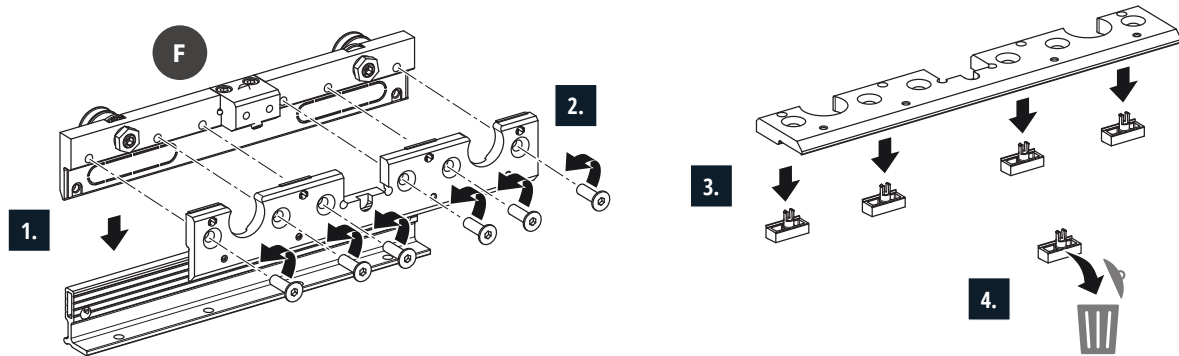
Wall mounting



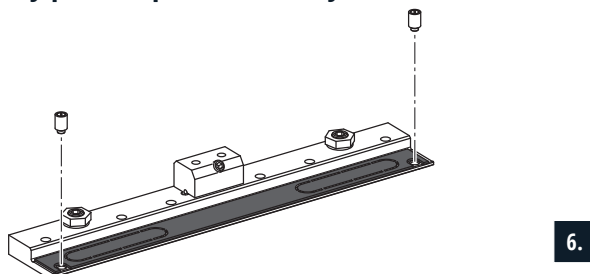
! The load-bearing capacity of the wall must be checked. Suitable fastening material must be provided by the customer!



3.



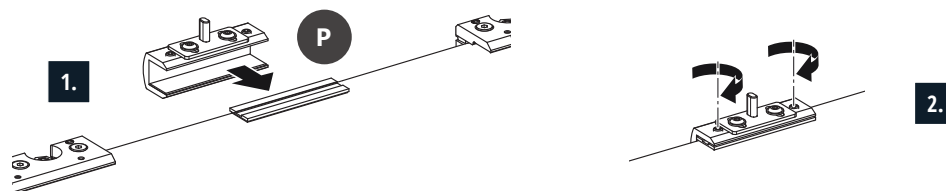
Safety pin for optional use only*



* Recommended when using laminated safety glass

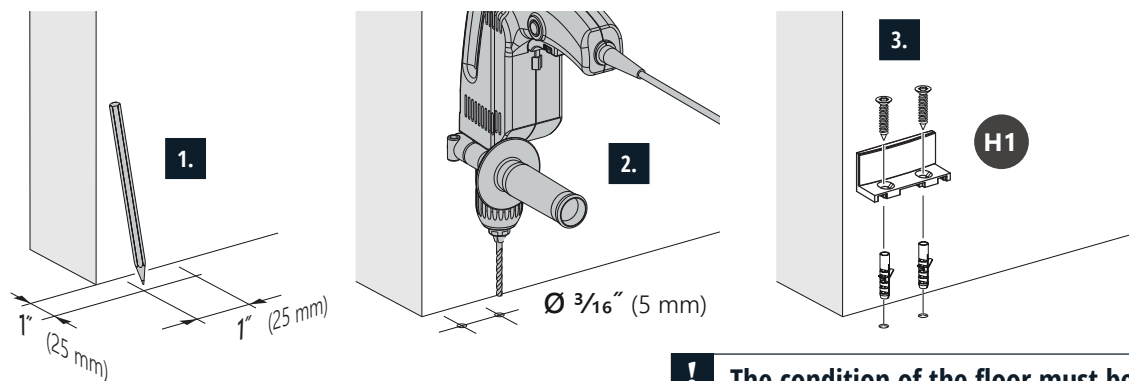
4.

With optional Soft-Close only



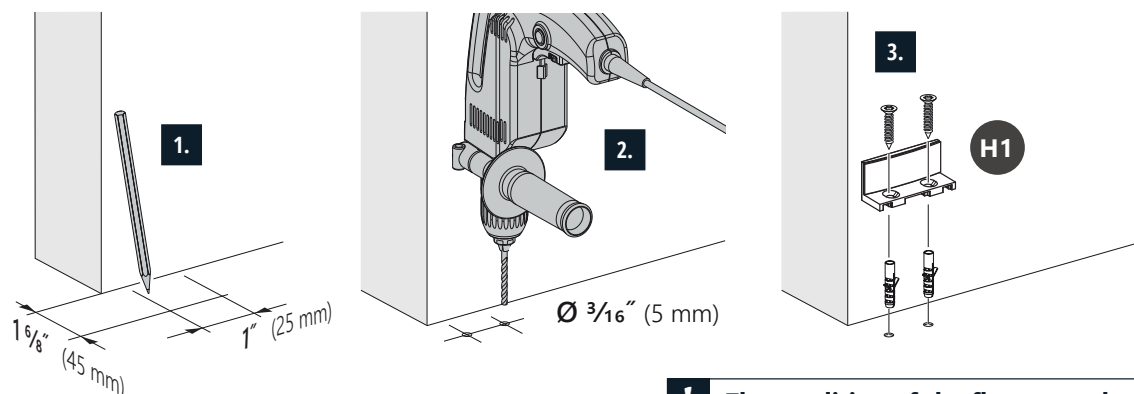
5.

Without distance profile



! The condition of the floor must be checked. Suitable fastening material must be provided by the customer!

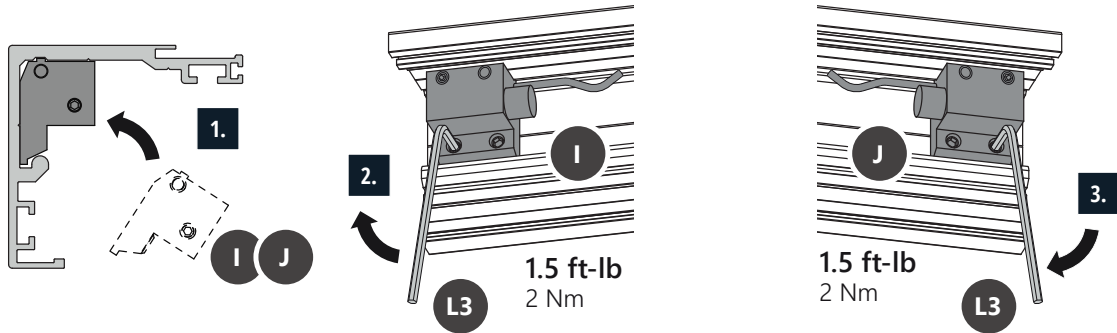
With distance profile



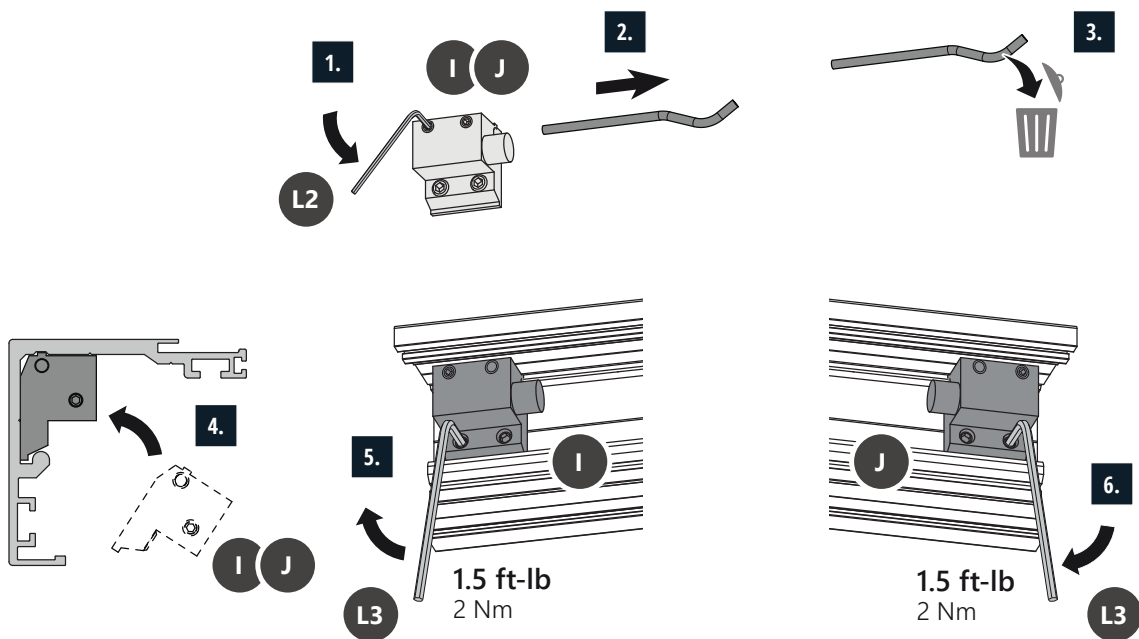
! The condition of the floor must be checked. Suitable fastening material must be provided by the customer!

6.

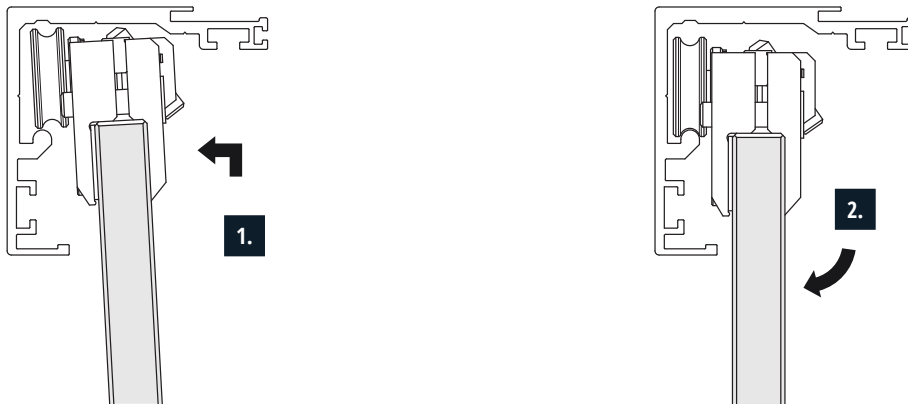
With hold-in-place end



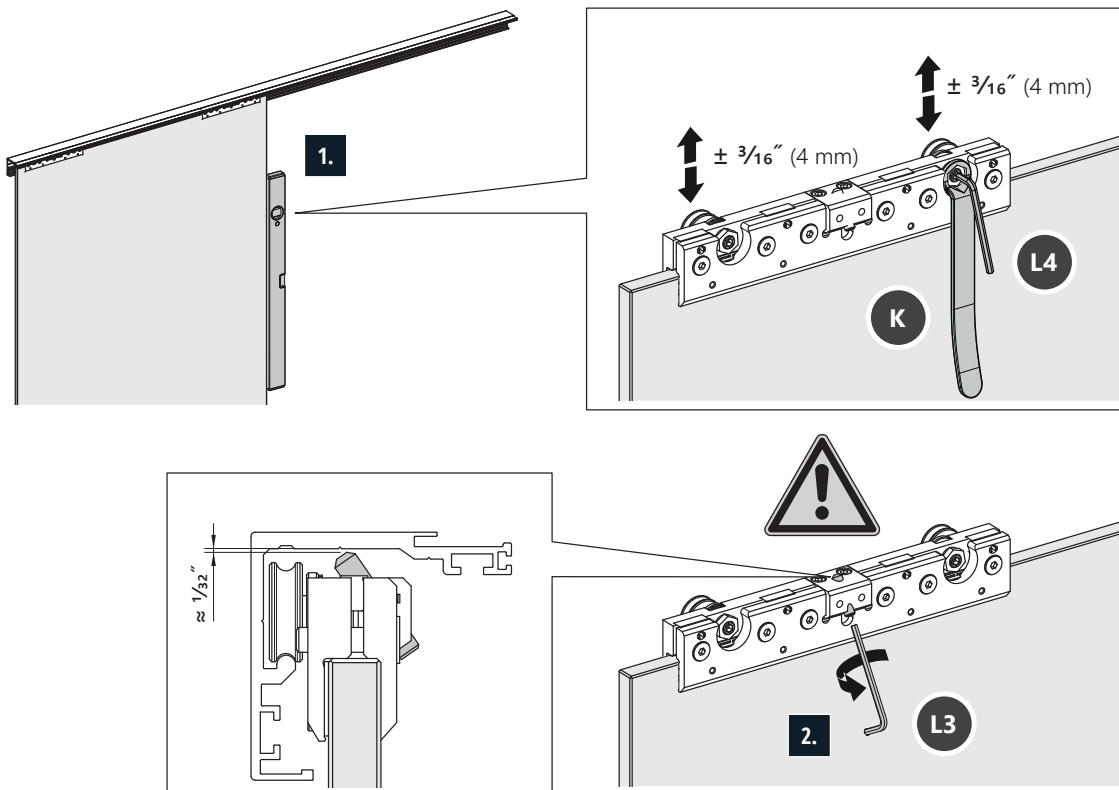
With Soft-Close



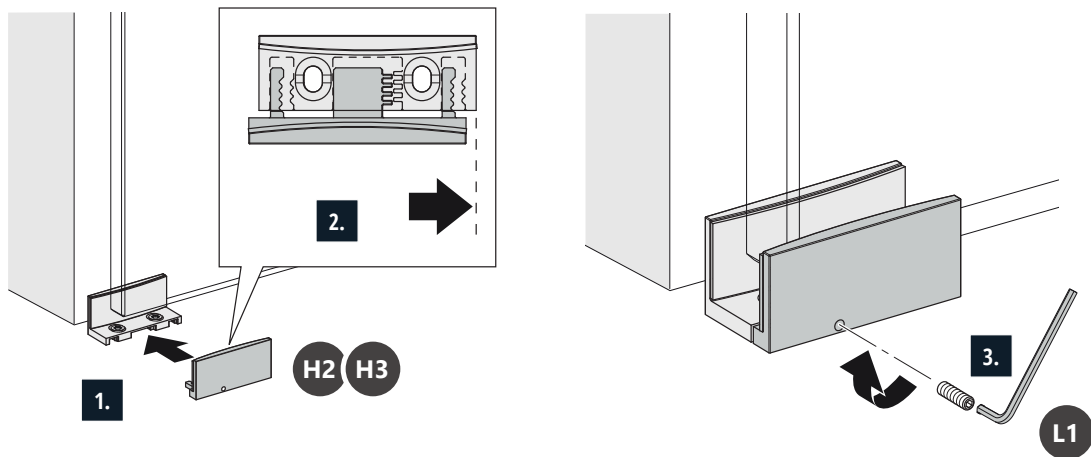
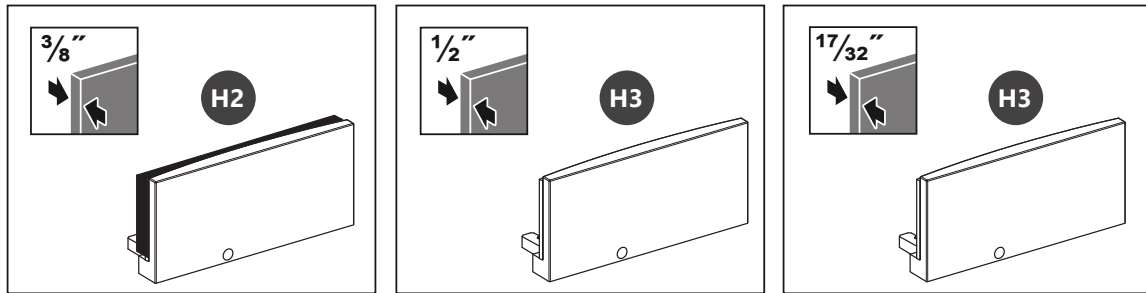
7.



8.

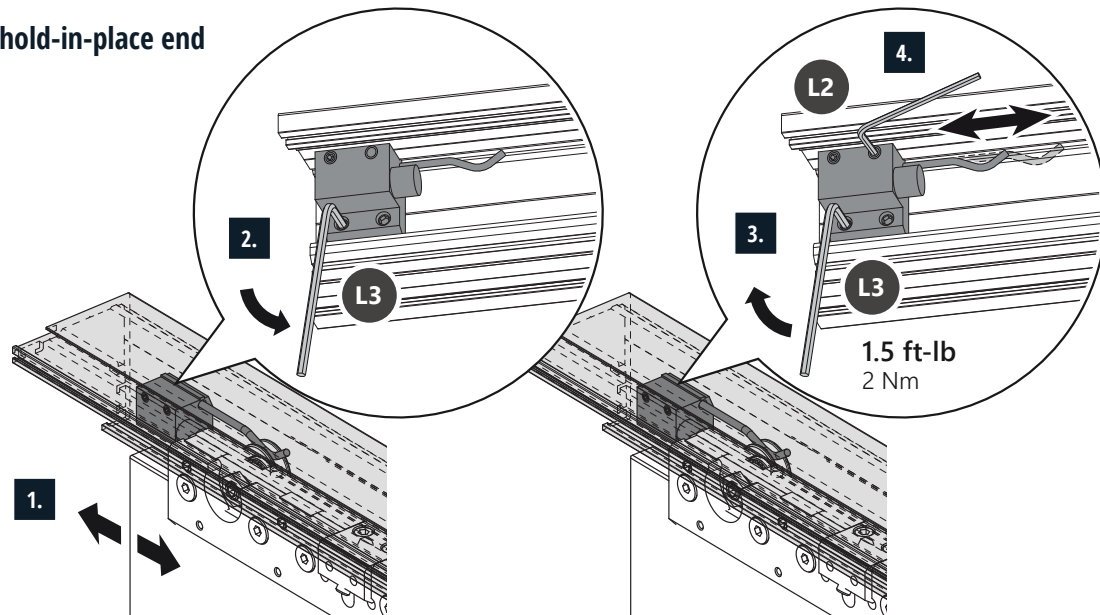


9.



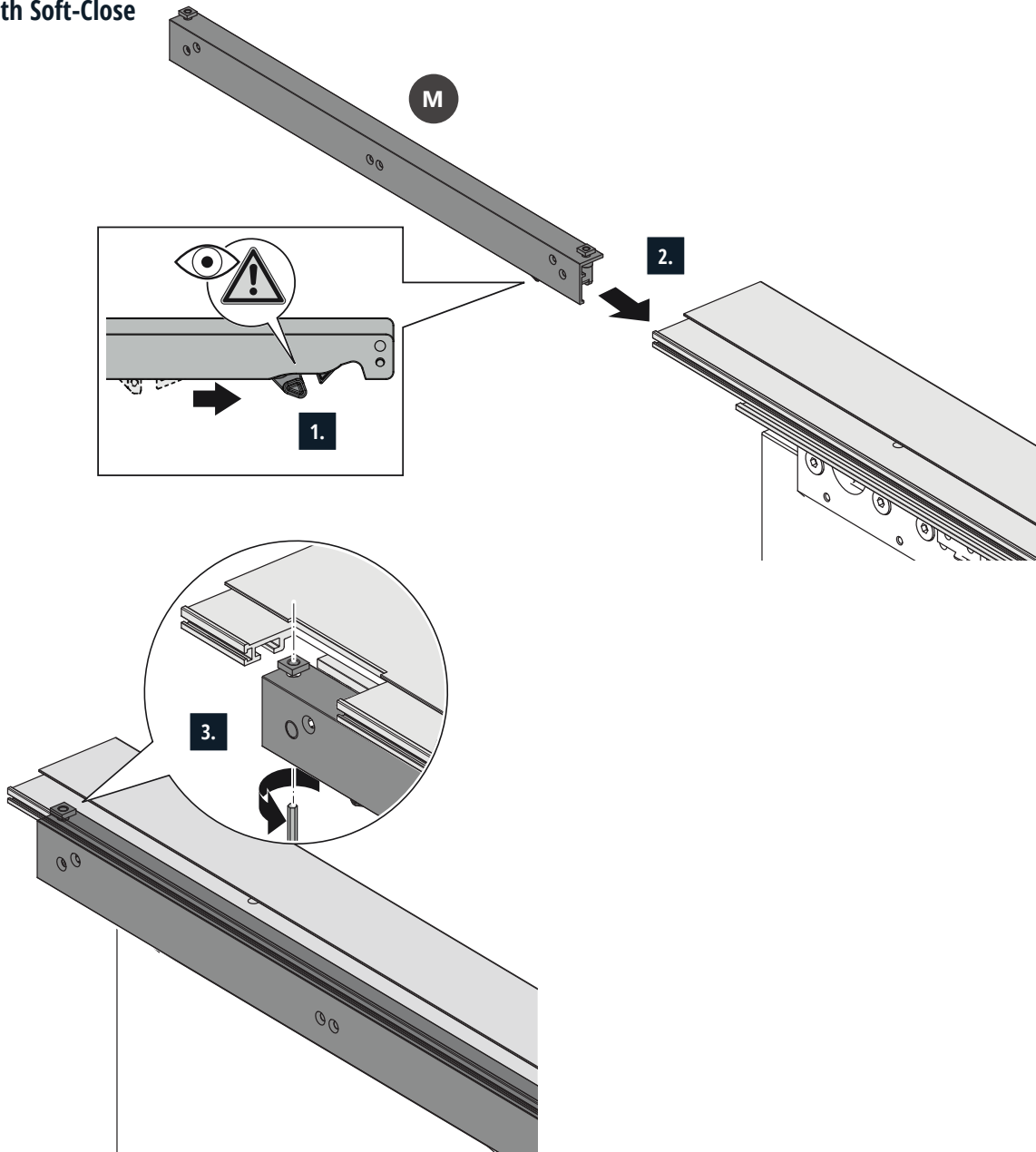
10.

With hold-in-place end

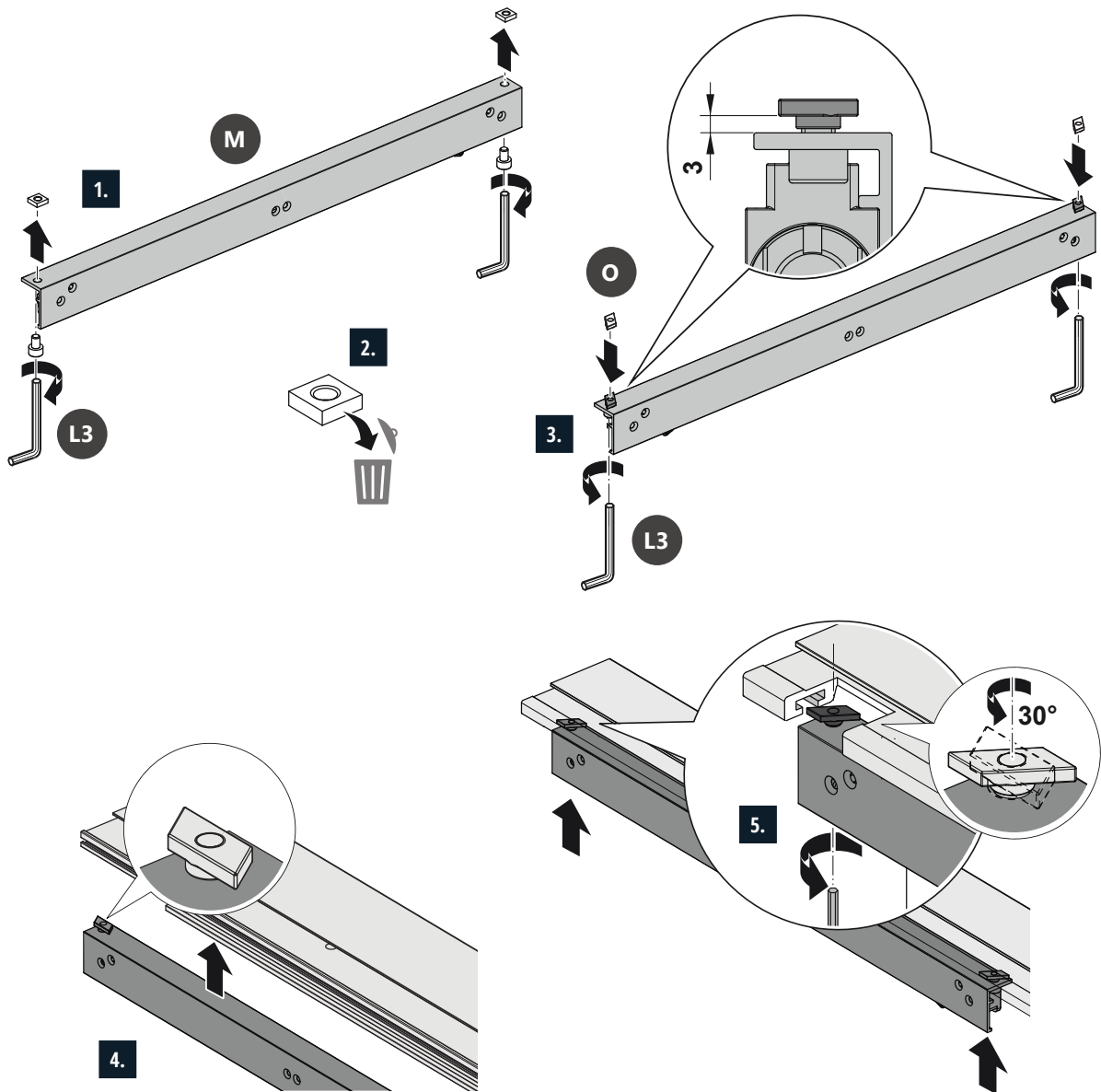


11.1.

With Soft-Close

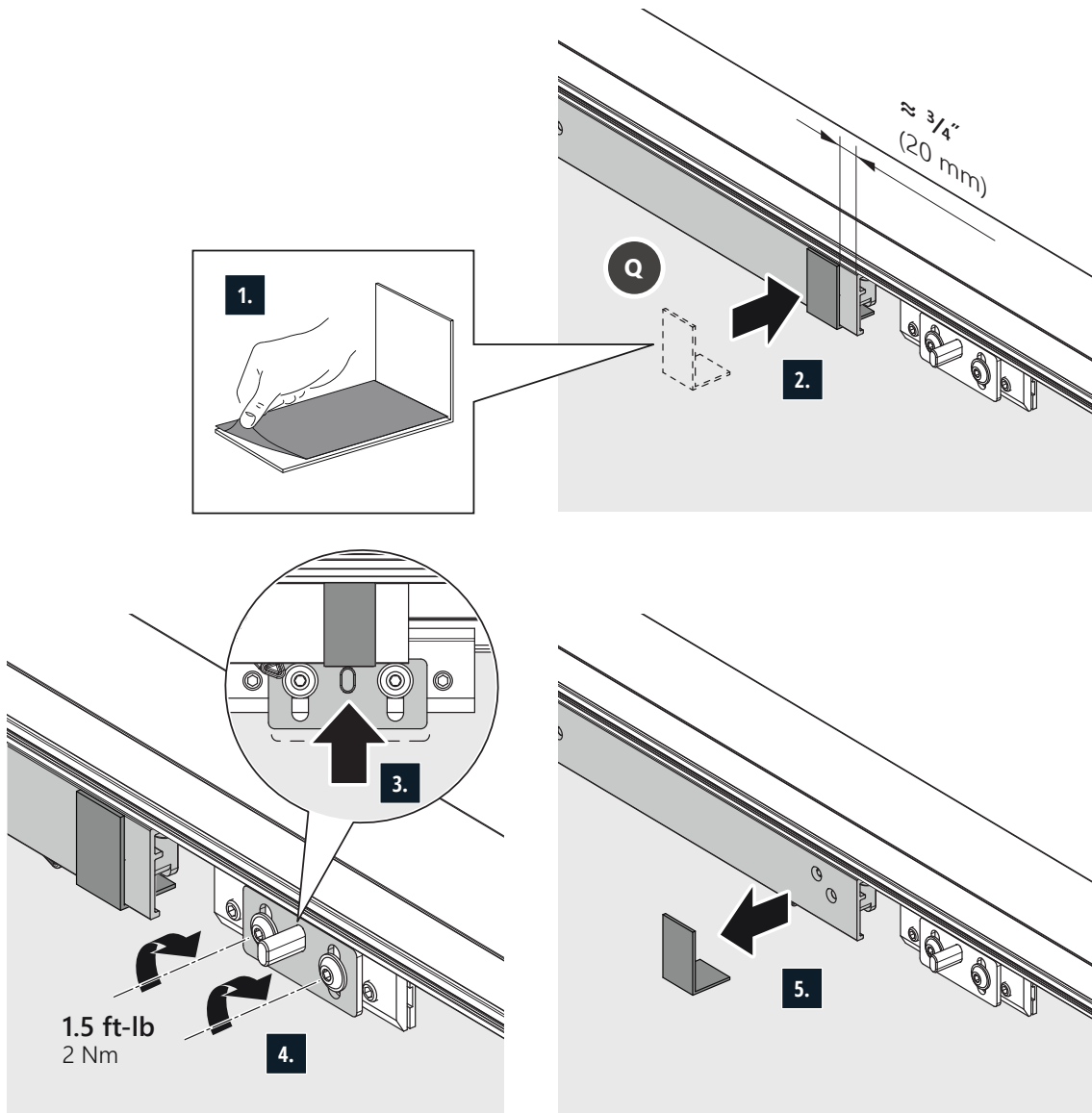


Mounting option: Mounting the Soft-Close from below



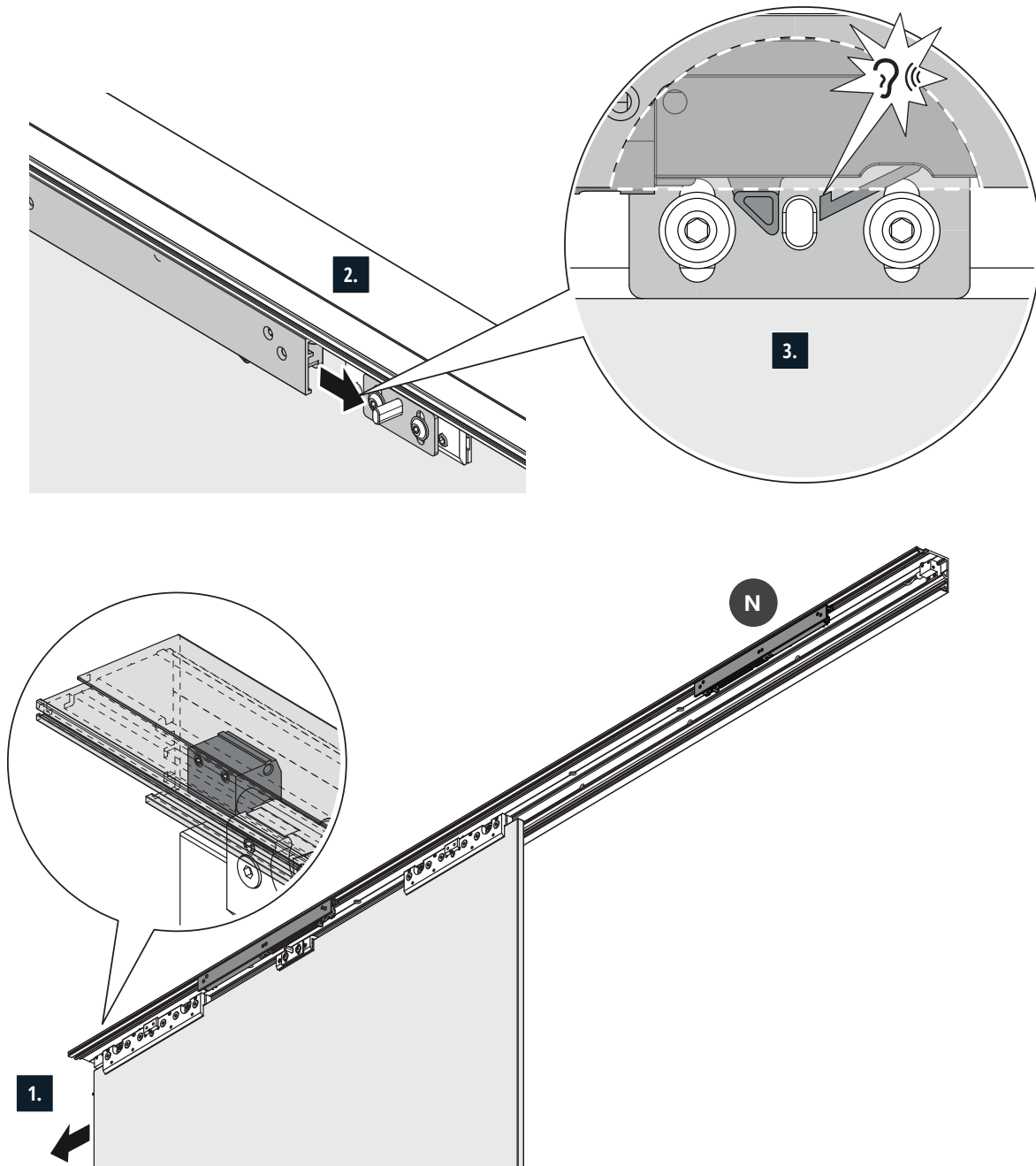
11.2.

With Soft-Close



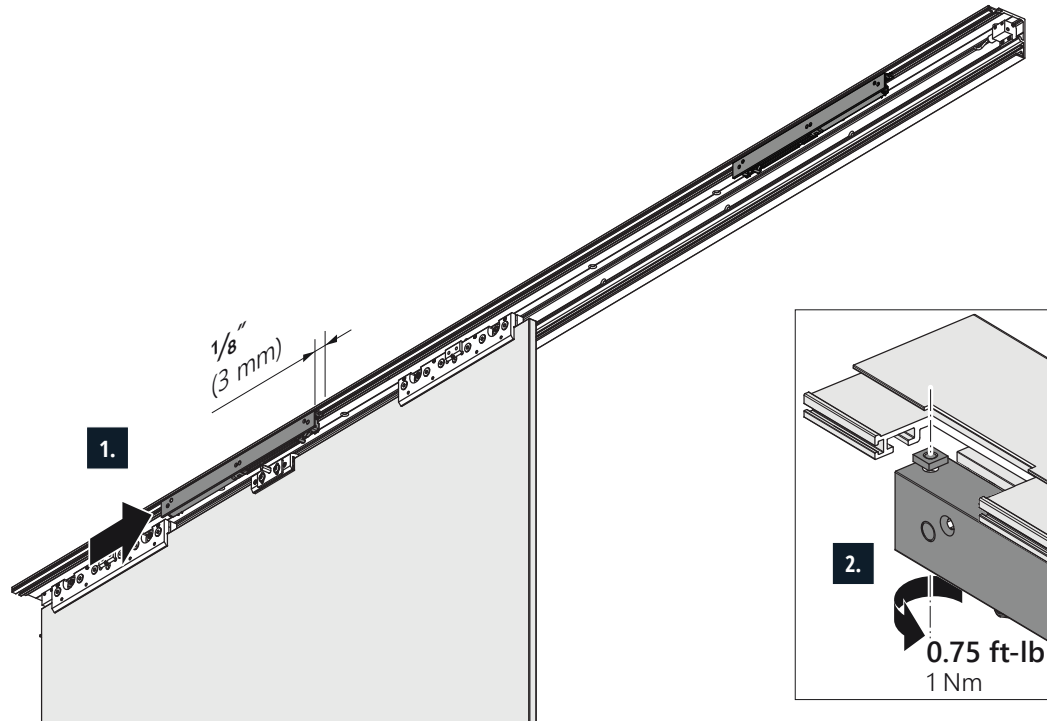
11.3.

With Soft-Close

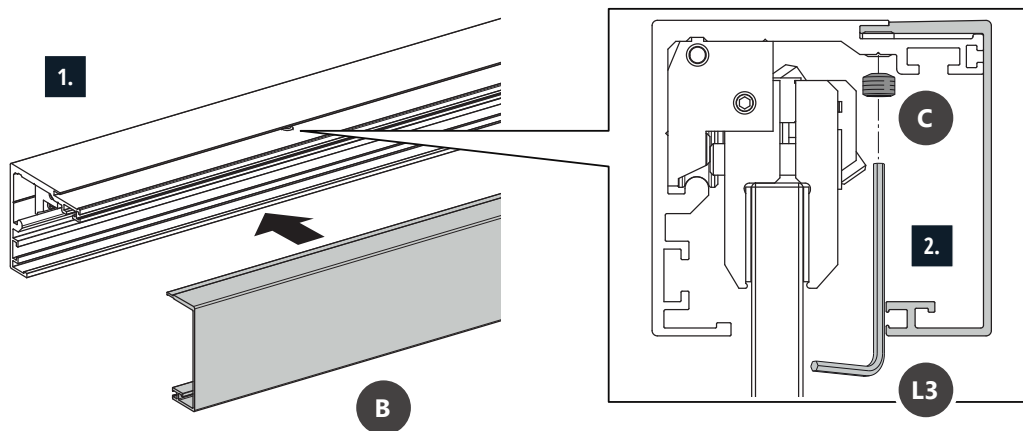


11.4.

With Soft-Close

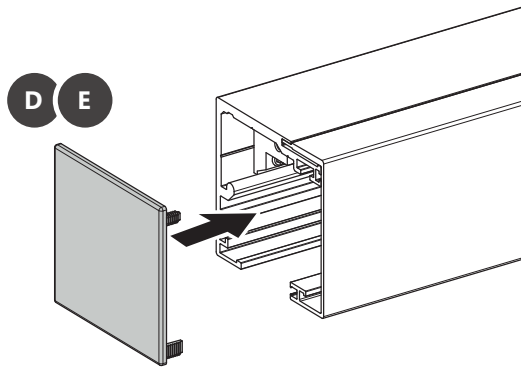


12.

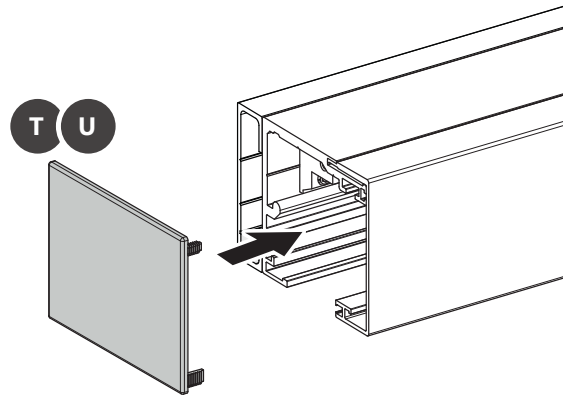


13.

Without distance profile



With distance profile





1901 Tigertail Blvd, Dania Beach, FL 33004

T: 786-791-8557

E: sales@falkenstein-doors.com

07/10/2024